

PRODUCT INFORMATION

[Information presented here could change without prior notice]

TOSHIBA
Leading Innovation >>>

PACK omni mini 2

GX53 base LED downlight

■ Technical data

| Model name | LEDEUD00152S27 | LEDEUD00153S27 |
|-----------------------------|---------------------------|---------------------------|
| EAN code | 4974550478397 | 4974550478403 |
| Cut off | φ100 recessed | φ125 recessed adjustable |
| Trim Colour | White | White |
| Rated Voltage (V) | 220-240 | 220-240 |
| Rated Wattage (W)* | 5.7 | 5.7 |
| Frequency (Hz) | 50 / 60 | 50 / 60 |
| Power Factor* | ≥0.55 | ≥0.55 |
| Luminous Flux(lm)* | 420 | 480 |
| Efficacy (lm/W)* | 73.7 | 84.2 |
| Colour Description | Warm White | Warm White |
| Colour Temperature (K) | 2700 | 2700 |
| Colour Rendering Index (Ra) | ≥80 | ≥80 |
| Lamp beam angle (D) | 100D | 40D |
| UGR | (≥25) | (≥19) |
| Rated Lifetime (h) | 40,000 | 40,000 |
| Lumen Maintenance | 70% at the rated lifetime | 70% at the rated lifetime |
| Dimming | No | No |

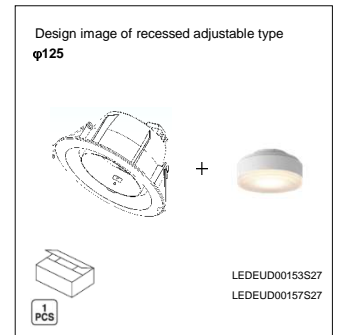
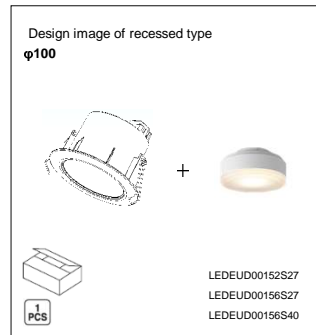
| Model name | LEDEUD00156S27 | LEDEUD00156S40 |
|-----------------------------|---------------------------|---------------------------|
| EAN code | 4974550478410 | 4974550478427 |
| Cut off | φ100 recessed | φ100 recessed |
| Trim Colour | White | White |
| Rated Voltage (V) | 220-240 | 220-240 |
| Rated Wattage (W)* | 8.3 | 8.3 |
| Frequency (Hz) | 50 / 60 | 50 / 60 |
| Power Factor* | ≥0.55 | ≥0.55 |
| Luminous Flux(lm)* | 580 | 620 |
| Efficacy (lm/W)* | 69.9 | 74.7 |
| Colour Description | Warm White | Neutral White |
| Colour Temperature (K) | 2700 | 4000 |
| Colour Rendering Index (Ra) | ≥80 | ≥80 |
| Lamp beam angle (D) | 100D | 100D |
| UGR | (≥25) | (≥25) |
| Rated Lifetime (h) | 40,000 | 40,000 |
| Lumen Maintenance | 70% at the rated lifetime | 70% at the rated lifetime |
| Dimming | No | No |

| Model name | LEDEUD00157S27 |
|-----------------------------|---------------------------|
| EAN code | 4974550478434 |
| Cut off | φ125 recessed adjustable |
| Trim Colour | White |
| Rated Voltage (V) | 220-240 |
| Rated Wattage (W)* | 8.3 |
| Frequency (Hz) | 50 / 60 |
| Power Factor* | ≥0.55 |
| Luminous Flux(lm)* | 660 |
| Efficacy (lm/W)* | 79.5 |
| Colour Description | Warm White |
| Colour Temperature (K) | 2700 |
| Colour Rendering Index (Ra) | ≥80 |
| Lamp beam angle (D) | 40D |
| UGR | (≥19) |
| Rated Lifetime (h) | 40,000 |
| Lumen Maintenance | 70% at the rated lifetime |
| Dimming | No |

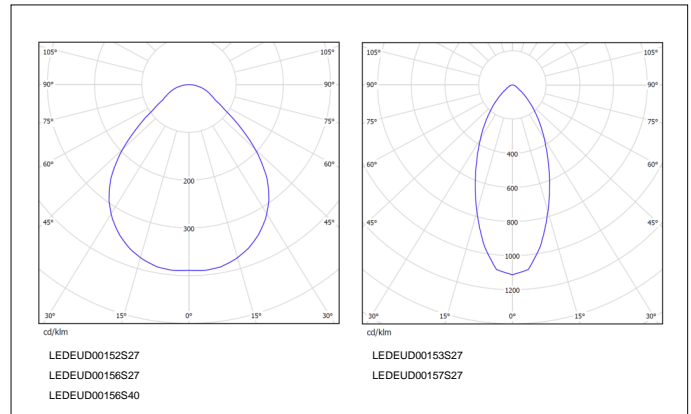
| Model name | LEDEUD00143C | LEDEUD00144C |
|---------------------|-----------------|--------------------------|
| EAN code | 4974550478441 | 4974550478458 |
| Cut off | φ100 recessed | φ125 recessed adjustable |
| Trim Colour | White | White |
| Rated Voltage (V) | 220-240 | 220-240 |
| Rated Wattage (W) | - | - |
| Frequency (Hz) | 50 / 60 | 50 / 60 |
| Dimming | No | No |
| Size | Dia. 116 x H 92 | Dia. 148 x H 90 |
| Weight | 162 | 226 |

■ Product advantage

- Replaceable with CFL downlight: 1 x PL-C 13W or 1 x PL-C 18W
- Lamp is exchangeable:
 - Customers can choose 8 lamps from TOSHIBA GX53 LED lamp x 2 luminaires = 16 variations!
- Compact design
- Energy saving
- 2 types of luminaires available:
 - Recessed
 - Recessed adjustable



■ DISTRIBUTION CURVE



* Values are tentative and subject to change without notice

TOSHIBA LIGHTING & TECHNOLOGY CORPORATION
www.toshiba.eu/newlighting