

⇒ Ted Reed Thanks

## SPECIFICATION OF VACUUM FLUORESCENT DISPLAY

ISE ELECTRONICS CORPORATION SHEET 1/4

To: INTERNATIONAL VERIFACT

DS5170

**iron**  
Type Name DC2025A

Rev.	Spec. No.	Date(M-D-Y)
0	P-R	Apr.-14-92
1	P-R1	Feb.-15-93

## 1. Ratings

Parameter	Symbol	Minimum	Typical	Maximum	Unit
Operating Temp.	T o	-40	-	+85	°C
Storage Temp.	T s	-50	-	+85	°C
Filament Voltage	E f #1	5.4	6.0	6.6	Vac
Grid Voltage	e c #2	-	50.0	60.0	Vp-p
Anode Voltage	e b #2	-	50.0	60.0	Vp-p
Color of illumination	Blue-Green				

## 2. Electrical Characteristics

Parameter	Sym.	Test condition	Minimum	Typical	Maximum	Unit
Filament Current	I f	Ef= 6.0 Vac #1 ec=cb= 0 V	113.0	125.0	138.0	mAac
Grid Current	i c #3	Ef= 6.0 Vac #1 ec= 50.0 Vp-p #2 eb= 50.0 Vp-p #2	-	8.0	16.0	mA <sub>p-p</sub>
Anode Current	i b #3	Ef= 6.0 Vac #1 ec= 50.0 Vp-p #2 eb= 50.0 Vp-p #2	-	4.0	8.0	mA <sub>p-p</sub>
Luminance	L	Ef= 6.0 Vac #1 ec= 50.0 Vp-p #2 eb= 50.0 Vp-p #2	427 (125)	855 (250)	-	cd/m <sup>2</sup> ( fL )
Grid Cut-off Voltage	Ecco #4	Ef= 6.0 Vac #1 Eb= 50.0 Vdc	-5.0	-	-	Vdc
Anode Cut-off Voltage	Ebco #4	Ef= 6.0 Vac #1 ec= 50.0 Vp-p #2	-1.0	-	-	Vdc

# 1 Effective value at 50 or 60 Hz sine wave.

# 2 Test condition. Duty factor(Du)= 1/45

Pulse width(tp)= 100 μsec.

# 3 Unless specified, the grid and anode current are measured per each grid, when all anodes turned on.

# 4 With respect to center-tap. of filament transformer.

This specification is subject to change for improvement without any notice.

#0.4-6-113.0 A AL

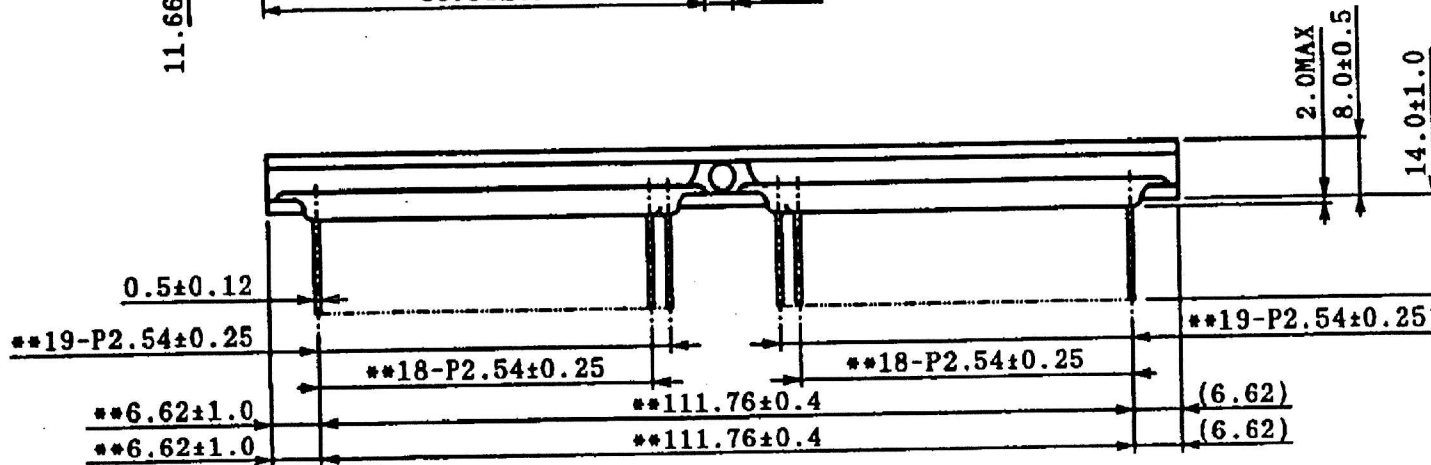
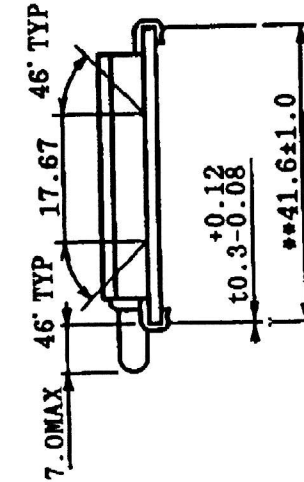
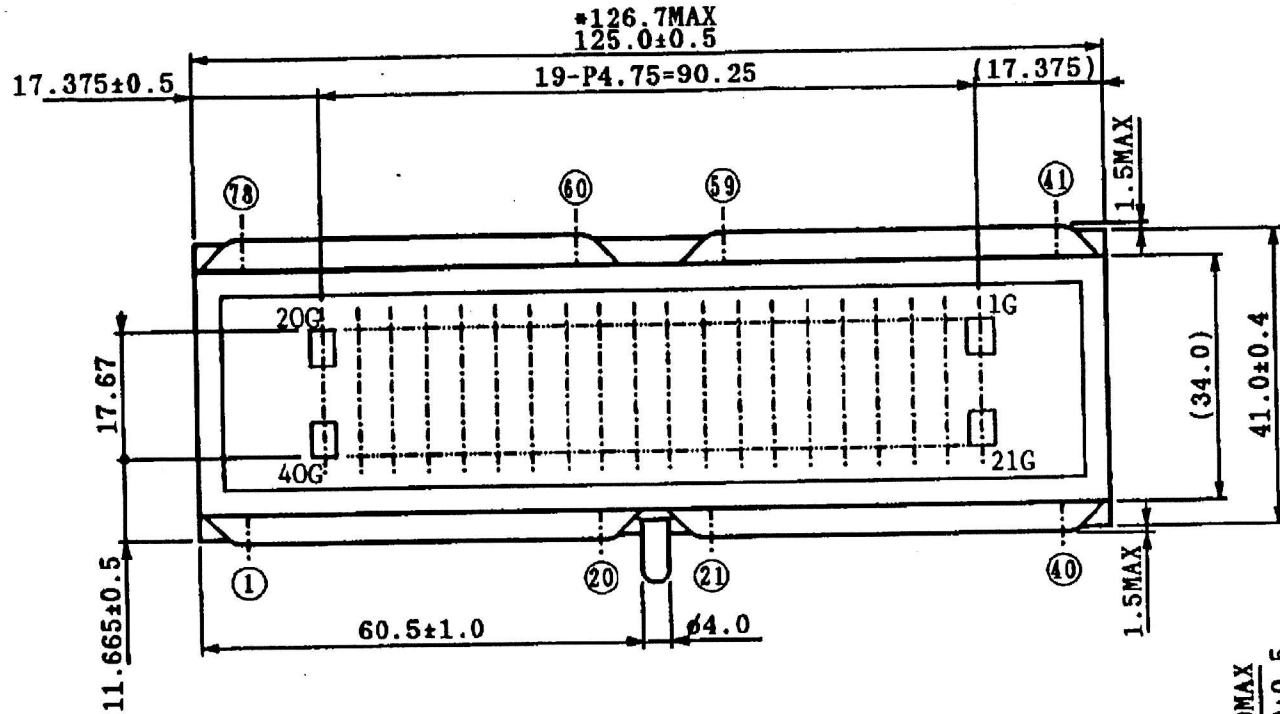
DSA4-27

**itron DC2025A : OUTER DIMENSION**

SHEET 2/4

DS5170  
Unit : mm  
Scale 1:1

( ):Reference only



\*Included extra frit glass.  
\*\*Within 3 mm from bottom of the glass substrate.

Pin Number	1	2	3	4	5	6	7	8	9	10	11	12	13	14	15
Assignment	F	P19	P20	P21	P22	P23	P24	P25	P26	P27	P28	P29	P30	P31	P32

16	17	18	19	20	21	22	23	24	25	26	27	28	29	30
P33	P34	P35	40G	39G	38G	37G	36G	35G	34G	33G	32G	31G	30G	29G

31	32	33	34	35	36	37	38	39	40	41	42	43	44	45
28G	27G	26G	25G	24G	23G	22G	21G	NC	F	P18	P17	P16	P15	P14

46	47	48	49	50	51	52	53	54	55	56	57	58	59	60
P13	P12	P11	P10	P9	P8	P7	P6	P5	P4	P3	P2	P1	1G	2G

61	62	63	64	65	66	67	68	69	70	71	72	73	74	75
3G	4G	5G	6G	7G	8G	9G	10G	11G	12G	13G	14G	15G	16G	17G

76	77	78
18G	19G	20G

DC2025A : Display Pattern

SHEET 3/4

DS5170

Unit : mm

Scale 10:1

