

## WP0.8-12 12Volt 0.8Ah

### Specifications

Nominal Voltage(V) **12V**

#### Nominal Capacity

20 hour rate	(0.04A to 10.50V)	<b>0.8Ah</b>
10 hour rate	(0.076A to 10.50V)	<b>0.76Ah</b>
5 hour rate	(0.136A to 10.20V)	<b>0.68Ah</b>
1 C	(0.8A to 9.60V)	<b>0.45Ah</b>
3 C	(2.4A to 9.60V)	<b>0.32Ah</b>

Weight **Approx. 400g(0.88Lbs.)**

Internal Resistance (at 1KHz) **Approx. 125 mΩ**

#### Maximum Discharge Current for

5 seconds: **12A**

#### Charging Methods at 25°C (77°F)

##### Cycle use:

Charging Voltage **14.4 to 15.0V**

Coefficient **-5.0mv/°C/cell**

Maximum Charging Current : **0.24A**

##### Standby use:

Float Charging Voltage **13.50 to 13.80V**

Coefficient **-3.0mv/°C/cell**

#### Operating Temperature Range

Charge **-15°C (5°F) to 40°C (104°F)**

Discharge **-15°C (5°F) to 50°C (122°F)**

Storage **-15°C (5°F) to 40°C (104°F)**

#### Charge Retention (shelf life) at 20°C (68°F)

1 month	<b>92%</b>
3 month	<b>90%</b>
6 month	<b>80%</b>

Case Material **ABS**

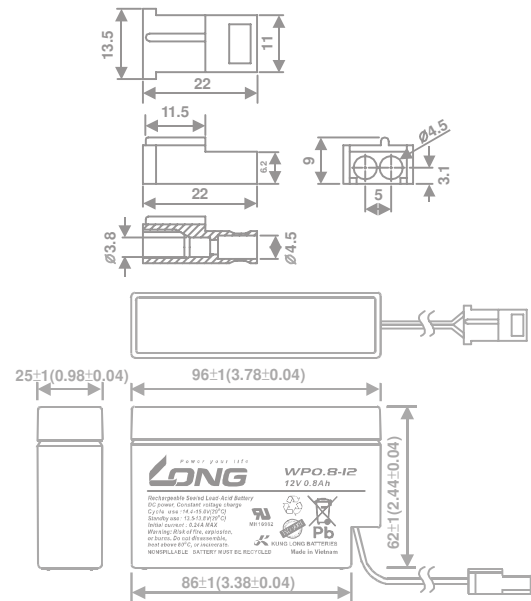
(Option: UL94 HB & UL94 V-0 flame retardant )

Terminal **WIRE**

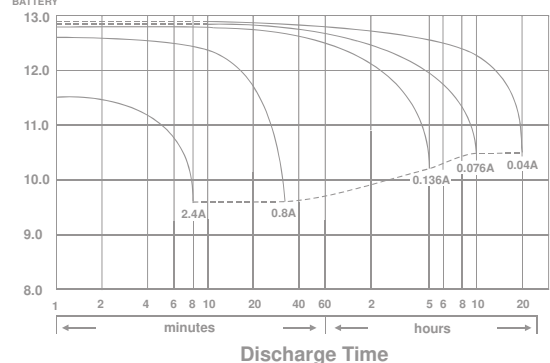


### Dimensions

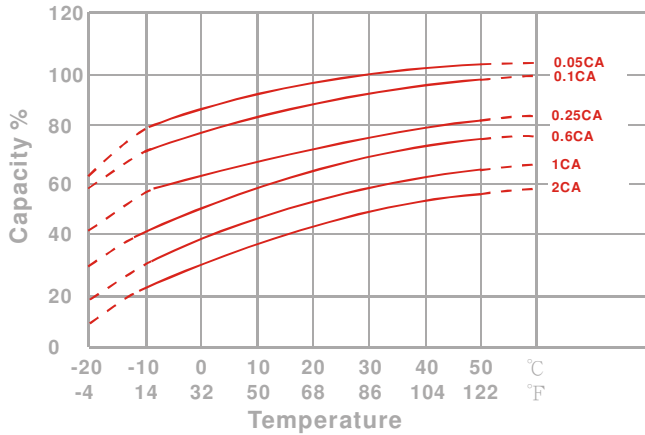
mm(inch)



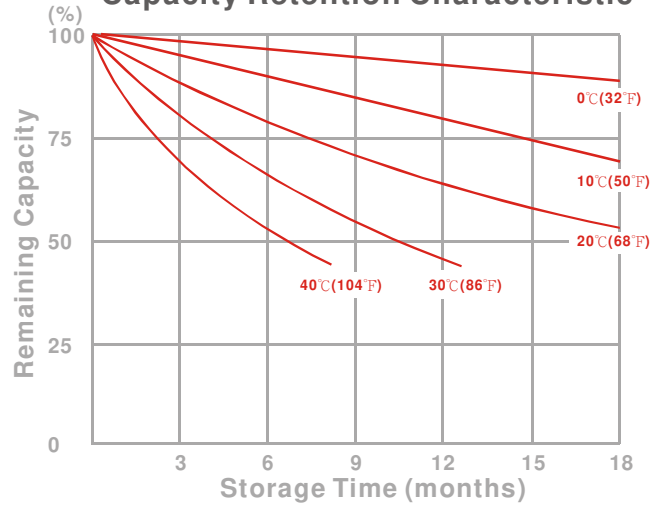
(v) FOR 12V BATTERY Discharge Time VS. Discharge Current (25°C)



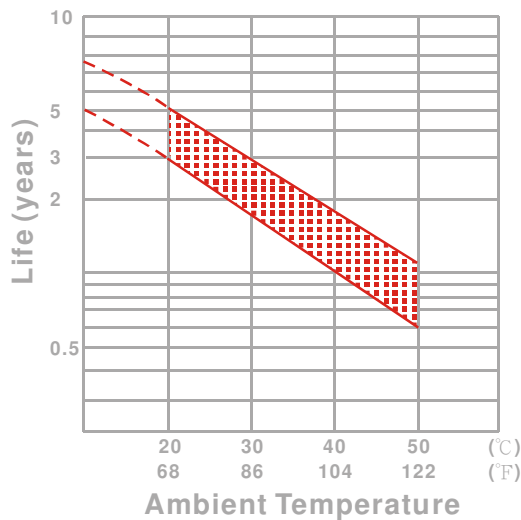
**Effect of Temperature on Capacity 25°C(77°F)**



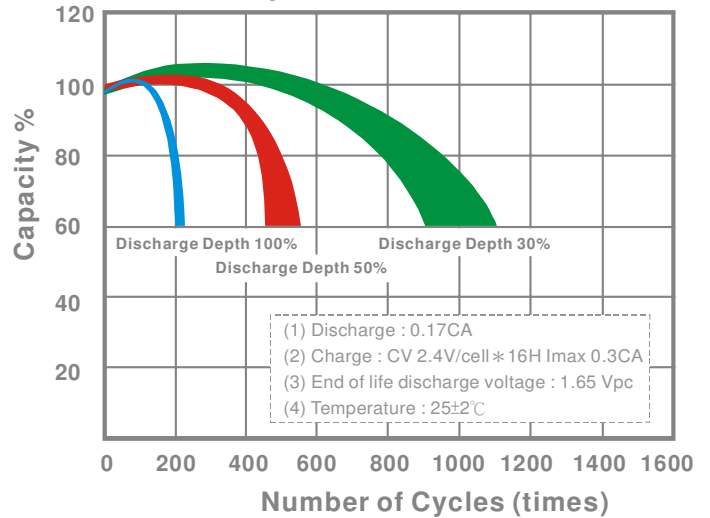
**Capacity Retention Characteristic**



**Trickle (or float) Service Life**



**Cycle Service Life**



210213-1A-DEU0002