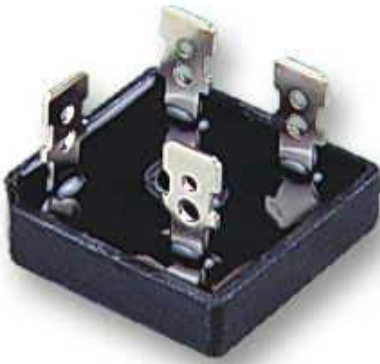


GBPC25, GBPC35 Series

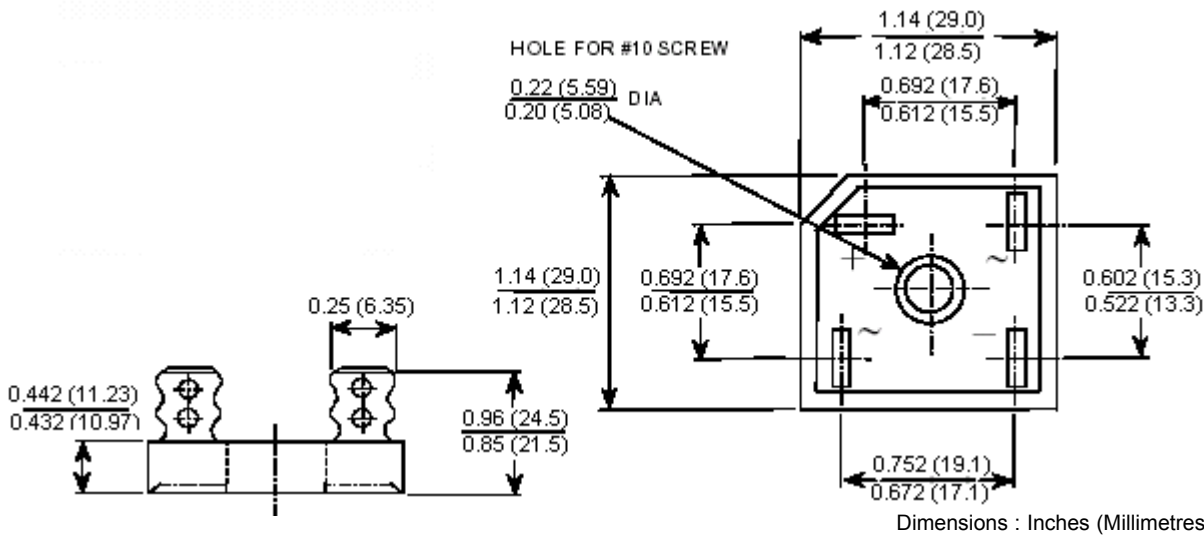
Single Phase Bridge Rectifiers



Features:

- The glass passivation process offers improvements to reliability at high operating temperatures, moisture resistance capability and overall durability.
- Integrally moulded heatsink provided very low thermal resistance for maximum heat dissipation.
- Surge overload rating from 300 amperes to 400 amperes.
- Terminals solderable per MIL-STD-202, Method 208 (For wire type).
- Isolated voltage from case to lead over 2500 volts.

Note: The maximum values of I_O dc quoted are based on the assumption that the device is mounted on a chassis or some form of heatsink.



Maximum Ratings and Electrical Characteristics							
Rating at 25°C ambient temperature unless otherwise specified. Single phase, half wave, 60Hz, resistive or inductive load. For capacitive load, derate current by 20%.							
Type Number	-005	-01	-02	-04	-06	-08	Unit
Maximum Recurrent Peak Reverse Voltage	50	100	200	400	600	800	V
Maximum RMS Voltage	35	70	140	280	420	560	
Maximum DC Blocking Voltage	50	100	200	400	600	800	
Maximum Average Forward Rectified Current at $T_C = 55^\circ\text{C}$	GBPC25		25.0				A
	GBPC35		35.0				
Peak Forward Surge Current, Single Sine-wave Superimposed on Rated Load (JEDEC method)	GBPC25		300				V
	GBPC35		400				
Maximum Instantaneous Forward Voltage Drop Per Element at Specified Current	GBPC25	12.5A	1.1				uA
	GBPC35	17.5A					
Maximum DC Reverse Current at Rated DC Blocking Voltage Per Element			5				°C/W
Typical Thermal Resistance (Note 1) R θ JC			1.5				
Operating and Storage Temperature Range T_J, T_{STG}			-50 to +150				°C

Note: Thermal Resistance from Junction to Case.



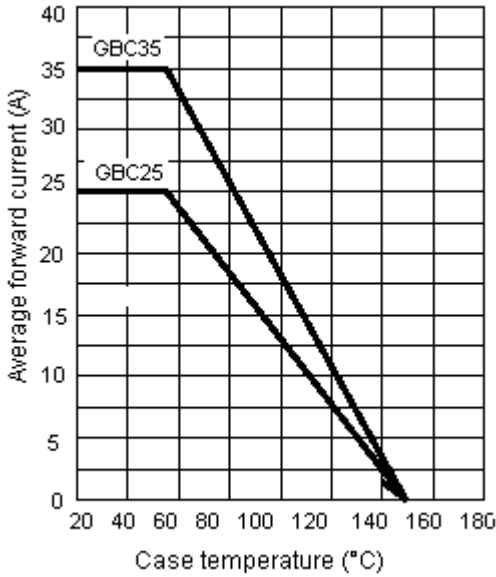
GBPC25, GBPC35 Series

Single Phase Bridge Rectifiers

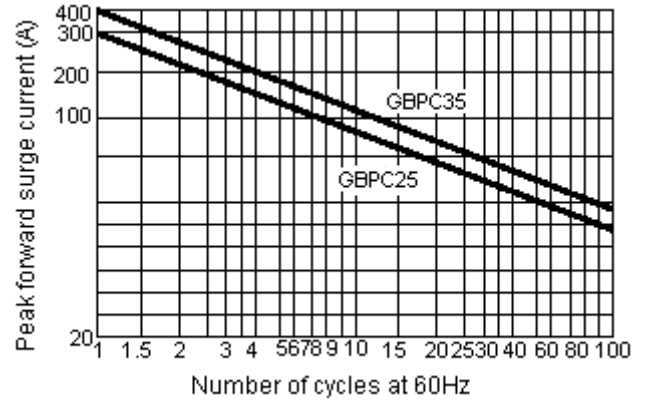


Ratings and Characteristic Curves

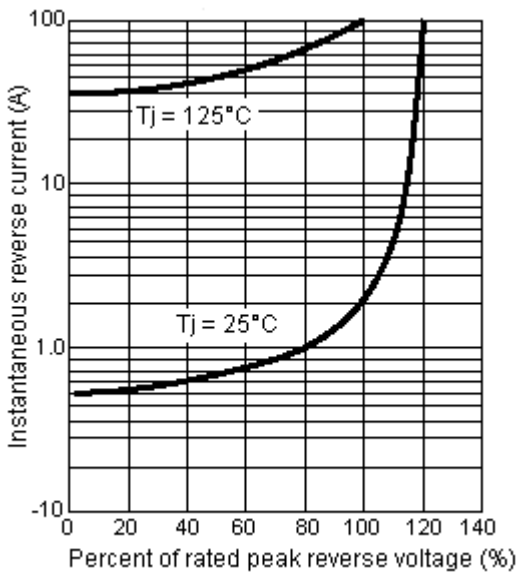
Maximum Forward Current Derating Curve



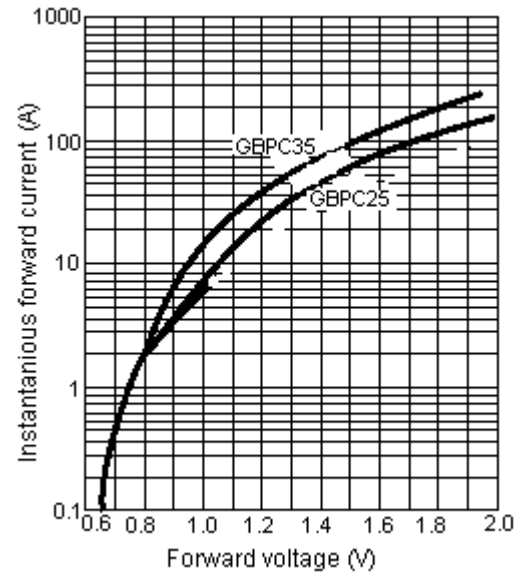
Maximum Non-Repetitive Forward Surge Current per Bridge Element



Typical Reverse Characteristics per Bridge Element



Typical Forward Characteristics per Bridge Element



GBPC25, GBPC35 Series

Single Phase Bridge Rectifiers



Specifications

V_{RRM} (V)	Maximum Input Voltage (V ac)	I_O at 55°C (A)	I_{FSM} (A)	Part Number
50	35	25	300	GBPC25005
100	70			GBPC2501
200	140			GBPC2502
400	280			GBPC2504
600	420			GBPC2506
800	560			GBPC2508
200	140	35	400	GBPC3502
600	420			GBPC3506

GBPC25, GBPC35 Series

Single Phase Bridge Rectifiers



Notes:

International Sales Offices:



AUSTRALIA – Farnell InOne
Tel No: ++ 61 2 9645 8888
Fax No: ++ 61 2 9644 7898



FINLAND – Farnell InOne
Tel No: ++ 358 9 560 7780
Fax No: ++ 358 9 345 5411



NETHERLANDS – Farnell InOne
Tel No: ++ 31 30 241 7373
Fax No: ++ 31 30 241 7333



SWITZERLAND – Farnell InOne
Tel No: ++ 41 1 204 64 64
Fax No: ++ 41 1 204 64 54



AUSTRIA – Farnell InOne
Tel No: ++ 43 662 2180 680
Fax No: ++ 43 662 2180 670



FRANCE – Farnell InOne
Tel No: ++ 33 474 68 99 99
Fax No: ++ 33 474 68 99 90



NEW ZEALAND – Farnell InOne
Tel No: ++ 64 9 357 0646
Fax No: ++ 64 9 357 0656



UK – Farnell InOne
Tel No: ++ 44 8701 200 200
Fax No: ++ 44 8701 200 201



BELGIUM – Farnell InOne
Tel No: ++ 32 3 475 2810
Fax No: ++ 32 3 227 3648



GERMANY – Farnell InOne
Tel No: ++ 49 89 61 39 39 39
Fax No: ++ 49 89 613 59 01



NORWAY – Farnell InOne
Tel No: ++ 45 44 53 66 66
Fax No: ++ 45 44 53 66 02



UK – BuckHickman InOne
++ 44 8450 510 150
++ 44 8450 510 130



BRAZIL – Farnell-Newark InOne
Tel No: ++ 55 11 4066 9400
Fax No: ++ 55 11 4066 9410



HONG KONG – Farnell-Newark InOne
Tel No: ++ 852 2268 9888
Fax No: ++ 852 2268 9899



PORTUGAL – Farnell InOne
Tel No: ++ 34 93 475 8804
Fax No: ++ 34 93 474 5288



UK – CPC
++ 44 8701 202 530
++ 44 8701 202 531



CHINA – Farnell-Newark InOne
Tel No: ++86 10 6238 5152
Fax No: ++86 10 6238 5022



IRELAND – Farnell InOne
Tel No: ++ 353 1 830 9277
Fax No: ++ 353 1 830 9016



SINGAPORE – Farnell-Newark InOne
Tel No: ++ 65 6788 0200
Fax No: ++ 65 6788 0300



EXPORT – Farnell InOne
Tel No: ++ 44 8701 200 208
Fax No: ++ 44 8701 200 209

For enquiries from all other markets



DENMARK – Farnell InOne
Tel No: ++ 45 44 53 66 44
Fax No: ++ 45 44 53 66 06



ITALY – Farnell InOne
Tel No: ++ 39 02 93 995 200
Fax No: ++ 39 02 93 995 300



SPAIN – Farnell InOne
Tel No: ++ 34 93 475 8805
Fax No: ++ 34 93 474 5107



ESTONIA – Farnell InOne
Tel No: ++ 358 9 560 7780
Fax No: ++ 358 9 345 5411



MALAYSIA – Farnell-Newark InOne
Tel No: ++ 60 3 7873 8000
Fax No: ++ 60 3 7873 7000



SWEDEN – Farnell InOne
Tel No: ++ 46 8 730 50 00
Fax No: ++ 46 8 83 52 62

<http://www.farnellinone.com>

<http://www.buckhickmaninone.com>

<http://www.cpc.co.uk>

Disclaimer This data sheet and its contents (the "Information") belong to the Premier Farnell Group (the "Group") or are licensed to it. No licence is granted for the use of it other than for information purposes in connection with the products to which it relates. No licence of any intellectual property rights is granted. The Information is subject to change without notice and replaces all data sheets previously supplied. The Information supplied is believed to be accurate but the Group assumes no responsibility for its accuracy or completeness, any error in or omission from it or for any use made of it. Users of this data sheet should check for themselves the Information and the suitability of the products for their purpose and not make any assumptions based on information included or omitted. Liability for loss or damage resulting from any reliance on the Information or use of it (including liability resulting from negligence or where the Group was aware of the possibility of such loss or damage arising) is excluded. This will not operate to limit or restrict the Group's liability for death or personal injury resulting from its negligence. Multicomp is the registered trademark of the Group. © Premier Farnell plc 2004.

