



## 1. Product Feature

- Light source: TOP 3014LED, no spot, low depreciation, good consistency;
- Low power consumption, high brightness, long lifespan, maintenance-free;
- Unique waterproof system for outdoor using, IP20;
- DC 12 low voltage input, the use of safe and reliable;
- 66 groups of 1 meter, 1 group of 15.15mm, single group can cut;
- wide viewing separable flexible strip to be bent into any shape;
- 1 meters weight 7g;
- 24AWG silicone wire, flow capacity, small attenuation;
- there is TESA double side adhesive tape on the backside for easy installation.

## 2. Applications

Widely used in the furniture light, advertising signs, light boxes, home lighting and other light-emitting occasion

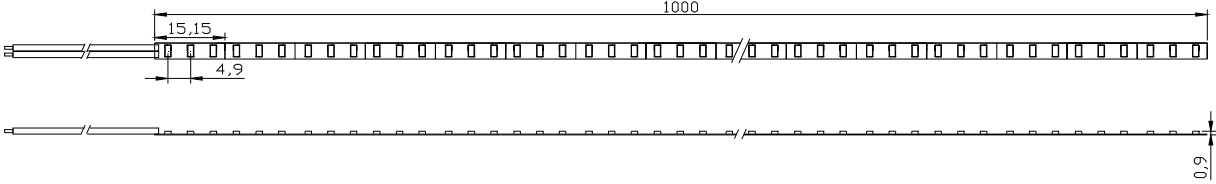
## 3. Optical Parameter

Model	Color	Color Temp	luminous flux	Viewing Angle
FS3014UW-198-12VN	White	5000~6000K	1584 LM±10%	120°
FS3014UWY-198-12VN	Warm White	2800-3200K	1584LM±10%	
FS3014UWN-198-12VN	Neutral White	4000~4500K	1584 LM±10%	

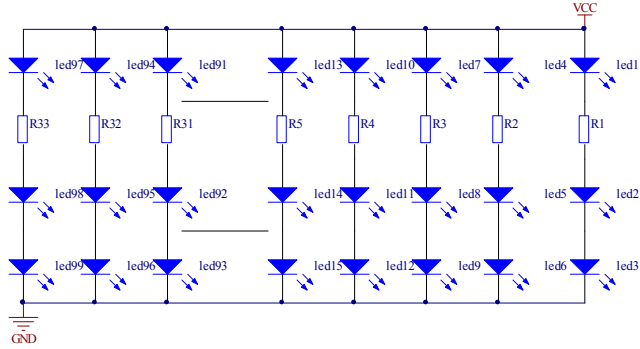
## 4. Electrical parameters and using the environment

NO.	Items	Specification
1	Input voltage	DC12V
2	Power(1 meters)	15.84W (typ)
3	LED Qty(1 meters)	198PCS
4	Standard meter	5MTS
5	Protecting rating	IP20
6	Working temperature	-20~+40°C
7	Storage temperature	-40~+60°C
8	Life span	3 year/15000H

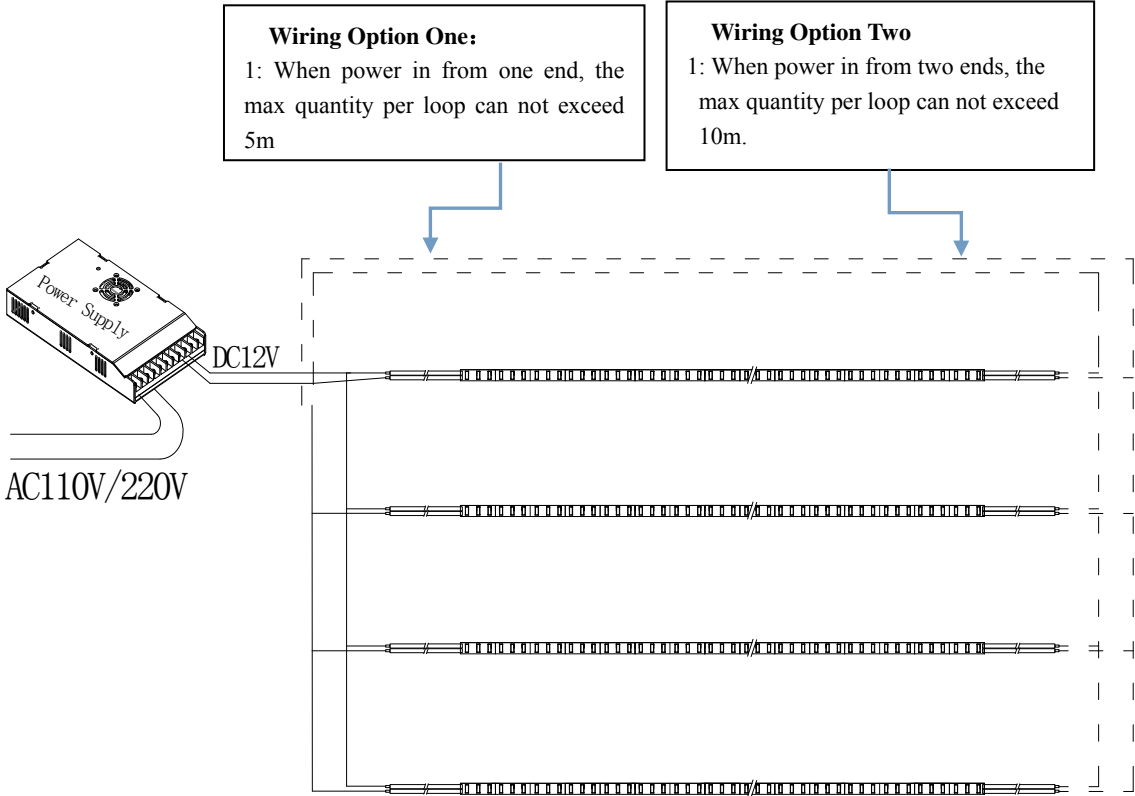
### 5. Drawing (1meter Unit: mm)



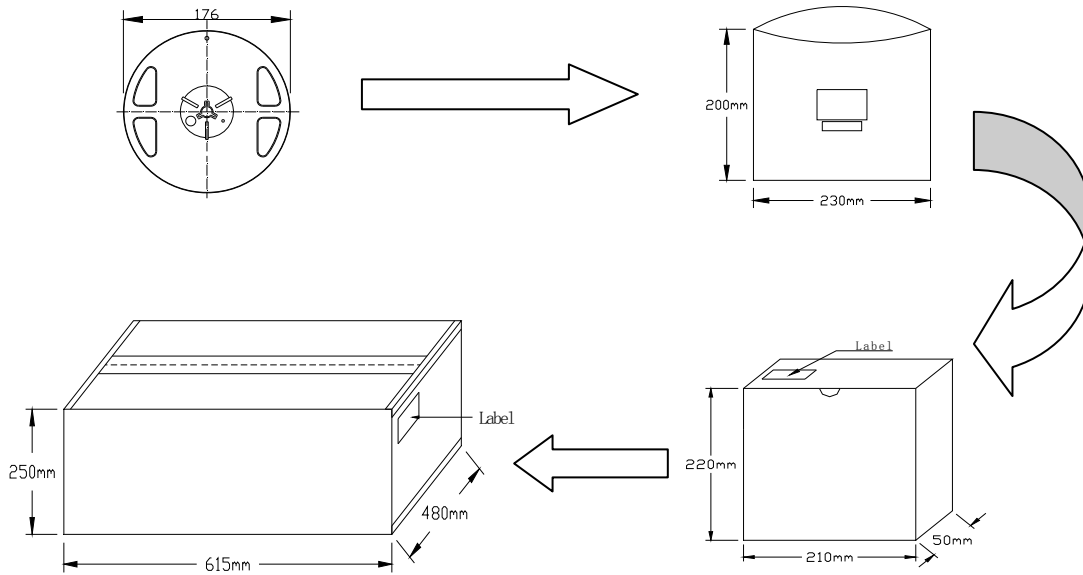
### 6. Schematic Diagram:



### 7. Installation Drawing:



## 8. Packing:



Note: 5 meters/reel, 2 reels/antistatic bag, 4 antistatic bags/box, 20 inner boxes/export carton;

## 9. Instructions:

- Please use this product with 12V DC. The LED strip does not have protection against short circuit overload or overheating. Therefore it is absolutely necessary to operate the strips with an electronically stable power supply offering protection against the above mentioned safety risks ;
- There is TESA double side adhesive tape on the backside for easy installation. Care must be taken to provide a clean and dry surface. The mounting substrate must have sufficient structural integrity. Take care to completely remove the protective backing. Once the strip is appropriately positioned, press on the strip to fasten it ;
- Can be cut out every 3 LED's at 50 mm without damaging the rest of the strip;
- The wire with gray line is anode, while the white is cathode. Wrong polarity will lead to no light emission only; the strip will not be destroyed. What only needs to is to correct polarity;
- Cut off the bared wires if there is any, and use electrical insulation tape or wiring end cap to insulate the end of the wires to prevent short circuits;
- Installation of LED strips (with power supplies) should be made with regard to all applicable electrical and safety standards. Only qualified personnel should be allowed to perform installations;
- This must be used on the metal surface;
- Only qualified personnel should be allowed to perform installations.