

3EQ1

SAFETY ORGANIZATION(S):

THIS FILTER HAS BEEN FORMALLY RECOGNIZED, CERTIFIED OR APPROVED BY THE LISTED AGENCY. THEREFORE, ALL TEST/REQUIREMENTS SPECIFIED IN THE LATEST REVISION OF THE FOLLOWING AGENCY STANDARDS HAVE BEEN MET.

UL RECOGNIZED
CSA CERTIFIED
VDE APPROVED
SEV APPROVED

UL 1283
CSA 22.2, NO.0,0.4,8
VDE 565-3
SEV 1055/TP1977/5.1.1

OPERATING SPECIFICATIONS:

LINE VOLTAGE/CURRENT: 3 AMP, 120/250 VAC
2 AMP./40°C, 250 VAC
LINE FREQUENCY: 50-60Hz

MAX. LEAKAGE CURRENT, EACH: .25 mA at 120V 60Hz
LINE TO GROUND: .42 mA at 250V 50Hz

OPERATING AMBIENT TEMP. RANGE: -10°C TO +40°C @ RATED CURRENT, I_r

IN AN AMBIENT, T_a, HIGHER THAN 40°C, THE MAXIMUM OPERATING CURRENT, I_o, IS AS FOLLOWS:

$$I_o = I_r \sqrt{\frac{85 - T_a}{45}}$$

RELIABILITY SPECIFICATIONS:

STORAGE TEMPERATURE: -40°C TO +85°C
HUMIDITY: 21 DAYS @ 40°C 95% RH
CURRENT OVERLOAD TEST: 6 TIMES RATED CURRENT FOR 8 SECONDS

TEST SPECIFICATIONS:

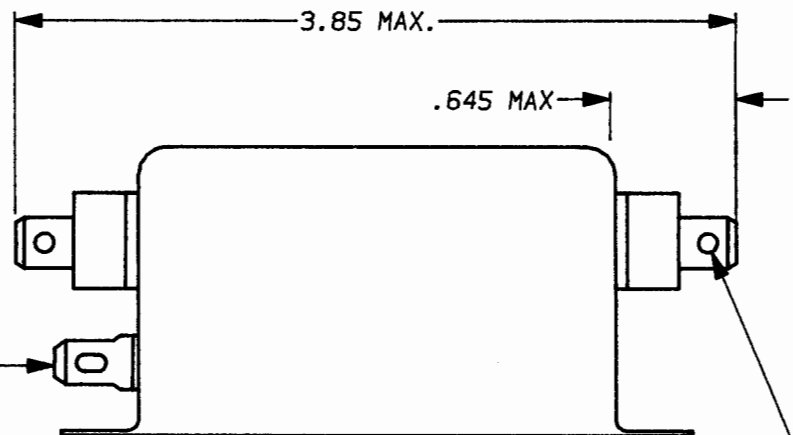
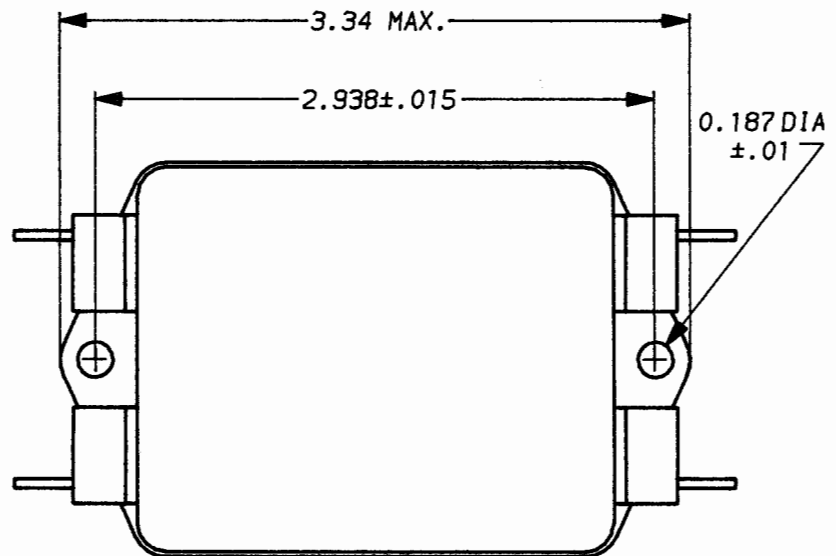
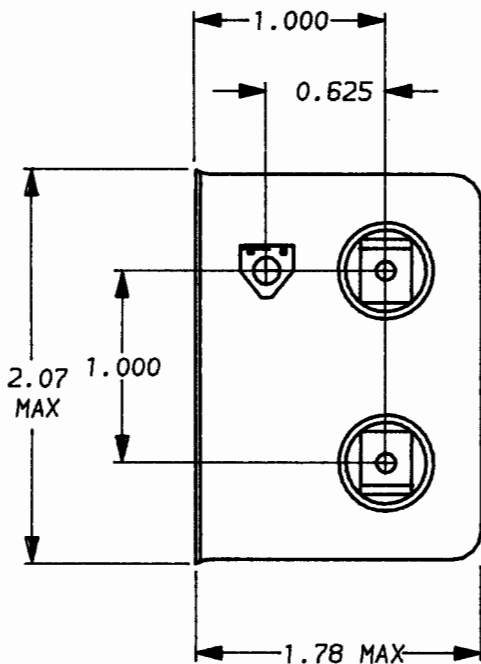
INDUCTANCE: 32.18 mH NOMINAL
CAPACITANCE, MEASURED @ 1 KHz, 0.25VAC MAX., 25°C±1°C)
LINE TO GROUND: .006 μF ±20%
LINE TO LINE: 1.08 μF ±20%
DISCHARGE RESISTOR: 270KΩ
LINE/GROUND AND LINE/LINE: 6000MΩ (MIN) AT 100VDC
INSULATION RESISTANCE: 20°C AND 50% RH

RECOMMENDED RECEIVING INSPECTION HIPOT:

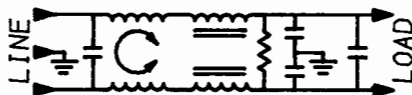
LINES TO GROUND: 2250 VDC FOR 1 MINUTE
LINE TO LINE: 1450 VDC FOR 1 MINUTE

FILTER APPROVAL:

THE BEST WAY TO SELECT AND QUALIFY A FILTER IS FOR YOUR ENGINEERING TO TEST THE UNIT IN YOUR EQUIPMENT.



.250 FASTONS (5 PLACES)



50Ω - 50Ω (MINIMUM) INSERTION LOSS

| FREQUENCY MHz | .01 | .015 | .02 | .05 | .15 | .5 | 1 | 2 | 5 | 10 | 20 | 30 |
|---------------|-----|------|-----|-----|-----|----|----|----|----|----|----|----|
| COMMON dB | 22 | 25 | 27 | 36 | 47 | 47 | 43 | 44 | 45 | 45 | 45 | 45 |
| DIFF. dB | 1 | 2 | 17 | 42 | 65 | 75 | 75 | 70 | 65 | 65 | 62 | 60 |

UNLESS OTHERWISE SPECIFIED, TOLERANCE TO BE ±.025
MATERIAL & FINISH: AS SUPPLIED
This document is proprietary to CORCOM INC. and is not to be reproduced nor used for manufacturing purposes except on CORCOM'S prior written consent.

corcom
LIBERTYVILLE, IL 60048

POWER LINE FILTER

DATE: 9-30-93

CATALOG NO.

APPROV. TAM

3EQ1

CAD NO.

3EQ1.05