

**SPECIFICATION:**

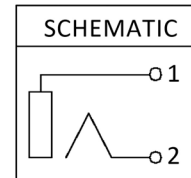
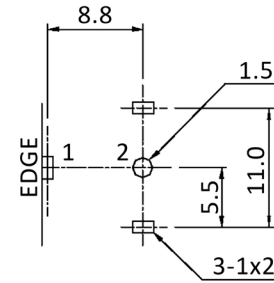
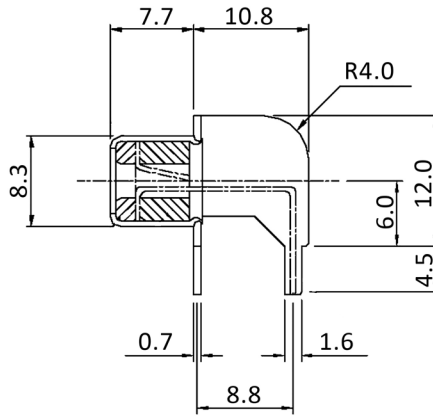
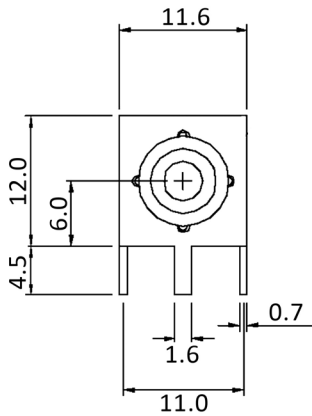
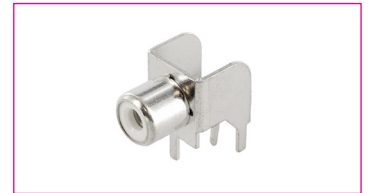
Operating Voltage (Max.):	12 V
Operating Current (Nom.):	2 A
Contact Resistance (Max.):	30 mΩ
Insertion Force (Max.):	3 N to 30 N
Extraction Force:	3 N to 30 N

**MATERIAL:**

Material (Terminal):	brass, tin plated
Material (Housing):	brass, nickel plated
Flammability Class:	UL 94 V-0
Material (Contact Area):	brass, tin plated

**TOLERANCE:**

.X:	± 0.25
-----	--------



**Order Information**

Identifier:

CBP

RCA socket open frame

Insulator Colour:

#

empty: black \*

WS: white