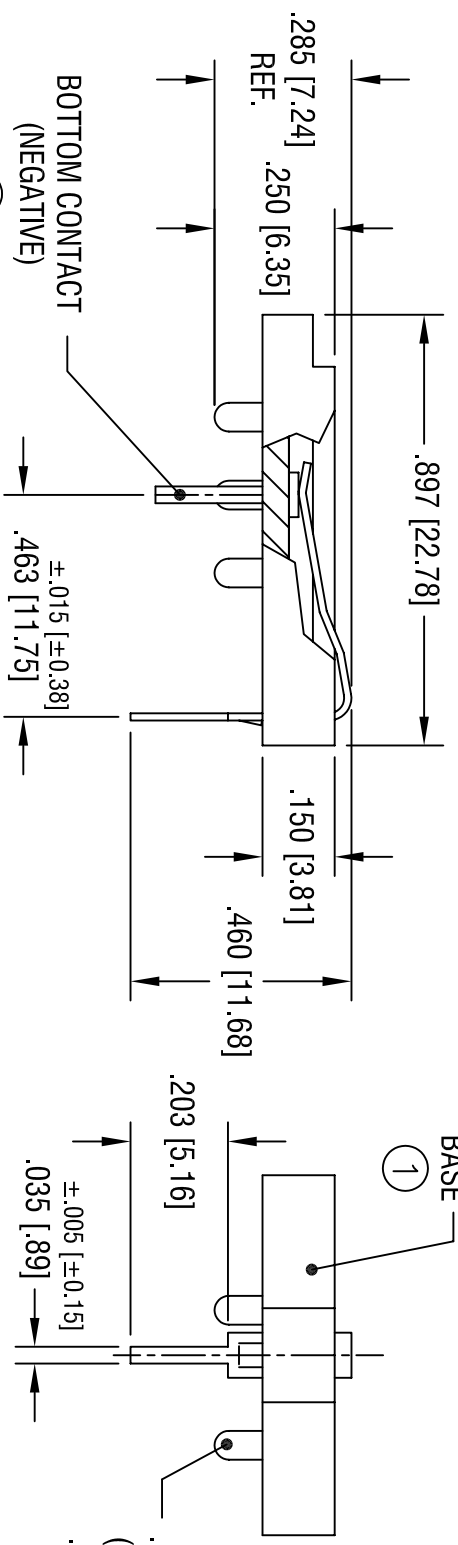
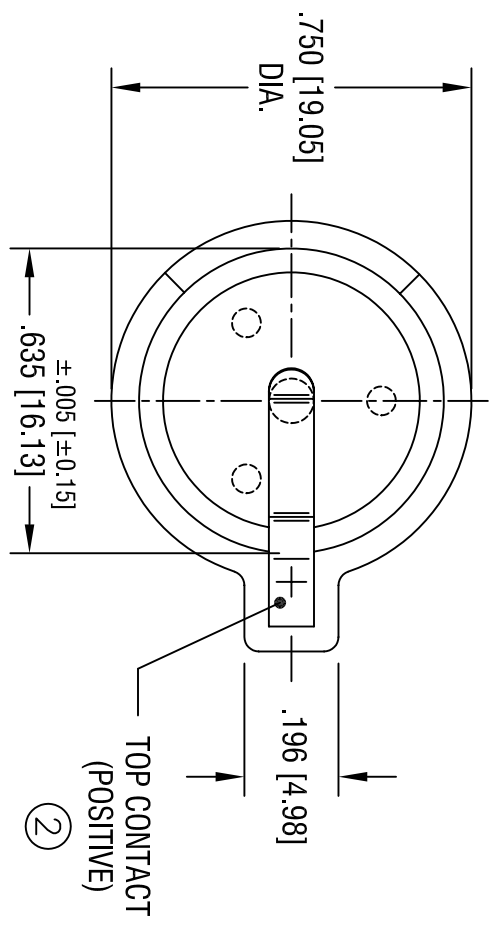


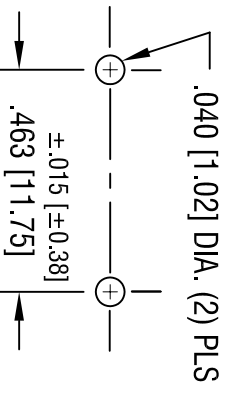
DATE	DESCRIPTION	REV.
2.9.05	CHANGE AS PER ECN 05-014	E



BASE (1)
 .060 [1.52] DIA. LEG
 (3) PLS ON
 .375 [2.52] CIRCLE DIA.

THIS DOCUMENT IS THE PROPERTY OF KEYSTONE ELECTRONICS CORP. AND SHALL NOT BE REPRODUCED, DISTRIBUTED OR USED AS A BASIS FOR MANUFACTURE WITHOUT PRIOR WRITTEN PERMISSION FROM KEYSTONE ELECTRONICS CORP.

MOUNTING DETAIL



ITEM	DESCRIPTION/MATERIAL
(1)	BASE, BLACK PBT (UL 94V-0)
(2)	TOP CONTACT .015 [0.38] THK SPRING STEEL
(3)	BOTTOM CONTACT .035 [0.89] DIA, STEEL

FINISH
TIN NICKEL PLATE

KEYSTONE ELECTRONICS CORP.		ASTORIA, N.Y. 11105-2017	
PART NAME		16mm PC BATTERY HOLDER	
MATERIAL		AS NOTED	
FINISH	AS NOTED	DRN BY	BOONE
DATE	1.4.91	App'd	SCALE
2.5X			
TOLERANCES	INCH [MM]	CODE	DWG NO.
DECIMAL	± .010 [± 0.25]	C	502
ANGULAR	± 1°		
UNLESS OTHERWISE SPECIFIED			