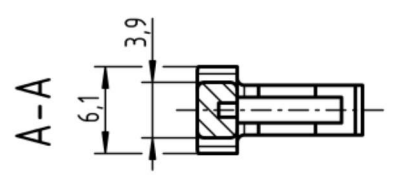
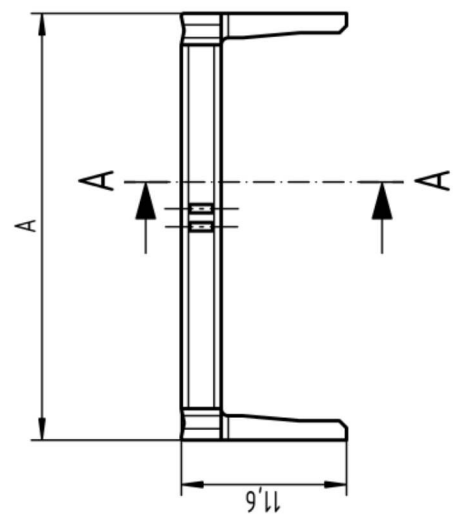
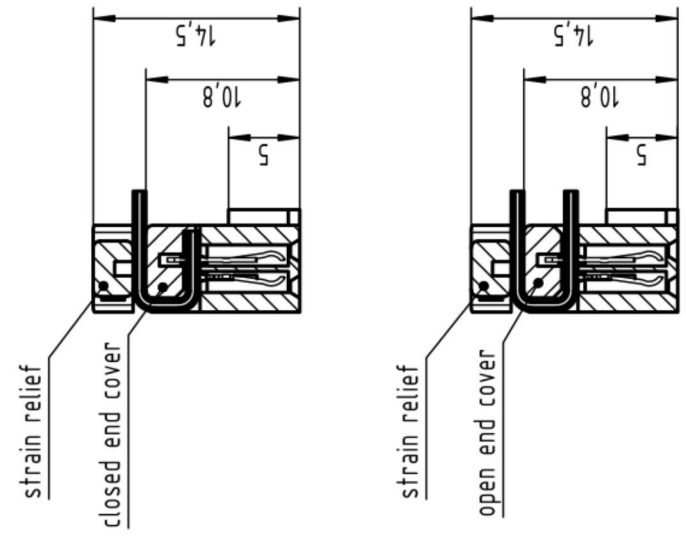


1 2 3 4 5 6

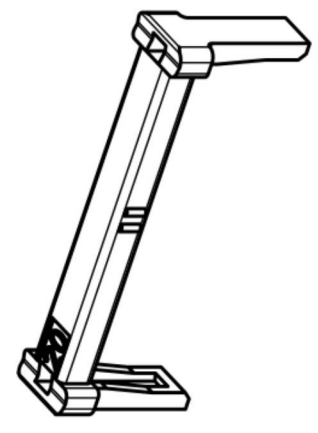
A B C D




assembled



full range of P/N's and dimensions shown on page 2/2



| | | | | |
|---|--|-----------------------------|--------------------------------|---|
| | All Dimensions in mm Original Size DIN A4 | Scale 2:1 | Free size tol. IEC 60603-13 | Ref. Sub. |
| | All rights reserved Department EC PD - DE | Created by STORCK | Inspected by LEHNERT | Date 2016-06-14 |
| HARTING Electronics GmbH D-32339 Espelkamp | Title SEK 18 strain relief | Standardisation HOFFMANN | | State Final Release |
| Type TB | | | Number 09185XX9002 | Doc-Key / ECM-Nr. 100631528/UGD/001/A 50000105326 |
| Rev. A | | | | Page 1/2 |

| | | | | | | | | | |
|---|--|--------------------|------------------------------|------------------------------|-----------------------------|--------------------|------------------------|-------------------------------|--|
| | 1 | 2 | 3 | 4 | | | | | |
| A | | | | | | | | | |
| B | | | | dimension | | | | | |
| | no. of contacts | part number | remark | A | | | | | |
| | 06 | 09 18 506 9002 | - | 12,2 | | | | | |
| | 10 | 09 18 510 9002 | | 17,3 | | | | | |
| | 14 | 09 18 514 9002 | | 22,4 | | | | | |
| | 16 | 09 18 516 9002 | | 24,9 | | | | | |
| | 20 | 09 18 520 9002 | | 30,0 | | | | | |
| | 26 | 09 18 526 9002 | | 37,6 | | | | | |
| | 30 | 09 18 530 9002 | | 42,7 | | | | | |
| | 34 | 09 18 534 9002 | | 47,8 | | | | | |
| C | 40 | 09 18 540 9002 | | 55,4 | | | | | |
| | 50 | 09 18 550 9002 | | 68,1 | | | | | |
| | 60 | 09 18 560 9002 | | 80,8 | | | | | |
| | 64 | 09 18 564 9002 | | 85,9 | | | | | |
| | 06 | 09 18 506 9002 58U | | bulk packaging - 5000 pieces | 12,2 | | | | |
| | 10 | 09 18 510 9002 58U | | | 17,3 | | | | |
| | 14 | 09 18 514 9002 58U | 22,4 | | | | | | |
| | 16 | 09 18 516 9002 58U | 24,9 | | | | | | |
| | 20 | 09 18 520 9002 58U | 30,0 | | | | | | |
| | 26 | 09 18 526 9002 58U | 37,6 | | | | | | |
| D | 30 | 09 18 530 9002 58U | bulk packaging - 3000 pieces | 42,7 | | | | | |
| | 34 | 09 18 534 9002 58U | | 47,8 | | | | | |
| | 40 | 09 18 540 9002 58U | | 55,4 | | | | | |
| E | | | | | | | | | |
| F |  All rights reserved Department EC PD - DE | | Created by STORCK | Inspected by LEHNERT | Standardisation HOFFMANN | Date 2016-06-14 | State Final Release | Title SEK 18 strain relief | Doc-Key / ECM-Nr. 100631528/UGD/001/A 500000105326 |
| | HARTING Electronics GmbH D-32339 Espelkamp | | Type TB | Number 09185XX9002 | | Rev. A | Page 2/2 | | |