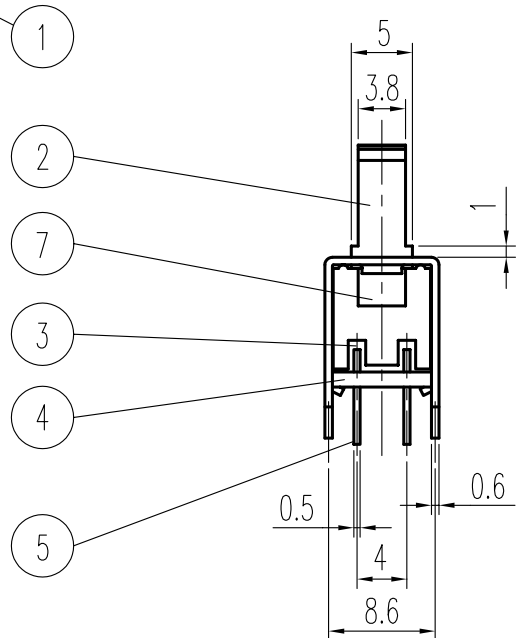
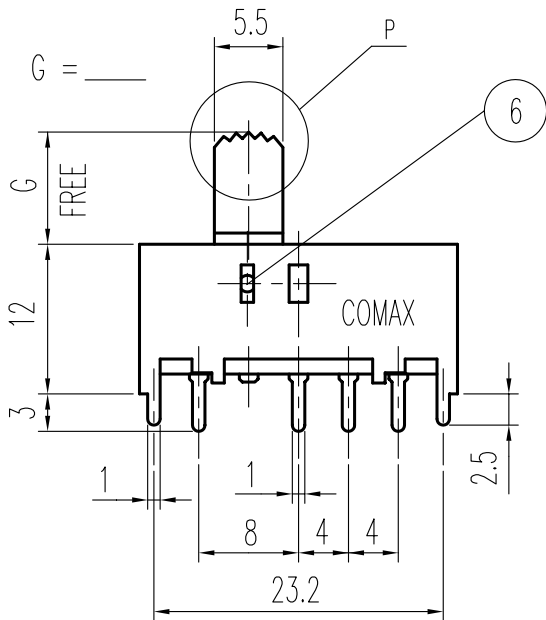


P位放大图5:1



2P - 3T

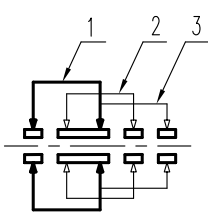
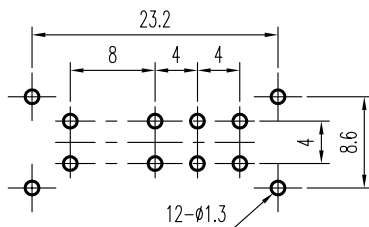


示意图 SCHEMATIC



安装孔 PIERCING PLAN

④ 规格 Specifications

额定负荷 Ratings	DC 30 V 0.3 A
初期接触电阻 Initial Contact Resistance	30 mΩ Max.
绝缘电阻 Insulation Resistance	DC500V 60 Sec. 100 MΩ Min.
抗电强度 Dielectric	AC 500 V (50~60HZ) 60 Sec.
操作力 Operating Force (gf)	A → B B → C
	C → B B → A
负荷寿命 Operating Life With Load	200±100 350±150
	10,000 次 Cycles

7	弹簧 SPRING	STEEL	1	NATURAL
6	钢珠 STEEL BALL	STEEL	2	NATURAL
5	端子 TERMINAL	C2680R ④	8	Ag PLATED
4	基板 TERMINAL BASE	PHENOL RESIN	1	BLACK
3	接触片 CONTACT PLATE	C5210R ④	2	Ag CLAD
2	胶柄 KNOB	P O M	1	G 2 - 15
1	铁壳 FRAME	S P C C	1	Ni PLATED BLACKENED ④
序NO.	零件 PART	材料 MATERIAL	数量 QTY	备注 REMARKS

A01	ADD: 规格 Specifications 见 ④	王光云	06-03-25
	C5210R-EH/Ag CLAD → C5210R 见 ④		
	C2680R-EH → C2680R 见 ④		
01	ADD: BLACKENED 见 ④	赖立辉	25 JUL 92
标号 REV	内容 DESCRIPTION	签名 SIGN.	日期 DATE
DWG NO. ITEM1002			

TOLERANCES UNLESS OTHERWISE SPEC.		TITLE	SLIDE SWITCH		ITEM NO	SS-23H02-G	
UNDER 1	± 0.10	DRAWN	王光云	06-03-25	VERSION	A01	PAGE 1 OF 1
1 - 10	± 0.30	REVIEWED	方勇 (代)	06-03-26	SCALE	2 : 1	UNIT mm
OVER 10	± 0.50	APPROVED	刘瑞富 (代)	06-03-26	PROJECTION		

**COMAX** ELECTRONICS (HUIZHOU) CO.,LTD.