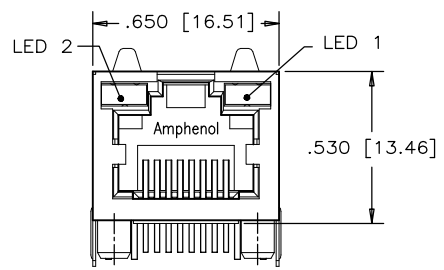
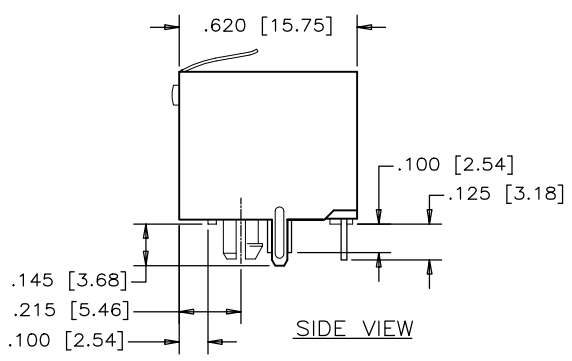


REVISIONS				
SYM	ZONE	ECN, ERN NO.	DATE	APPRD.
D		REVISED PROPOSAL	01/05/31	

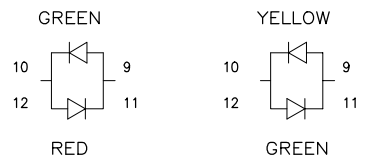
THIS IS A CAD DRAWING. DO NOT MANUALLY REVISE.



FRONT VIEW

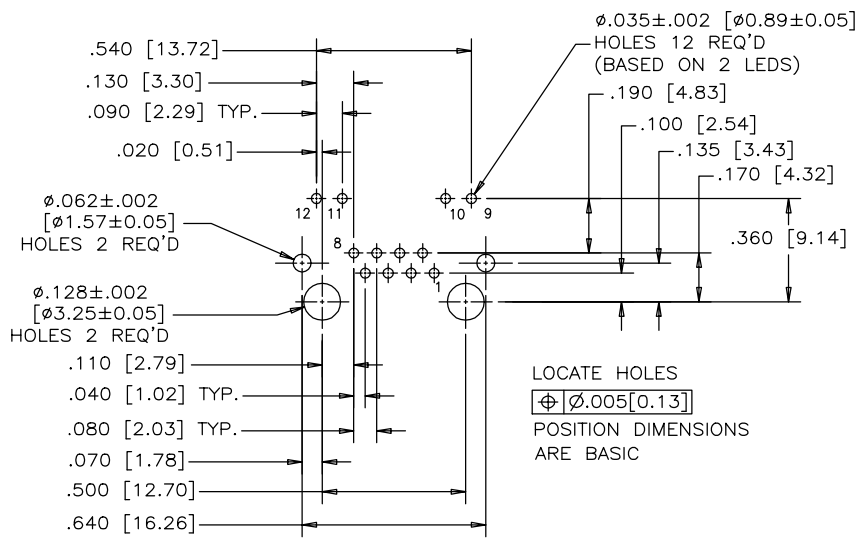


SIDE VIEW



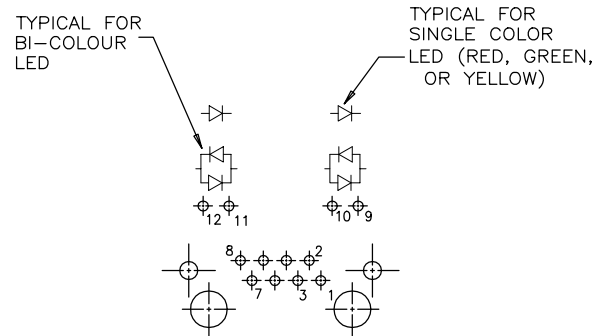
BI-COLOUR LED DETAIL

(RED/YELLOW AND GREEN/ORANGE LED'S ARE ALSO AVAILABLE)



RECOMMENDED P.C.B. LAYOUT
(COMPONENT SIDE OF BOARD)

LOCATE HOLES
 $\text{Ø} \phi .005 [0.13]$
 POSITION DIMENSIONS ARE BASIC



LED SCHEMATIC

MATERIALS:

PLASTIC HOUSING: ENGINEERING THERMOPLASTIC
 FLAMMABILITY RATING UL 94V-0

CONTACTS:

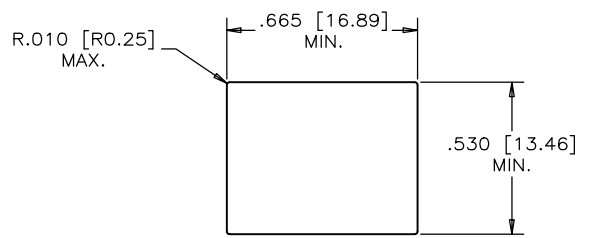
PHOSPHOR BRONZE
 PLATING: 50 μ " [1.27 MICRONS]
 MIN. GOLD ON MATING SURFACES.
 50 μ " [1.27 MICRONS]
 MIN. NICKEL UNDERPLATE
 100 μ " [2.54 MICRONS]
 MIN. TIN/LEAD ON CONTACT TAILS.

SHIELD:

COPPER ALLOY
 PLATING: TIN-LEAD ALLOY

PART NUMBER: RJHS-538X

REFER TO LED OPTIONS DRAWING FOR ORDERING CODES



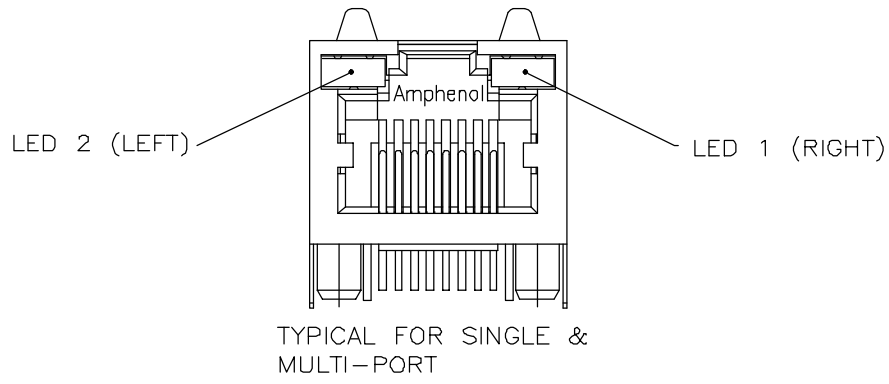
RECOMMENDED PANEL CUTOUT

THIS DOCUMENT CONTAINS PROPRIETARY INFORMATION AND SUCH INFORMATION MAY NOT BE DISCLOSED TO OTHERS FOR ANY PURPOSE OR USED FOR MANUFACTURING PURPOSES WITHOUT WRITTEN PERMISSION FROM AMPHENOL CANADA CORP.

DRAWN	A.KARIR	DATE	99/11/10	Amphenol Canada Corp.
DESIGNED				
CHECKED	R.PIKE	DATE	99/11/11	
I. E. APPRD.				
Q. A. APPRD.				TITLE
DWG. APPRD.				HIGH SPEED, RJ45, MODULAR JACK, 8 POSITION, 8 CONTACTS, SHIELDED, WITH LED'S
ENG. REL. NO.		DWG	DRAWING NO.	REV.
REF.			P-RJHS-538X	D
DIMENSIONS ARE IN INCHES [mm]	CODE ID. NO.	SCALE	WT. ----- SURF. ----- SHEET 1 OF 1	
	03554			

REVISIONS				
SYM	ZONE	ECN, ERN NO.	DATE	APPRD.
D		ADDED SPECIFICATIONS	00/06/05	

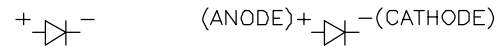
THIS IS A CAD DRAWING. DO NOT MANUALLY REVISE.



LED SPECIFICATIONS:
 FORWARD VOLTAGE: 2.1 VOLTS TYP.
 REVERSE VOLTAGE: 5.0 VOLTS MIN.
 LUMINOUS INTENSITY: 0.5 mCd MIN.
 (AT If=2mA)
 STORAGE TEMPERATURE: -20° TO 85° C
 LEAD SOLDERING TEMPERATURE: 260° C
 (5 SEC, 1/16" FROM CASE)
 PLATING ON TAILS: TIN-LEAD (90-10) ALLOY

EXAMPLE:

PART NUMBER RJHS-538X



LED COLOR CODE

CODE	LED 2 (LEFT)	LED 1 (RIGHT)	CODE	LED 2 (LEFT)	LED 1 (RIGHT)	CODE	LED 2 (LEFT)	LED 1 (RIGHT)
0	BLOCKED	BLOCKED	9	GREEN	BLOCKED	J	BiC RD/GR	YELLOW
1	YELLOW	GREEN	A	BiC GR/YE	BiC GR/YE	K	YELLOW	BiC GR/OR
2	BLOCKED	GREEN	B	BiC RD/GR	BiC RD/GR	L	BiC GR/YE	RED
3	YELLOW	BLOCKED	C	BiC RD/GR	BiC GR/YE	M	RED	YELLOW
4	GREEN	YELLOW	D	GREEN	BiC GR/YE	N	BiC RD/GR	BiC GR/YE
5	GREEN	GREEN	E	YELLOW	BiC GR/YE	P	GREEN	BiC RD/GR
6	YELLOW	YELLOW	F	BiC GR/YE	YELLOW	R	BiC GR/OR	GREEN
7	RED	GREEN	G	BiC GR/OR	BiC GR/OR	T	RED	RED
8	GREEN	RED	H	BiC GR/YE	GREEN	V	BiC RD/GR	GREEN
						W	ADDITIONAL OPTIONS	

PRIMARY COLOR FOR BI-COLOR
 LEDS IN STANDARD ANODE/
 CATHODE CONFIGURATION IS:
 RED-GREEN= RED
 RED-YELLOW= RED
 GREEN-YELLOW= GREEN
 GREEN-ORANGE= GREEN

LEGEND
 BiC=BI-COLOR LED
 YE=YELLOW
 GR=GREEN
 RD=RED
 OR=ORANGE

EXAMPLE OF ADDITIONAL LED OPTIONS:

PART NUMBER RJHS-538W-01Y

↑ ADDITIONAL LED COLOR CODE
 ↑ DENOTES ADDITIONAL LED OPTIONS

CODE	LED 2 (LEFT)	LED 1 (RIGHT)	CODE	LED 2 (LEFT)	LED 1 (RIGHT)
0	SEE STANDARD DESIGNATION		4	BLOCKED	RED
1	RED	BLOCKED	5	BLOCKED	YELLOW
2	BiC GR/OR	YELLOW	6	RED	BiC RD/GR
3	YELLOW	RED	7	BiC RD/GR	BiC YL/GR
			8	BiC RD/GR	BLOCKED

NOTE:
 THE TWO DIGITS PRECEDING THE
 ADDITIONAL LED CODE MUST BE
 USED IN THE PART NUMBER, WHEN
 ORDERING ANY OF THE ADDITIONAL
 LED OPTIONS.

DRAWN B. YOUNGSON	DATE 99/09/21	Amphenol Canada Corp.		
DESIGNED		TITLE		
CHECKED A. KARIR	99/10/25	LED OPTIONS FOR RJHS, SINGLE OR MULTI-PORT CONNECTORS		
I. E. APPRD.		DWG.	DRAWING NO.	REV. D
G. A. APPRD.		P-RJHS-LEDS		
DWG. APPRD.		SCALE	WT. -----	SURF. -----
ENG. REL. NO.		SHEET 1 OF 1		
REF.				
DIMENSIONS ARE IN INCHES [mm]		CODE ID. NO. 03554		

THIS DOCUMENT CONTAINS PROPRIETARY INFORMATION AND SUCH INFORMATION
 MAY NOT BE DISCLOSED TO OTHERS FOR ANY PURPOSE OR USED FOR MANUFACTURING
 PURPOSES WITHOUT WRITTEN PERMISSION FROM AMPHENOL CANADA CORP.