

9mm Size Metal Shaft Multi-ganged Type RK097 Series

Single-shaft momentary push (0.5mm-travel) switch

Part number	RK0971114D0B	
Number of resistor elements	Single-unit	
Mounting direction	Horizontal type	
Fixing method of bushing	Screw	
Shaft types	Flat	
Length of the shaft	15mm	
Center detent	With	
Total resistance	10k Ω	
Resistance taper	3B	
Operating temperature range	-20 $^{\circ}$ C to +70 $^{\circ}$ C	
Electrical Performance	Total resistance tolerance	$\pm 20\%$
	Rated power	0.05W
	Maximum operating voltage	50V AC, 10V DC
	Residual resistance	20 Ω max.
	Insulation resistance	100M Ω min. 250V DC
	Voltage proof	300V AC for 1 minute
Mechanical Performance	Total rotational angle	300 $^{\circ}$ (+10, -5) $^{\circ}$
	Rotational torque	2 to 25mN·m
	Stopper strength	0.5N·m
	Push-pull strength	100N max.
	Vibration	10 to 55 to 10Hz/min., the amplitude is 1.5mm for all the frequencies, in the 3 direction of X, Y and Z and for 2 hours

respectively

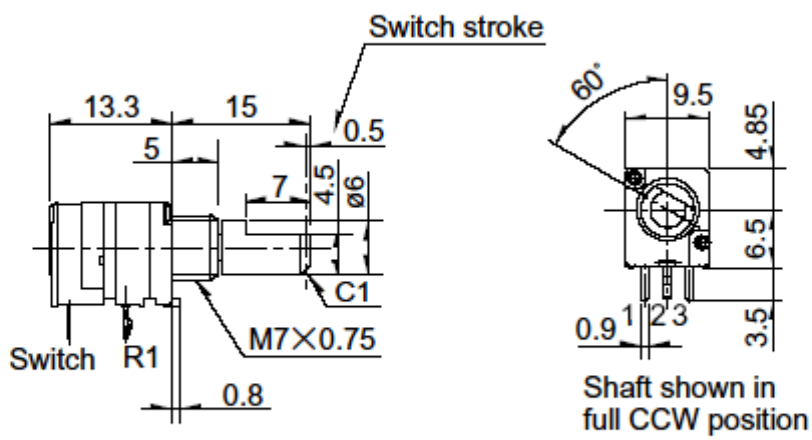
Durability	Operating life	15,000 cycles
Specifications switches	Contact arrangement	Single pole and single throw
	Travel	0.5(+0.7, -0.3)mm
	Changeover force	4(+4, -2)N
	Operating life	10,000 cycles
	Ratings	0.5A 12V DC (10mA 12V DC min. rating)
	Contact resistance	100mΩ for initial period, 200mΩmax. after operating life.
	Insulation resistance	100MΩ min. 250V DC
	Voltage proof	300V AC for 1 minute
Minimum order unit (pcs.)	Japan	700
	Export	1,400

Photo



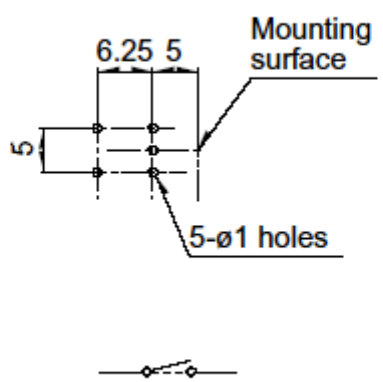
Dimensions

Unit : mm



Mounting Hole Dimensions

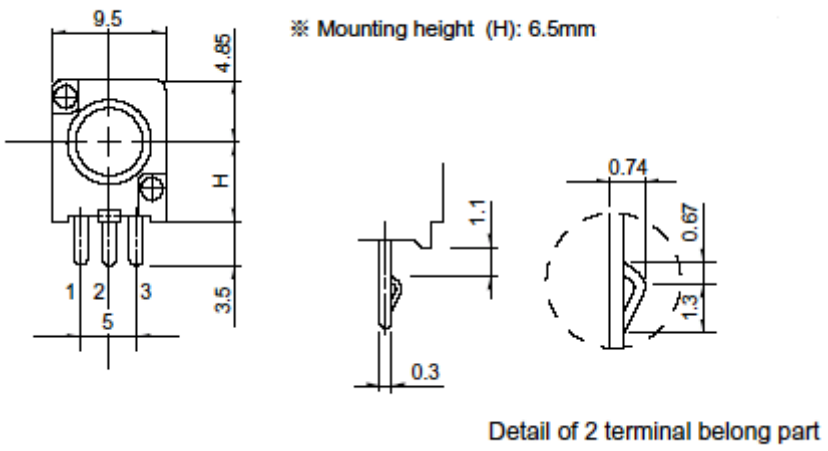
Unit : mm



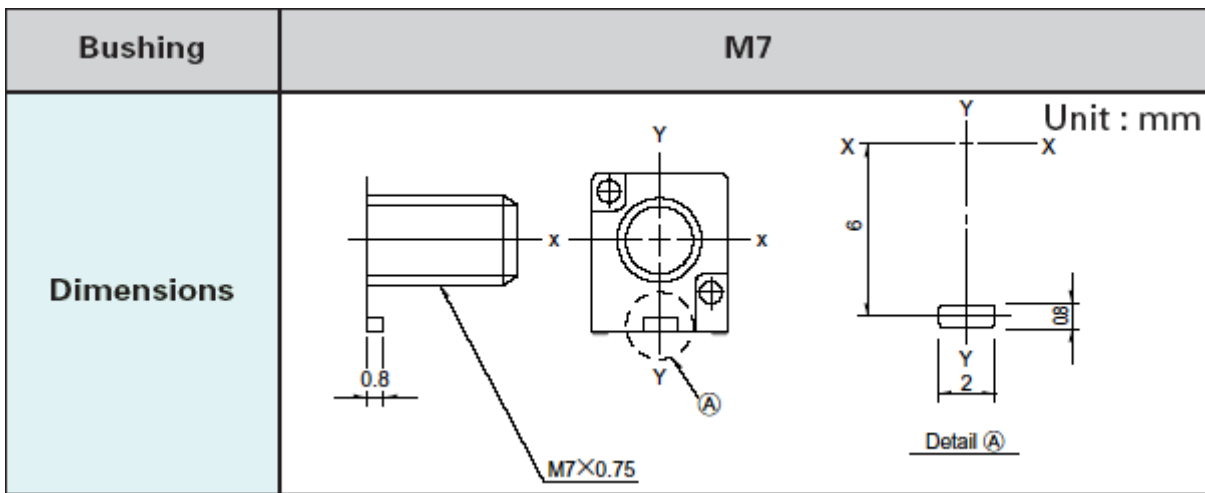
Viewed from mounting side.

Dimensions of Terminal

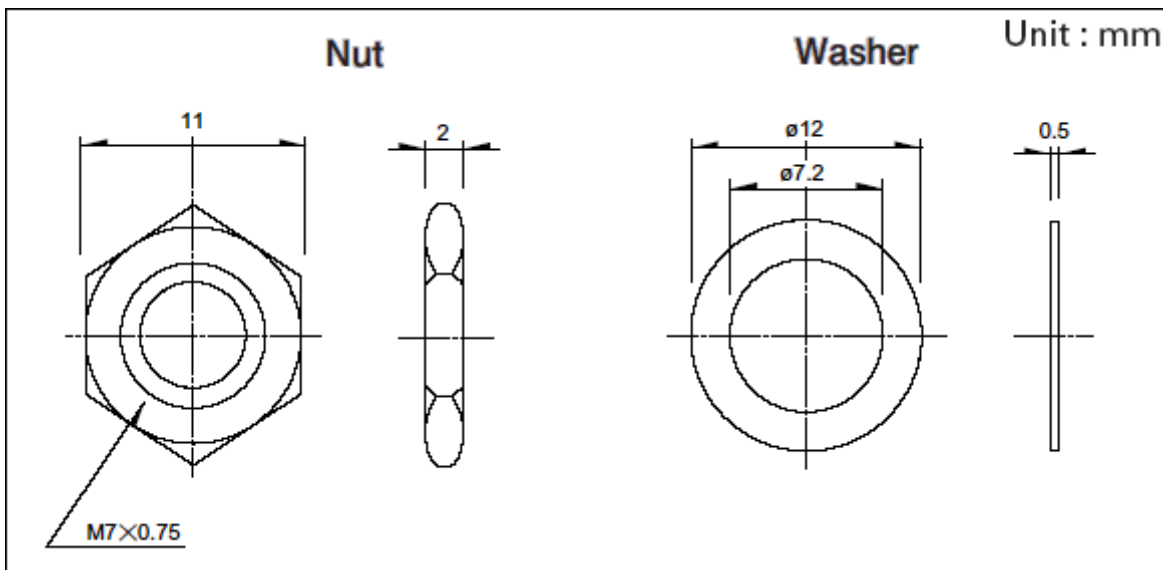
Unit : mm



Dimensions of Bushings



Attached Parts



These parts are attached to the following products.

Packing Specifications

Tray

Number of packages	1 case / Japan	700
(pcs.)		

1 case / export packing	1,400
----------------------------	-------

Export package measurements (mm)	373×540×181
----------------------------------	-------------

Soldering Conditions

Reference for Dip Soldering

Preheating	Soldering surface temperature	100°C max.
------------	-------------------------------	------------

Heating time	2 min. max.
--------------	-------------

Dip soldering	Soldering temperature	260±5°C max.
---------------	-----------------------	--------------

Soldering time	5±1s
----------------	------

No. of solders	2 time max.
----------------	-------------

Reference for Hand Soldering

Tip temperature	350°C max.
-----------------	------------

Soldering time	3s max.
----------------	---------

No. of solders	1 time
----------------	--------

Notes are common to this series/models.

1. This site catalog shows only outline specifications. When using the products, please obtain formal specifications for supply.
2. For the switch attached, the single-shaft or inner shaft of the dual-shaft type can be chosen.
3. Please place purchase orders per minimum order unit (integer).
4. Products other than those listed in above products are also available. Please contact us for details.
5. This products can be used in vehicles.

Although these products are designed to perform over a wide operating temperature range, please ensure that you receive and read the formal delivery specifications before use.