

# Capacitor cover

## Round-type/post-fit-type series



### Feature

- Protective insulation cover for various capacitor bodies, wire etc.
- Best suited for double insulation.
- Effective as a barrier against active electrical parts.

### Material

Soft PVC  
UL recognized material (E58538):  
SS107UFTT

### Standard color

SS107UFTT: Blue Transparent (23)



UL recognized product **E55167**

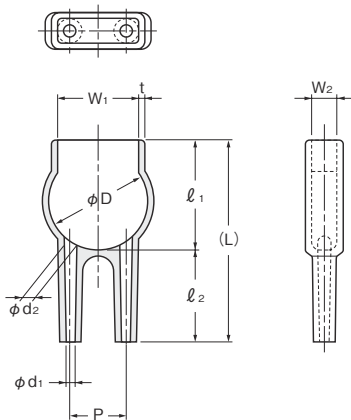
Cat. No. 12, 13, 14, 22..... Rating: 105°C, 600V



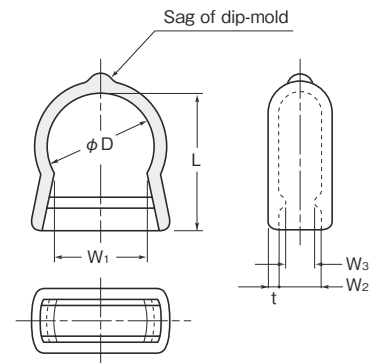
CSA recognized product **LR52853 • LR52854**

Cat. No. 12, 13, 14, 22..... Rating: 105°C, 600V

### Round-type



### Post-fit type



### Round-type series Cat. No. 14

Part No.	Dimensions (mm)											ID No.	Packing unit (pieces)
	$\phi D$	$\phi d_1$	$\phi d_2$	P	$l_1 \pm 1$	$l_2 \pm 1$	(L)	W <sub>1</sub>	W <sub>2</sub>	$t \pm_{-0.2}^{+0.3}$			
810906	9.0	1.4	1.8	5.5	10.0	11	21.0	7.5	2.2	0.8	S 1	1,000	
811207	12.0	1.5	1.5	6.4	13.0	5	18.0	9.6	5.0	0.8	S 2		
811409	14.0	1.5	2.0	9.0	16.0	24	40.0	12.0	4.0	1.0	S 3	500	
※ 811409-1	14.0	2.0	2.0	9.0	21.0	5	26.0	12.0	4.0	1.0	S 3		
811609	16.0	1.5	2.0	9.0	18.0	15	33.0	13.0	4.0	1.0	S 4		
811810	18.0	1.5	2.0	10.0	21.0	15	36.0	14.0	4.0	1.0	S 5		
811810-1	18.0	1.5	2.2	10.0	20.0	25	45.0	14.0	3.0	1.0	S 6		
※ 811810-2	18.0	1.5	2.0	10.0	20.0	20	40.0	14.0	3.0	1.0	S 7		
※ 812010	20.0	1.4	2.0	10.0	22.0	27	49.0	17.0	5.0	1.0	S 8		
※ 812214	22.0	2.0	3.5	14.0	24.0	20	44.0	17.0	7.0	1.0	S 9		
※ 812216	22.0	2.0	3.0	16.0	27.0	15	42.0	20.0	8.0	1.0	S10		
※ 812316	23.0	1.5	3.0	16.0	28.0	10	38.0	21.0	4.5	1.0	S11		
※ 812510	25.0	2.0	2.0	10.0	28.5	10	38.5	22.0	6.0	1.0	S12		
※ 812816	28.0	2.0	3.0	15.8	35.0	20	55.0	23.0	6.0	1.0	S13		

※ Order-made (Contact us for production volume.)

### Post-fit type series Cat. No. 22

Part No.	Dimensions (mm)						Packing unit (pieces)
	$\phi D$	W <sub>1</sub>	W <sub>2</sub>	W <sub>3</sub>	L ± 1	$t \pm_{-0.2}^{+0.3}$	
850830	8.0	7.5	3.0	3.0	10.5	1,000	
851040	10.5	9.0	4.0	3.0	13.0		
851248	12.5	10.0	4.8	3.8	19.0		
※ 851348	13.0	11.5	4.8	3.8	19.0		
851440	14.0	12.0	4.0	3.0	16.0		
851640	16.0	13.0	4.0	3.0	18.5		

※ Order-made (Contact us for production volume.)