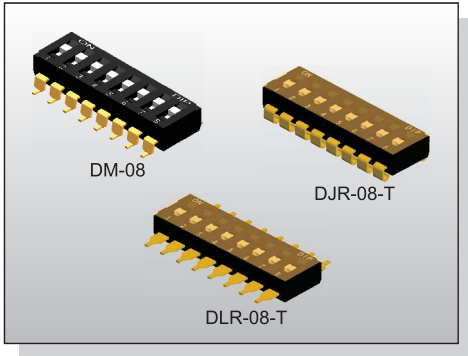


DIP SWITCH DM, DJ, DL SERIES

Surface Mount
IC Type



FEATURES

- ✘ Low profile for space saving
- ✘ Gold contact for high reliability
- ✘ UL 94V-0 grade fire retardant

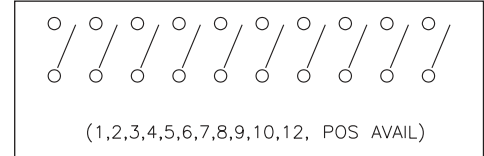
APPLICATION

- ✘ Industrial control
- ✘ Automatic machines control
- ✘ Telecommunication

SPECIFICATION

Contact Rating	25mA, 24V DC
Contact Resistance	(a)50mΩ max. Initial (b)100mΩ max. After life test
Insulation Resistance	100MΩ min. 500V DC
Dielectric Strength	500V AC/1 minute
Operating Force	1,000gf max.
Travel	1mm
Operating Life	2,000 cycles
Operating Temp.	-20°C ~ +85°C
Storage Temp.	-40°C ~ +85°C

CIRCUIT



PACKAGE

<Tube>

DM(R), DJ(R):

01:130 pcs	02:76 pcs	03:55 pcs	04:42 pcs
05:35 pcs	06:28 pcs	07:25 pcs	08:22 pcs
09:20 pcs	10:18 pcs	12:15 pcs	

<Tape & Reel>

DM(R)-01-T-T/R: 800 pcs

DMR-02-T-T/R~DMR-12-T-T/R: 900 pcs

DM-(01)(05)(07)(10)-T/R: 800 pcs

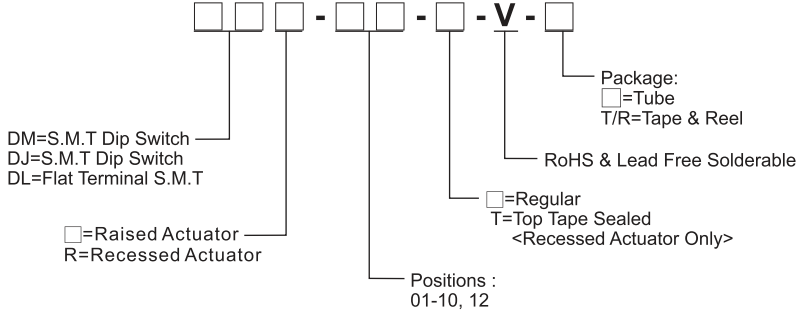
DM-(02)(03)(04)(06)(08)(09)(12)-T/R: 700 pcs

DJR-(02)(03)(04)(08)(09)(10)-T-T/R: 1000 pcs

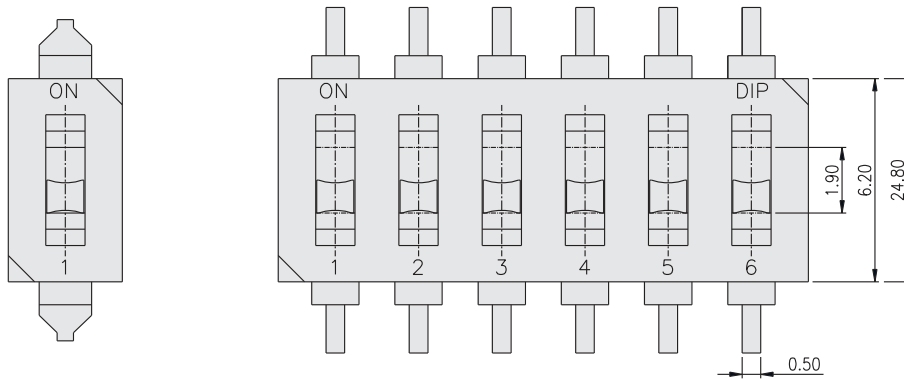
<Bag>

DL(R): 1000 pcs

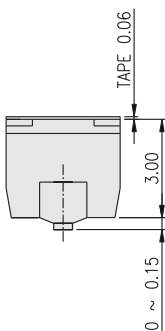
HOW TO ORDER



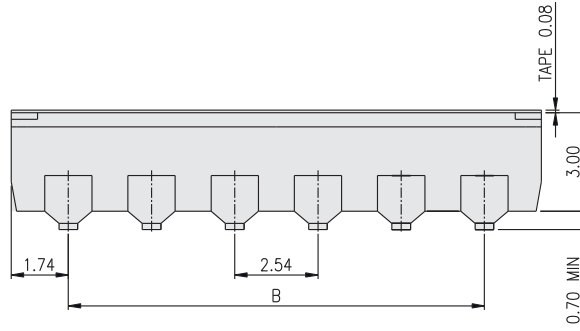
DM(R)



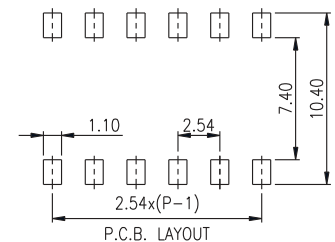
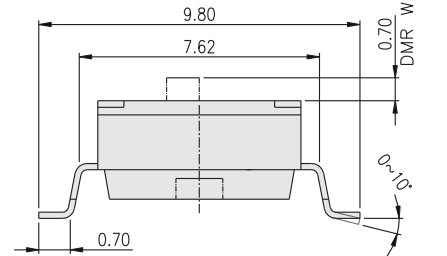
DM(R)-01	1	3.48	
DM(R)-02	2	6.02	2.54
DM(R)-03	3	8.56	5.08
DM(R)-04	4	11.10	7.62
DM(R)-05	5	13.64	10.16
DM(R)-06	6	16.18	12.70
DM(R)-07	7	18.72	15.24
DM(R)-08	8	21.26	17.78
DM(R)-09	9	23.80	20.32
DM(R)-10	10	26.34	22.86
DM(R)-12	12	31.42	27.94
PROD. NO.	NO.OF POS.	DIM.A	DIM.B



DM(R)-01



DM(R)-02~12

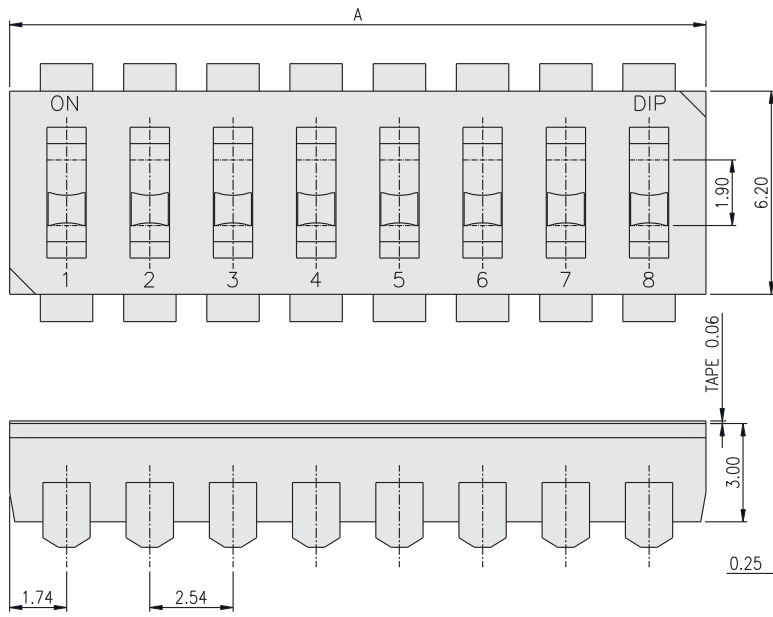


DIP SWITCH DM,DJ,DL SERIES

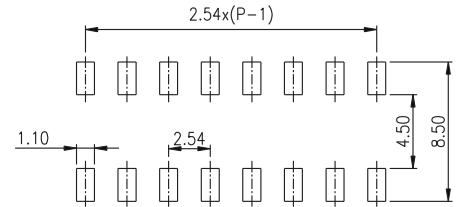
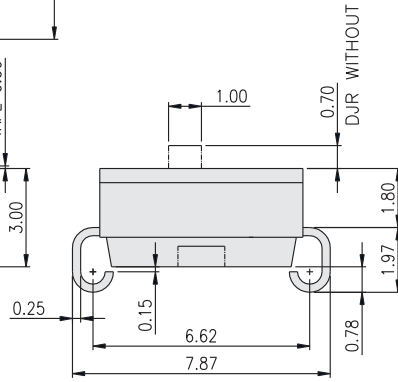
Surface Mount
IC Type



DJ(R)

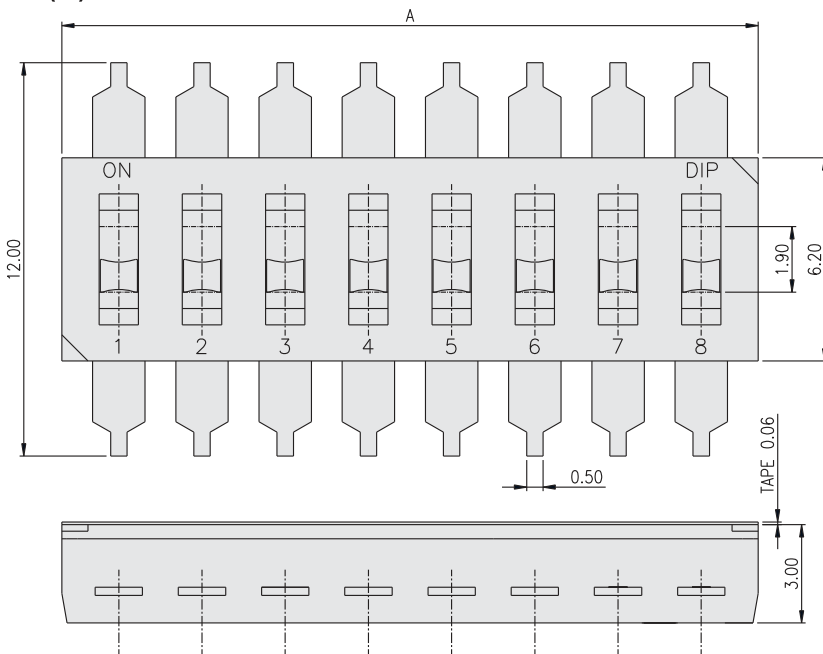


DJ(R)-02	2	6.02	2.54
DJ(R)-03	3	8.56	5.08
DJ(R)-04	4	11.10	7.62
DJ(R)-05	5	13.64	10.16
DJ(R)-06	6	16.18	12.70
DJ(R)-07	7	18.72	15.24
DJ(R)-08	8	21.26	17.78
DJ(R)-09	9	23.80	20.32
DJ(R)-10	10	26.34	22.86
DJ(R)-12	12	31.42	27.94
PROD. NO.	NO.OF POS.	DIM.A	DIM.B

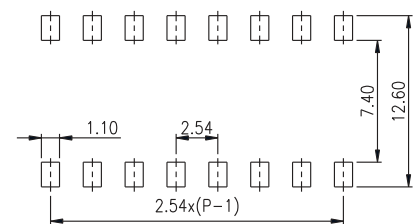
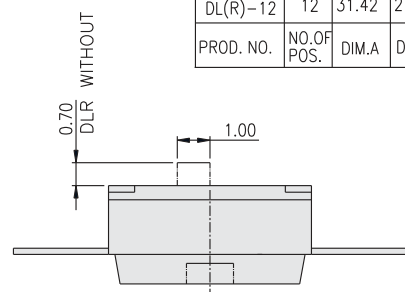


P.C.B. LAYOUT

DL(R)



DL(R)-01	1	3.48	
DL(R)-02	2	6.02	2.54
DL(R)-03	3	8.56	5.08
DL(R)-04	4	11.10	7.62
DL(R)-05	5	13.64	10.16
DL(R)-06	6	16.18	12.70
DL(R)-07	7	18.72	15.24
DL(R)-08	8	21.26	17.78
DL(R)-09	9	23.80	20.32
DL(R)-10	10	26.34	22.86
DL(R)-12	12	31.42	27.94
PROD. NO.	NO.OF POS.	DIM.A	DIM.B



P.C.B. LAYOUT

DIP SWITCH