



## E-CORE LED LIGHT ENGINE 2 AND DALI

The unusual LED LIGHT ENGINE 2 and DALI from Toshiba offers creative users unlimited opportunities for a large number of lighting solutions. Depending on the application, you have a choice between different beam angles and luminous fluxes. The LIGHT ENGINE is easy and safe to assemble.

### Application:

- ⊕ For fixture design

## Product details

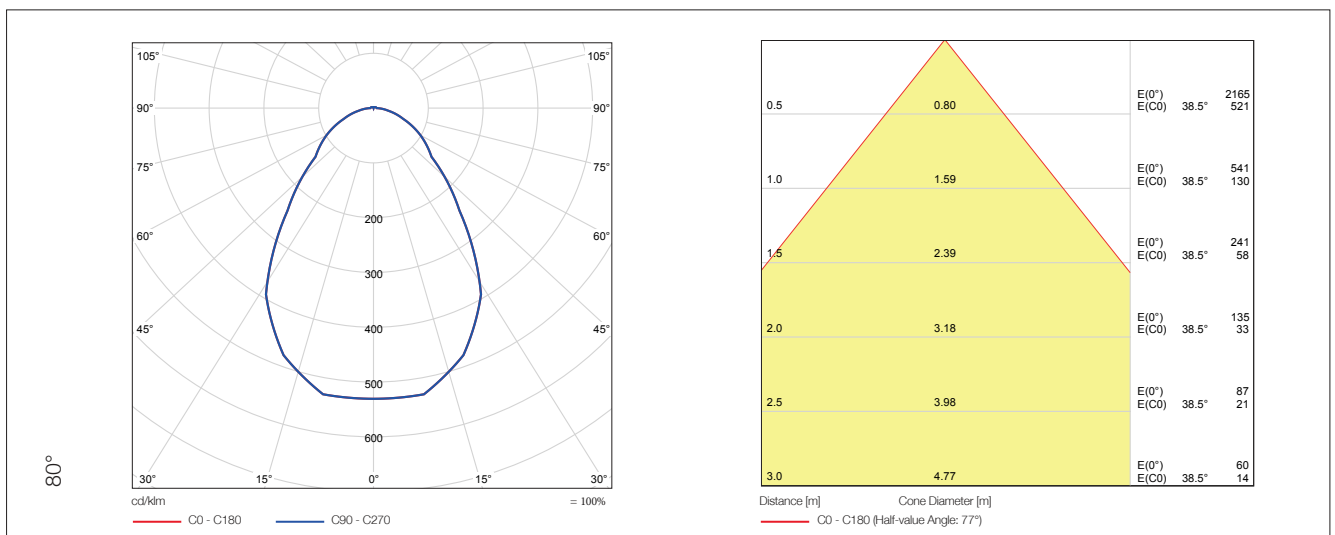
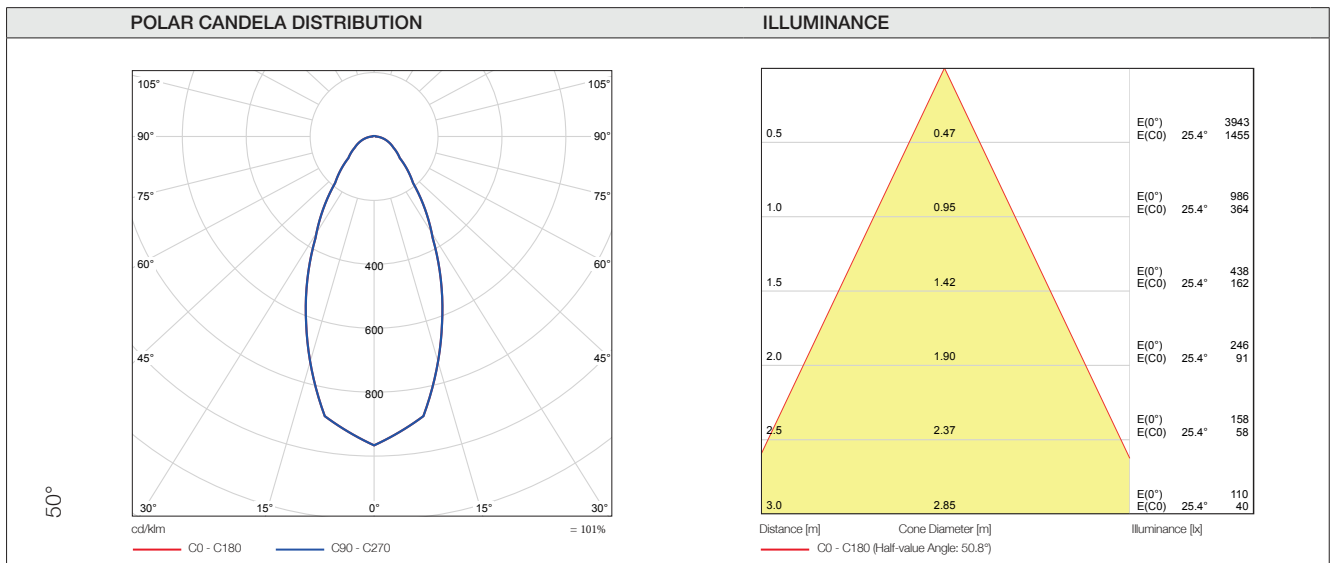
- + Low energy and high efficacy
  - + Compact form
  - + Instant illumination
- + Low heat radiation – low UV/IR
  - + Ideal for a wide range of applications

## Optical parameters

MODEL NAME	E-CORE LED LIGHT ENGINE 2		
Product code	LEV112313M830E / LEV112313W830E	LEV162318M830E / LEV162318W830E	LEV222324M830E / LEV222324W830E
Luminous flux	1,020 lm	1,480 lm	2,040 lm
Useful output	765 / 690 lm	1,110 / 965 lm	1,465 / 1,285 lm
Colour description	Warm white	Warm white	Warm white
Colour temperature	<b>3000 K</b>	<b>3000 K</b>	<b>3000 K</b>
Colour rendering index	Ra > 80	Ra > 80	Ra > 80
Beam angle	50°/80°	50°/80°	50°/80°
Lamp efficacy	79.1 lm/W	83.1 lm/W	84.3 lm/W
Product code	LEV112313M840E / LEV112313W840E	LEV162318M840E / LEV162318W840E	LEV222324M840E / LEV222324W840E
Luminous flux	1,100 lm	1,600 lm	2,200 lm
Useful output	825 / 745 lm	1,200 / 1,045 lm	1,580 / 1,390 lm
Colour description	Neutral white	Neutral white	Neutral white
Colour temperature	<b>4000 K</b>	<b>4000 K</b>	<b>4000 K</b>
Colour rendering index	Ra > 80	Ra > 80	Ra > 80
Beam angle	50°/80°	50°/80°	50°/80°
Lamp efficacy	85.3 lm/W	89.9 lm/W	90.9 lm/W

MODEL NAME	E-CORE LED LIGHT ENGINE DALI		
Product code	LEV112313M830ME / LEV112313W830ME	LEV162318M830ME / LEV162318W830ME	LEV222324M830ME / LEV222324W830ME
Luminous flux	1,020 lm	1,480 lm	2,040 lm
Useful output	765 / 690 lm	1,110 / 965 lm	1,465 / 1,285 lm
Colour description	Warm white	Warm white	Warm white
Colour temperature	<b>3000 K</b>	<b>3000 K</b>	<b>3000 K</b>
Colour rendering index	Ra > 80	Ra > 80	Ra > 80
Beam angle	50°/80°	50°/80°	50°/80°
Lamp efficacy	79.1 lm/W	83.1 lm/W	84.3 lm/W
Product code	LEV112313M840ME / LEV112313W840ME	LEV162318M840ME / LEV162318W840ME	LEV222324M840ME / LEV222324W840ME
Luminous flux	1,100 lm	1,600 lm	2,200 lm
Useful output	825 / 745 lm	1,200 / 1,045 lm	1,580 / 1,390 lm
Colour description	Neutral white	Neutral white	Neutral white
Colour temperature	<b>4000 K</b>	<b>4000 K</b>	<b>4000 K</b>
Colour rendering index	Ra > 80	Ra > 80	Ra > 80
Beam angle	50°/80°	50°/80°	50°/80°
Lamp efficacy	85.3 lm/W	89.9 lm/W	90.9 lm/W

## Optical parameters



## Electrical parameters

MODEL NAME	E-CORE LED LIGHT ENGINE 2		
Rated voltage	220-240 V	220-240 V	220-240 V
Rated wattage	12.7 W	17.5 W	24 W
Frequency	50/60 Hz	50/60 Hz	50/60 Hz
Rated input current	60 mA	81 mA	111 mA
Power factor	0.90	0.90	0.90
Rated lifetime	40,000 h	40,000 h	40,000 h
Lumen maintenance	70 % at the rated lamp lifetime	70 % at the rated lamp lifetime	70 % at the rated lamp lifetime
Operating temperature	+ 5°C - + 40°C	+ 5°C - + 40°C	+ 5°C - + 40°C
Dimming	No	No	No

MODEL NAME	E-CORE LED LIGHT ENGINE DALI		
Rated voltage	220-240 V	220-240 V	220-240 V
Rated wattage	12.9 W	17.8 W	24.2 W
Frequency	50/60 Hz	50/60 Hz	50/60 Hz
Rated input current	60 mA	82 mA	112 mA
Power factor	0.90	0.90	0.90
Rated lifetime	40,000 h	40,000 h	40,000 h
Lumen maintenance	70 % at the rated lamp lifetime	70 % at the rated lamp lifetime	70 % at the rated lamp lifetime
Operating temperature	+ 5°C - + 40°C	+ 5°C - + 40°C	+ 5°C - + 40°C
Dimming	Yes / DALI, 0 / 5 - 100%	Yes / DALI, 0 / 5 - 100%	Yes / DALI, 0 / 5 - 100%

## Mechanical parameters

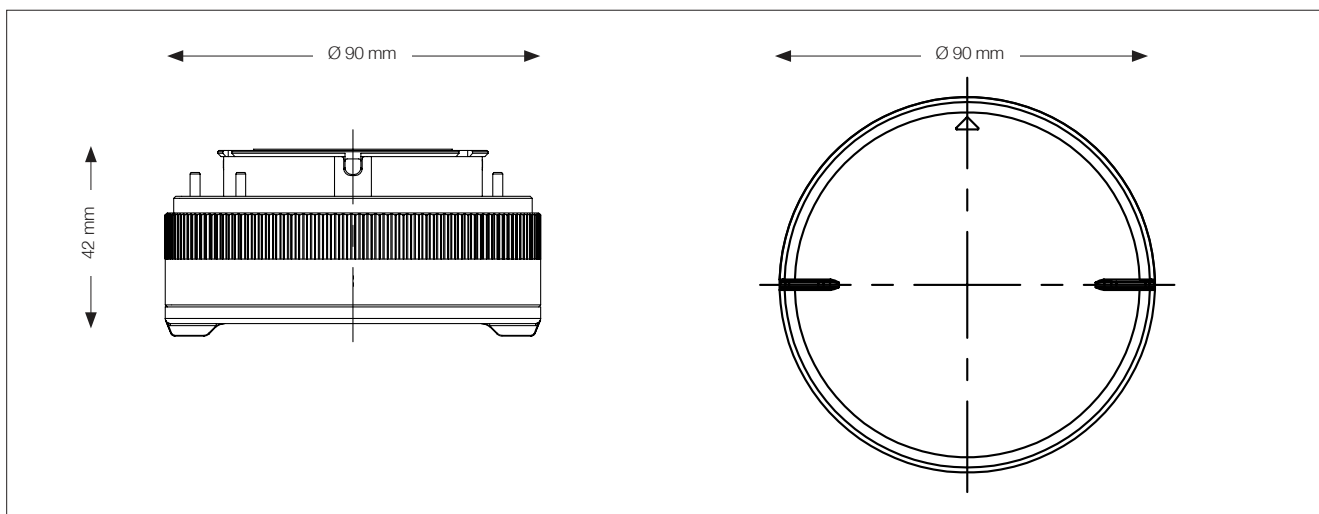
MODEL NAME	E-CORE LED LIGHT ENGINE 2 12.7 / 17.5 W	E-CORE LED LIGHT ENGINE 2 24 W
Overall length	42 mm	42 mm
Diameter	90 mm	90 mm
Net weight	220 g	225 g
Base	GH76p-5	GH76p-5

MODEL NAME	E-CORE LED LIGHT ENGINE DALI 12.9 / 17.8 W	E-CORE LED LIGHT ENGINE DALI 24.2 W
Overall length	42 mm	42 mm
Diameter	90 mm	90 mm
Net weight	235 g	240 g
Base	GH76p-5	GH76p-5

## LLE base and cap holder compatibility

BASE HOLDER	BASE					
	GH76P-1	GH76P-2	GH76P-3	GH76P-4	GH76P-5	GH76P-6
GH76P-1	Fit	Not fit	Not fit	Not fit	Fit	Fit
GH76P-2	Not fit	Fit	Not fit	Not fit	Fit	Fit
GH76P-3	Fit	Not fit	Fit	Not fit	Fit	Fit
GH76P-4	Not fit	Fit	Not fit	Fit	Fit	Fit
GH76P-5	Not fit	Not fit	Not fit	Not fit	Fit	Not fit
GH76P-6	Not fit	Not fit	Not fit	Not fit	Fit	Fit

## Drawings



## Logistic data

### LED LIGHT ENGINE 2 (non dimmable)

PRODUCT CODE	EAN CODE	PACKAGING TYP	DESCRIPTION	SIZE OF PACKAGING ( L x H x W )	GROSS WEIGHT
LEV112313M830E	4974550480666	Gift box (1 pc) mm g	3000 K / 12.7 W / 50°	103 x 52 x 105 mm	230 g
	14974550480663	Outer carton (10 pcs)		221x 276 x 124 mm	2850 g
LEV112313W830E	4974550480673	Gift box (1 pc) mm g	3000 K / 12.7 W / 80°	103 x 52 x 105 mm	230 g
	14974550480670	Outer carton (10 pcs)		221x 276 x 124 mm	2850 g
LEV112313M840E	4974550480680	Gift box (1 pc) mm g	4000 K / 12.7 W / 50°	103 x 52 x 105 mm	230 g
	14974550480687	Outer carton (10 pcs)		221x 276 x 124 mm	2850 g
LEV112313W840E	4974550480697	Gift box (1 pc) mm g	4000 K / 12.7 W / 80°	103 x 52 x 105 mm	230 g
	14974550480694	Outer carton (10 pcs)		221x 276 x 124 mm	2850 g
LEV162318M830E	4974550480703	Gift box (1 pc) mm g	3000 K / 17.5 W / 50°	103 x 52 x 105 mm	230 g
	14974550480700	Outer carton (10 pcs)		221x 276 x 124 mm	2850 g
LEV162318W830E	4974550480710	Gift box (1 pc) mm g	3000 K / 17.5 W / 80°	103 x 52 x 105 mm	230 g
	14974550480717	Outer carton (10 pcs)		221x 276 x 124 mm	2850 g
LEV162318M840E	4974550480727	Gift box (1 pc) mm g	4000 K / 17.5 W / 50°	103 x 52 x 105 mm	230 g
	14974550480724	Outer carton (10 pcs)		221x 276 x 124 mm	2850 g
LEV162318W840E	4974550480734	Gift box (1 pc) mm g	4000 K / 17.5 W / 80°	103 x 52 x 105 mm	230 g
	14974550480731	Outer carton (10 pcs)		221x 276 x 124 mm	2850 g
LEV222324M830E	4974550480741	Gift box (1 pc) mm g	3000 K / 24.0 W / 50°	103 x 52 x 105 mm	230 g
	14974550480748	Outer carton (10 pcs)		221x 276 x 124 mm	2850 g
LEV222324W830E	4974550480758	Gift box (1 pc) mm g	3000 K / 24.0 W / 80°	103 x 52 x 105 mm	230 g
	14974550480755	Outer carton (10 pcs)		221x 276 x 124 mm	2850 g
LEV222324M840E	4974550480765	Gift box (1 pc) mm g	4000 K / 24.0 W / 50°	103 x 52 x 105 mm	230 g
	14974550480762	Outer carton (10 pcs)		221x 276 x 124 mm	2850 g
LEV222324W840E	4974550480772	Gift box (1 pc) mm g	4000 K / 24.0 W / 80°	103 x 52 x 105 mm	230 g
	14974550480779	Outer carton (10 pcs)		221x 276 x 124 mm	2850 g

**LED LIGHT ENGINE (DALI)**

PRODUCT CODE	EAN CODE	PACKAGING TYP	DESCRIPTION	SIZE OF PACKAGING (L x H x W)	GROSS WEIGHT
LEV112313M830ME	4974550480789	Gift box (1 pc) mm g	3000 K / 12.9 W / 50°	103 x 52 x 105 mm	240 g
	14974550480786	Outer carton (10 pcs)		221x 276 x 124 mm	2900 g
LEV112313W830ME	4974550480796	Gift box (1 pc) mm g	3000 K / 12.9 W / 80°	103 x 52 x 105 mm	240 g
	14974550480793	Outer carton (10 pcs)		221x 276 x 124 mm	2900 g
LEV112313M840ME	4974550480802	Gift box (1 pc) mm g	4000 K / 12.9 W / 50°	103 x 52 x 105 mm	240 g
	14974550480809	Outer carton (10 pcs)		221x 276 x 124 mm	2900 g
LEV112313W840ME	4974550480819	Gift box (1 pc) mm g	4000 K / 12.9 W / 80°	103 x 52 x 105 mm	240 g
	14974550480816	Outer carton (10 pcs)		221x 276 x 124 mm	2900 g
LEV162318M830ME	4974550480826	Gift box (1 pc) mm g	3000 K / 17.8 W / 50°	103 x 52 x 105 mm	240 g
	14974550480823	Outer carton (10 pcs)		221x 276 x 124 mm	2900 g
LEV162318W830ME	4974550480833	Gift box (1 pc) mm g	3000 K / 17.8 W / 80°	103 x 52 x 105 mm	240 g
	14974550480830	Outer carton (10 pcs)		221x 276 x 124 mm	2900 g
LEV162318M840ME	4974550480840	Gift box (1 pc) mm g	4000 K / 17.8 W / 50°	103 x 52 x 105 mm	240 g
	14974550480847	Outer carton (10 pcs)		221x 276 x 124 mm	2900 g
LEV162318W840ME	4974550480857	Gift box (1 pc) mm g	4000 K / 17.8 W / 80°	103 x 52 x 105 mm	240 g
	14974550480854	Outer carton (10 pcs)		221x 276 x 124 mm	2900 g
LEV222324M830ME	4974550480864	Gift box (1 pc) mm g	3000 K / 24.2 W / 50°	103 x 52 x 105 mm	240 g
	14974550480861	Outer carton (10 pcs)		221x 276 x 124 mm	2900 g
LEV222324W830ME	4974550480871	Gift box (1 pc) mm g	3000 K / 24.2 W / 80°	103 x 52 x 105 mm	240 g
	14974550480878	Outer carton (10 pcs)		221x 276 x 124 mm	2900 g
LEV222324M840ME	4974550480888	Gift box (1 pc) mm g	4000 K / 24.2 W / 50°	103 x 52 x 105 mm	240 g
	14974550480885	Outer carton (10 pcs)		221x 276 x 124 mm	2900 g
LEV222324W840ME	4974550480895	Gift box (1 pc) mm g	4000 K / 24.2 W / 80°	103 x 52 x 105 mm	240 g
	14974550480892	Outer carton (10 pcs)		221x 276 x 124 mm	2900 g

## Handling and safety information

- + Do not cover the lamp with paper, cloth or other easily flammable materials
- + Do not expose the lamp to water or high humidity
- + Avoid additional mechanical stress on the lamp
- + Do not touch the lamp during or shortly after usage. Risk of burn!
- + Use only with recommended dimmers
- + Ambient temperature range: +5°C to + 40 °C
- + Do not look directly into the lamp
- + Do not spray pesticide on this lamp
- + Please ensure the mains power is disconnected before undertaking any work on the luminaire or lamp

[www.toshiba.eu/lighting](http://www.toshiba.eu/lighting)