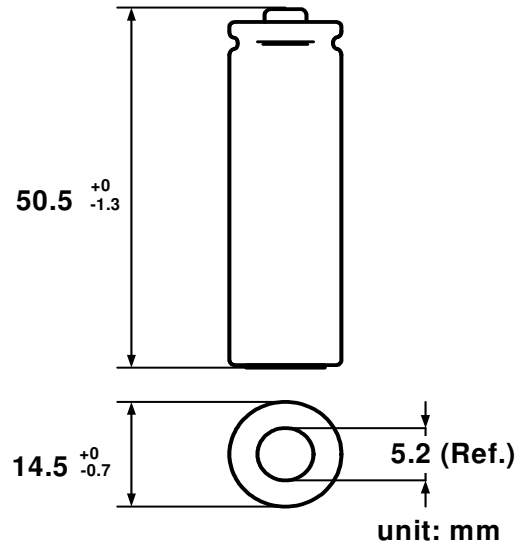
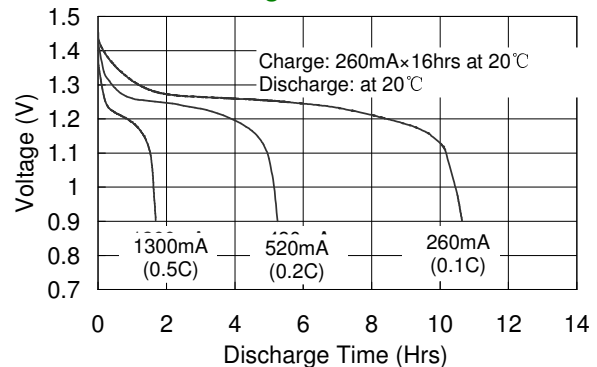


Model No.: GP270AAHCE

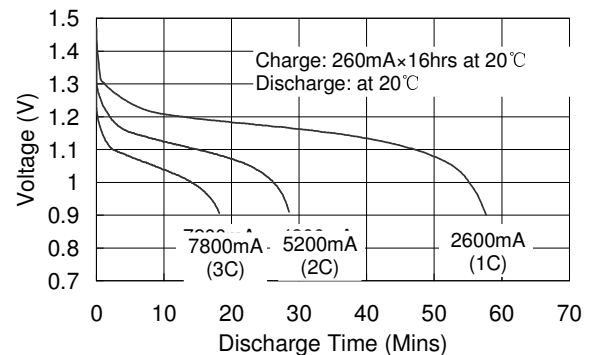
Type	Rechargeable Nickel Metal Hydride Cylindrical Cell
Recycled material content	Rechargeable Nickel Metal Hydride Battery Made with Minimum 10% Recycled materials
Nominal Dimension (with Sleeve)	$\Phi = 14.5\text{mm}$ $H = 50.5\text{mm}$
Applications	Recommended discharge current 260 to 7800mA
Nominal Voltage	1.2V
Capacity	Rated: 2600mAh Typical: 2650mAh When discharged at 520mA to 1.0V at 20°C
Charging Condition	260mA for 16 hrs at 20°C
Charging Retention	70% of nominal capacity after cell storage at 20°C for 6months, 50% of nominal capacity after cell storage at 20°C for 1year When discharged at 520mA to 1.0V at 20°C
Fast Charge	1300mA to 2600mA (0.5 to 1C) charge termination control recommended control parameters: - ΔV : 0-5mV DT/dt : 0.8°C/min (0.5 to 0.9C) 0.8 - 1°C/min (1C) TCO : 45 - 50°C Timer : 100% nominal input (for ref. only)
Service Life	~300 cycles (IEC standard)
Continuous Overcharge	260mA maximum current for 1 year. No conspicuous deformation and/or leakage
Weight	31.0g
Internal Resistance	Average 20m Ω upon fully charged (Max.35m Ω) at 1000Hz
Max. Charging Voltage	1.5V at 260mA charging
Ambient Temperature Range	Standard Charge : 0 to 45°C Fast Charging : 10 to 45°C Discharge : -20 to 50°C Storage : -20 to 35°C



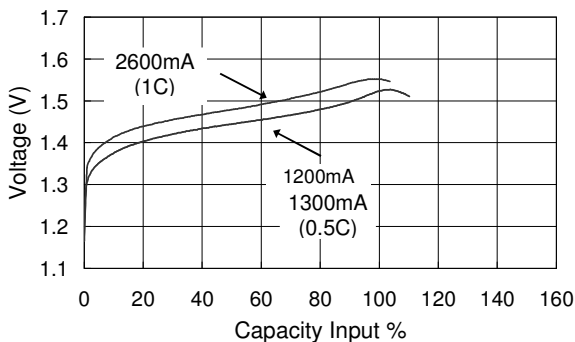
Low Rate Discharge



High Rate Discharge



Fast Charge (Charge Control Required)



The information (subject to change without prior notice) contained in this document is for reference only and should not be used as a basis for product guarantee or warranty. For applications other than those described here, please consult your nearest GP Sales and Marketing Office or Distributors.