

LogiLink®



USB2.0 to Serial Adapter

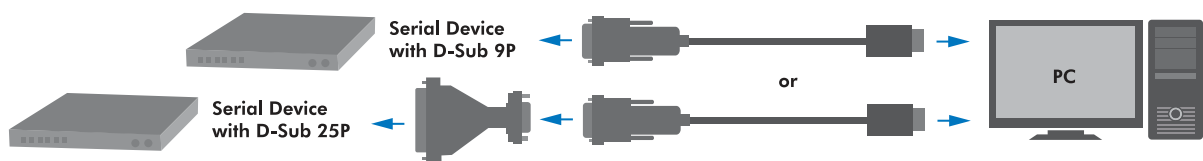
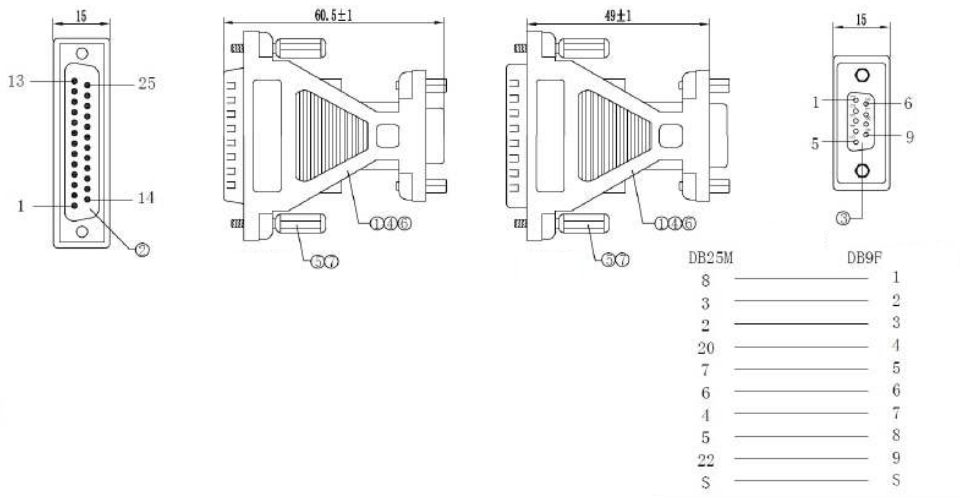
Include DB 9 Pin to DB 25 Pin Adapter

Art. No.: UA0042A

Create an extra serial port to a notebook or desktop PC. With this Logilink USB Serial Adapter you can connect a serial device through a free USB port on your computer easily.

Features:

- » Chipset: PL2303-TA
- » Compliant with the USB1.1/2.0 Specification
- » Connector 1: USB A male
- » Connector 2: RS232 (9-pin) male
- » Incl. Adapter DSUB-9 to DSUB-25
- » Supports the RS232 Serial interface
- » Power through USB Port
- » Supports Windows 98SE/ME/2000/2003/2008/XP/Vista/7/8/8.1/10, Mac OS and Linux
- » Cable Length: 1.32m



UA0042A



4 052792 013412

Made in China



* The specifications and pictures are subject to change without notice.
 *All trade names referenced are the registered namework of their respective owners.

Best Connectivity

LogiLink®



USB2.0 to Serial Adapter

Include DB 9 Pin to DB 25 Pin Adapter

Art. No.: UA0042A



Package Contents:

- » 1 x USB2.0 to Serial Adapter
- » 1 x CD
- » 1 x User Manual

Package Information:

- » Packing Dimension: 173 x 260 x 25 mm
- » Packing Weight: 0.2kg
- » Carton Dimension: 520 x 366 x 285mm
- » Carton Q'ty: 40pcs
- » Carton Weight: 8.3kg



UA0042A



4 052792 013412

Made in China



RoHS
compliant



* The specifications and pictures are subject to change without notice.
* All trade names referenced are the registered trademark of their respective owners.

Best Connectivity