

# GP Batteries

## DATA SHEET

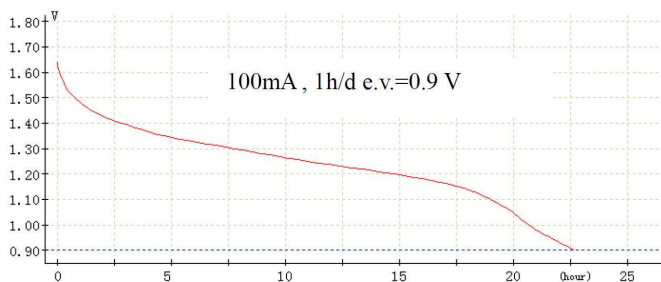
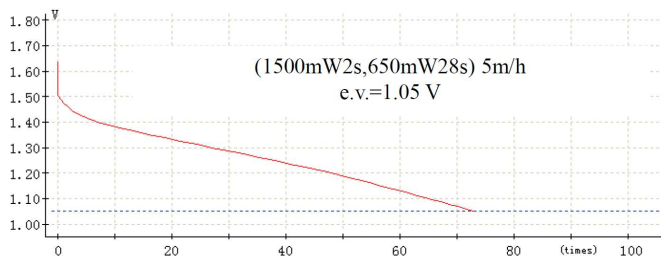
### NO MERCURY ADDED

<b>Description</b>	Mercury & Cadmium Free Alkaline Manganese Battery, AA Size
<b>Chemical System</b>	Alkaline Manganese
<b>Nominal Voltage</b>	1.5 Volts
<b>Nominal Dimensions</b>	Refer to drawing
<b>Terminals</b>	Protruded positive (+) and flat negative (-) contacts
<b>Jacket</b>	Foil jacket
<b>Applications</b>	All electronic devices, e.g. toys, photographic equipment, data banks, calculators, audio appliances, remote controls, paging machines.
<b>Ambient Temperature Range</b>	Operation: -18°C ~ 50°C Recommended: 10°C ~ 25°C Storage: Not exceed 30°C
<b>Shelf Life</b>	10 years
<b>Approx. Weight</b>	23g

### Cross References:

GP	JIS	IEC	Energizer	Duracell
<b>15A</b>	<b>LR6</b>	<b>LR6</b>	<b>E91</b>	<b>MN1500</b>

### Discharge curve:

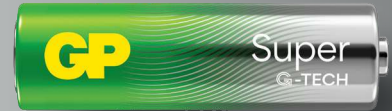


### Remarks

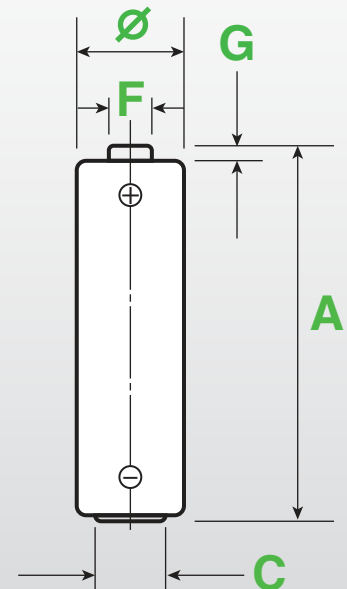
- 1) Store period before test shall be under 20±2°C, RH 55±20% within 30 days of manufacture.
- 2) Batteries shall not leak during the service life test before the end voltage reached.

[www.gpbatteries.com](http://www.gpbatteries.com)

Manufacturer reserves the right to alter or amend the design, model and specification without prior notice.  
Copyright© GPI International Ltd. - All rights reserved



Model No.: **GP15A**



/	min	max
Ø	13.7	14.5
A	49.5	50.5
C	7.0	-
F	-	5.5
G	1.0	-

Dimension : mm

The information (subject to change without prior notice) contained in this document is for reference only and should not be used as a basis for product guarantee or warranty. For applications other than those described here, please consult your nearest GP Sales and Marketing Office or Distributors.

Member  
Gold Peak Technology Group