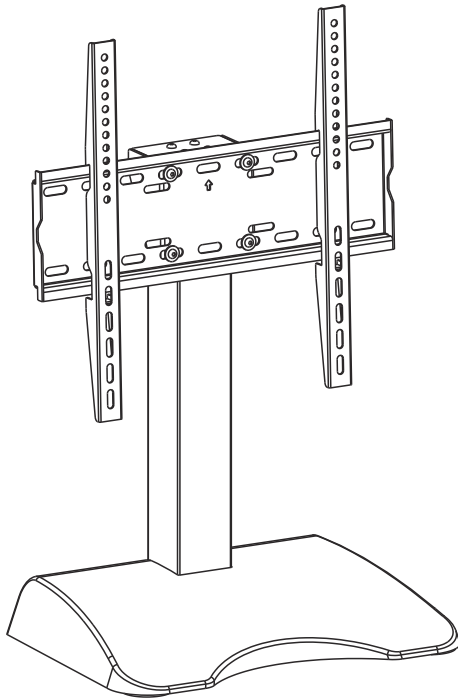




# 32"-65" Motorized TV Tabletop Stand



Digital Data Communications GmbH  
Im Defeldahl 10F  
44141 Dortmund, Germany  
Tel: +49 231 9075 222


650610

VESA Compatible  
200x200 300x200 300x300  
400x200 400x300 400x400

65"  
MAX



**INSTALLATION MANUAL**

**EN**  Read the entire instruction manual before you start installation and assembly. If you have any questions regarding any of the instructions or warnings, please contact your local distributor for assistance.




**CAUTION:** Use with products heavier than the rated weights indicated may result in instability causing possible injury.

- Mounts must be attached as specified in assembly instructions. Improper installation may result in damage or serious personal injury.
- Safety gear and proper tools must be used. This product should only be installed by professionals.
- Make sure that the supporting surface will safely support the combined weight of the equipment and all attached hardware and components.
- Use the mounting screws provided and DO NOT OVER TIGHTEN mounting screws.
- This product contains small items that could be a choking hazard if swallowed. Keep these items away from children.
- This product is intended for indoor use only. Using the product outdoors could lead to product failure and personal injury.

**IMPORTANT:** Ensure that you have received all parts according to the component checklist prior to installation. If any parts are missing or faulty, telephone your local distributor for a replacement.

**MAINTENANCE:** Check that the bracket is secure and safe to use at regular intervals (at least every three months).

---

**DE**  Bitte vor Beginn der Montage und Zusammenbau das ganze Handbuch durchlesen. Bitte sich mit dem Händler vor Ort bei Fragen zur Anleitung oder Warnungen in Verbindung setzen.




**VORSICHT:** Bei Verwendung mit Produkten, die das zulässige Gewicht überschreiten, können Schäden oder möglicherweise Verletzungen die Folge sein.

- Halterungen sollen entsprechend den Montageanweisungen angebracht werden. Eine unsachgemäße Montage kann Schäden oder Verletzungen zur Folge haben.
- Sicherheitsausrüstung und geeignete Werkzeuge verwenden. Die Montage des Produktes sollte nur von Fachleuten durchgeführt werden.
- Die tragenden Oberflächen sollen das gesamte Gewicht von Geräten und allen zusätzlichen Bauteilen sicher aushalten können.
- Nur die mitgelieferten Einbauschrauben verwenden und die Schrauben NICHT ZU FEST ANZIEHEN.
- Dieses Produkt enthält Kleinteile, die Erstickungsgefahr beim Verschlucken hervorrufen können. Diese Teile von Kindern fernhalten.
- Dieses Produkt nur in Innenräumen verwenden. Verwendung des Produktes im Außenbereich kann zu Verletzungen und Schäden führen.

**WICHTIG:** Vor der Montage bitte alle erhaltenen Bauteile mit der Bauteilliste abgleichen. Bei beschädigten oder fehlenden Teilen den Händler vor Ort nach Ersatzteilen fragen.

**WARTUNG:** Die Halterungsklammer regelmäßig auf Sicherheit und Stabilität prüfen (am besten alle drei Monate).

---

**FR**  Lisez entièrement le guide d'utilisateur avant de commencer l'installation et le montage. Si vous avez des questions concernant les instructions ou les avertissements, veuillez contacter votre distributeur local pour une assistance.



**ATTENTION:** L'utilisation de produits plus lourds que les poids nominaux indiqués peut entraîner une instabilité causant des blessures potentielles.

• Les supports doivent être joints comme spécifié dans les instructions de montage. Une mauvaise installation peut entraîner des dommages ou de graves blessures aux personnes.

- Un équipement de sécurité et les outils appropriés doivent être utilisés. Ce produit devrait être installé uniquement par des professionnels.
- Assurez-vous que la surface de soutien supporte en sécurité le poids combiné de l'équipement et de tous les matériaux et composants associés.
- Utilisez les vis de montage fournies et NE SERREZ PAS TROP les vis de montage.

• Ce produit contient de petites pièces qui peuvent causer un étouffement si elles sont avalées. Éloignez ces pièces des enfants.

• Ce produit est prévu uniquement pour une utilisation à l'intérieur. L'utilisation de ce produit à l'extérieur peut entraîner un défilement du produit ou des blessures aux personnes.

**IMPORTANT:** Avant l'installation, assurez-vous que vous avez reçu toutes les pièces selon la liste de vérification des composants. Si une pièce est manquante ou endommagée, téléphonez à votre distributeur local pour qu'il la remplace.

**MAINTENANCE:** A intervalles réguliers (au moins tous les trois mois) vérifiez que le support est d'utilisation sûre et fiable.

---

**IT**  Leggere l'intero manuale di istruzioni prima di iniziare l'installazione e il montaggio. In caso di domande su istruzioni o avvertenze, contattare il distributore locale per assistenza.



**ATTENZIONE:** l'uso con prodotti più pesanti dei pesi nominali indicati può causare instabilità provocando possibili infortuni.

I montaggi devono essere effettuati come specificato nelle istruzioni. Un'installazione errata può provocare danni o gravi lesioni personali.

Devono essere utilizzati dispositivi di sicurezza e strumenti adeguati. Questo prodotto deve essere installato solo da professionisti.

Questo prodotto è progettato per essere installato su pareti in legno, pareti in cemento o pareti in mattoni.

Assicuratevi che la superficie di supporto sia in grado di sostenere in modo sicuro il peso combinato dell'attrezzatura e di tutto l'hardware e i componenti collegati.

Utilizzare le viti di montaggio fornite e NON STRINGERE LE VITI di montaggio.


Questo prodotto contiene piccoli oggetti che potrebbero essere pericolosi se ingeriti. Tenere questi oggetti lontano dalla portata dei bambini.

Questo prodotto è destinato esclusivamente ad uso interno. L'uso di questo prodotto all'aperto potrebbe causare guasti al prodotto e lesioni personali.

**IMPORTANT:** assicurarsi di aver ricevuto tutte le parti come da elenco di controllo dei componenti prima dell'installazione. In caso di parti mancanti o difettose, telefonare al proprio distributore locale per una sostituzione.

**MANUTENZIONE:** verificare che la staffa sia ben installata e assicurarsi di utilizzarla regolarmente (almeno ogni tre mesi).

---

**ES**  Lea todo el manual de instrucciones antes de comenzar la instalación y ensamble de la unidad. Si tiene alguna inquietud con respecto a las instrucciones o advertencias, comuníquese con su distribuidor local.



**PRECAUCIÓN:** utilizar con productos de mayor peso al indicado en los límites de peso podría ocasionar inestabilidad y posibles heridas personales.

• Los soportes deben acoplarse tal como se indica en las instrucciones de ensamble. Una incorrecta instalación podría ocasionar daños y serias heridas personales.

• Utilice las herramientas y equipo de seguridad adecuados. Este producto solo debe ser instalado por profesionales.

• Asegúrese de que la superficie de fijación sostenga de manera segura el peso total del equipo y todos sus componentes y hardware.

• Utilice los tornillos de ensamble suministrados y NO aplique demasiada tensión a los tornillos.


• Este producto contiene piezas pequeñas que representan un riesgo de asfixia. Mantenga estas piezas fuera del alcance de los niños.

• Este producto está diseñado para uso en interiores solamente. Utilizar este producto en exteriores podría ocasionar fallas y heridas personales.

**IMPORTANT:** Asegúrese de que haya recibido todas las piezas según la lista de verificación de componentes para la instalación. Si falta alguna de las partes, o está dañada, comuníquese con su distribuidor.

**MANTENIMIENTO:** Compruebe periódicamente que el soporte esté asegurado y listo para usar (al menos cada tres meses).

---

**PT**  Leia todo o manual de instruções antes de iniciar a instalação e montagem. Se você tiver alguma dúvida sobre quaisquer uma das instruções ou avisos, por favor, entre em contato com o seu distribuidor local para assistência.



**ATENÇÃO:** O uso com produtos mais pesados do que os pesos indicados pode resultar em instabilidade, causando possíveis danos.

• Os suportes devem ser anexados como especificado nas instruções de montagem. A instalação incorreta pode causar danos ou sérias lesões pessoais.

• Equipamentos de segurança e ferramentas adequadas devem ser utilizadas. Este produto só deve ser instalado por profissionais.

• Certifique-se que a superfície de suporte suportará com segurança o peso combinado do equipamento e todas as ferragens e componentes anexados.

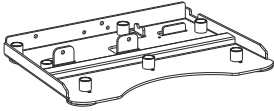
• Use os parafusos de montagem fornecidos e NÃO APERTE EXCESSIVAMENTE os mesmos.

• Este produto contém pequenas peças que podem causar asfixia se ingeridas. Mantenha essas itens longe do alcance de crianças.

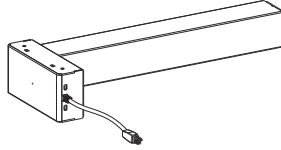
• Este produto destina-se somente para uso interno. Usá-lo em ambiente externo pode causar falhas no produto e lesões pessoais.

**IMPORTANT:** Assegure-se que você recebeu todas as peças, de acordo com a lista de componentes, antes da instalação. Se alguma peça estiver faltando ou é defeituosa, contate o seu distribuidor local para substituição.

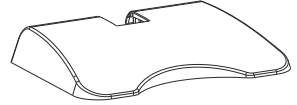
**MANUTENÇÃO:** Certifique-se que o suporte seja seguro e protegido para o uso em intervalos regulares (pelo menos a cada três meses).



**A (x1)**



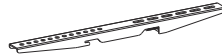
**B (x1)**



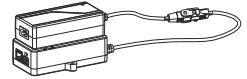
**C (x1)**



**D (x1)**



**E (x2)**



**F (x1)**



**G (x1)**



**H (x1)**



**I (x4)**



**J (x2)**



**K (x12)**



**L (x1)**



**M (x1)**



**N (x1)**



**O (x1)**



**P (x1)**



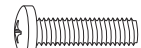
**M-A (x4)**  
M5x14



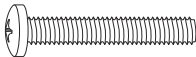
**M-B (x4)**  
M6x14



**M-C (x4)**  
M6x30



**M-D (x4)**  
M8x30



**M-E (x4)**  
M8x50



**M-F (x4)**

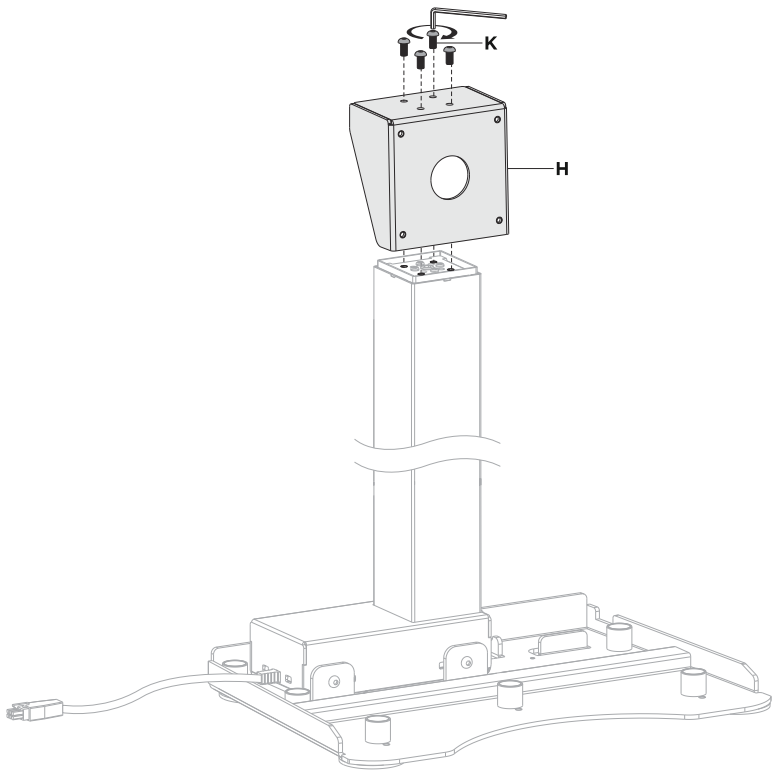
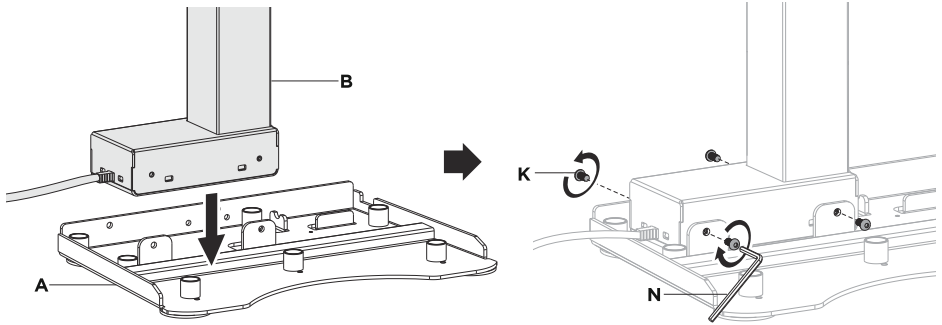


**M-G (x8)**

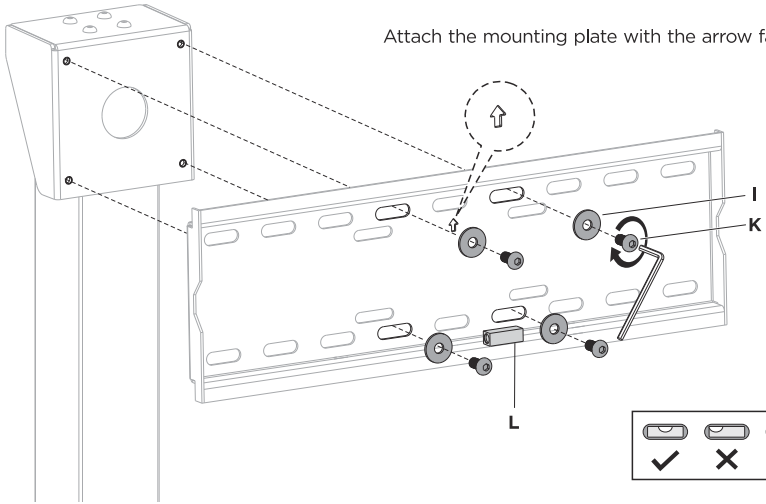


**M-H (x8)**

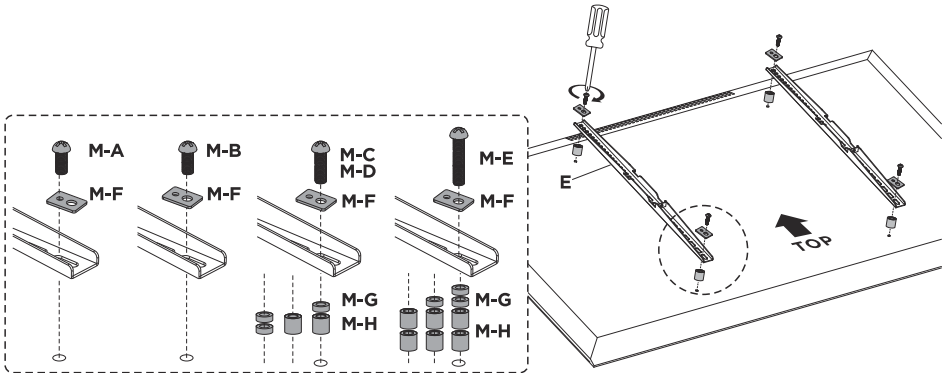
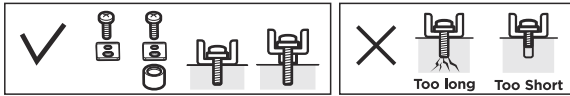
1.



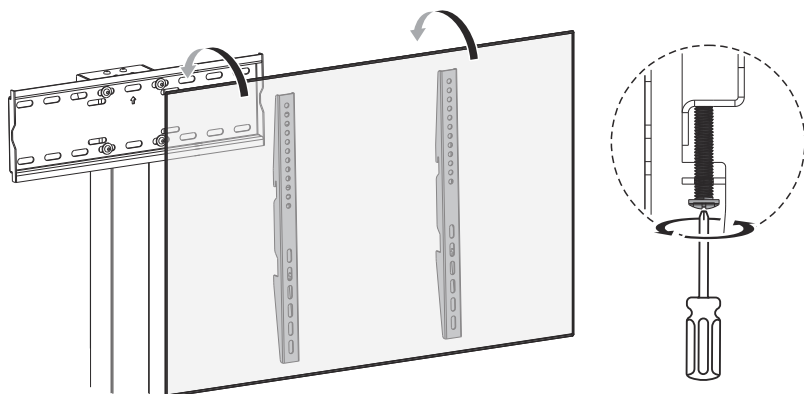
2.



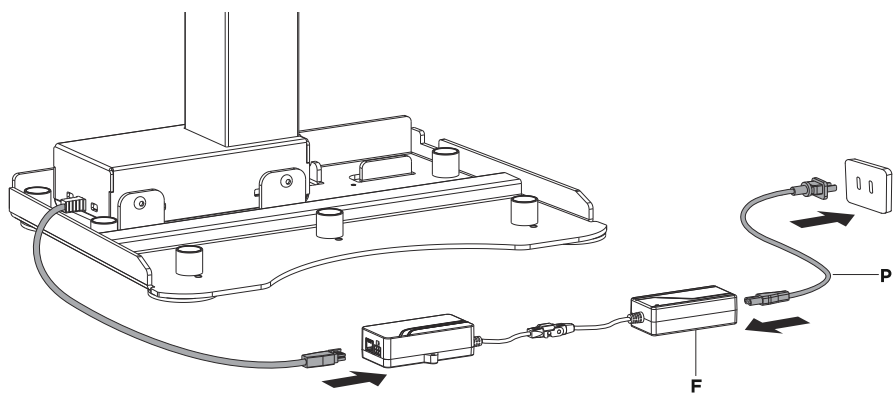
3.

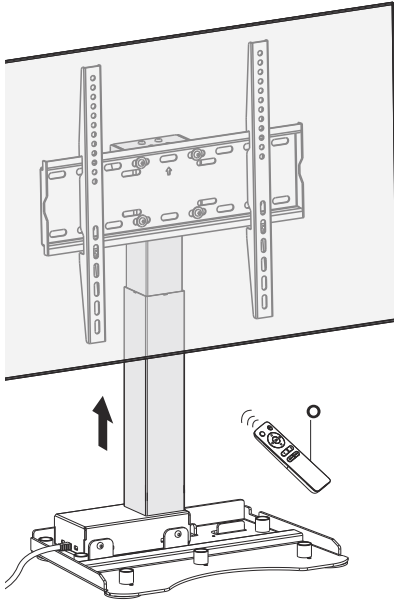


4.



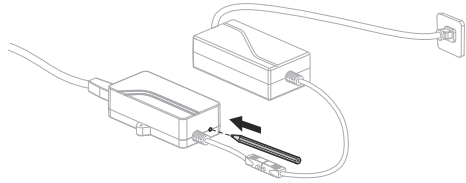
5.





**Note:** Insert 2 AAA batteries(not included) into the controller prior to adjust the TV Stand.

Adjust the height by pressing the "△" and "▽" buttons on the remote control. If the TV Stand fails to rise or lower, please match code between TV Stand and the remote control by following the instruction below

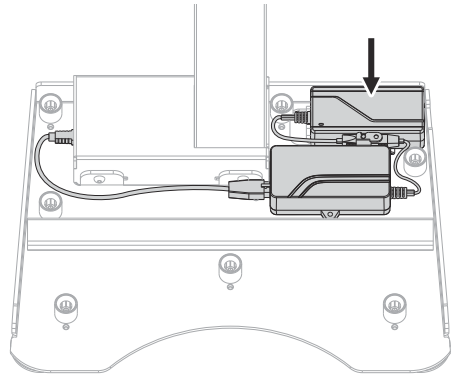
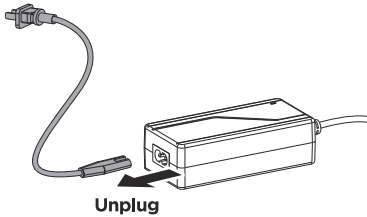


**Pairing the Remote to the Mount**

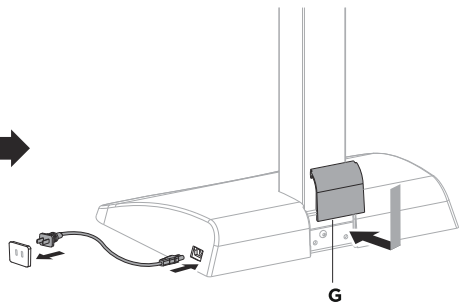
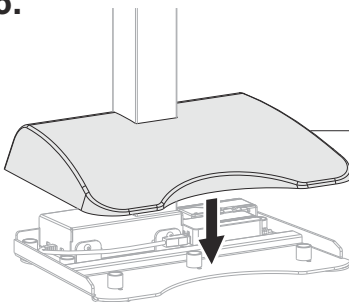
**STEP1:** When the mount is powered on, press the small button on the control box with a paper clip or pencil as shown. The unit will emit a beep, indicating that the control box is on standby for program coding.

**STEP2:** Press the "Ⓜ" button on the remote control, and you will hear repeated beeps for approximately 10 seconds indicating that the remote control is being programmed. The unit will emit a beep again indicating success.

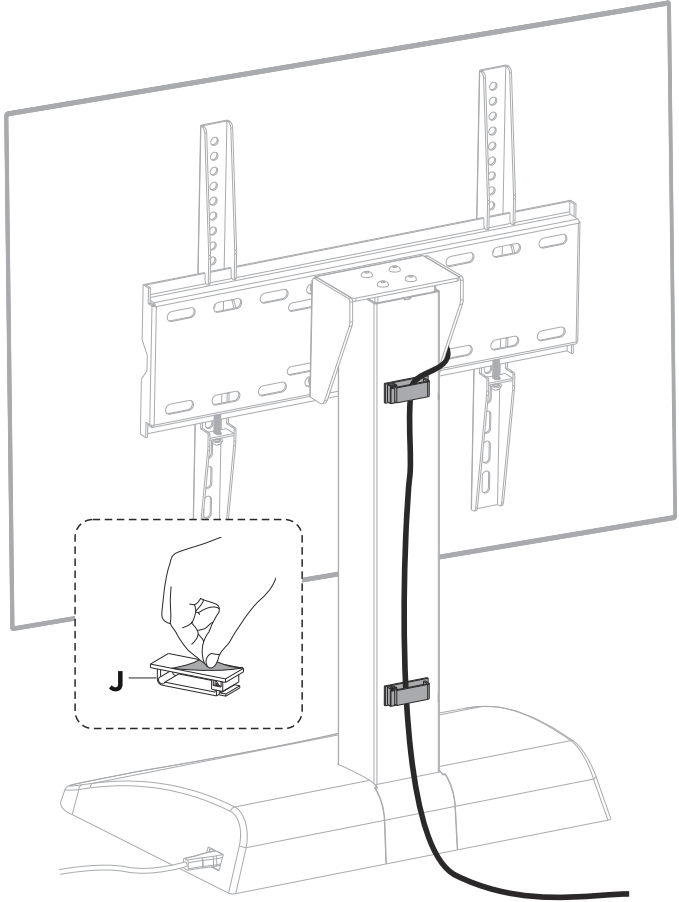
Once you have the TV Stand in position, unplug the power cord and attach the power adapters to the position on the base as shown in the illustration at the right.



6.

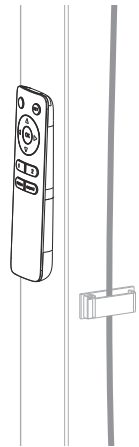
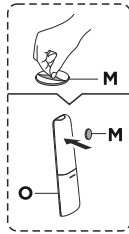
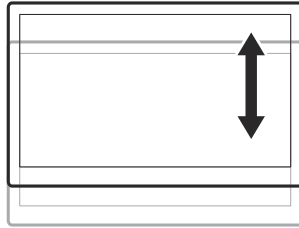


7.





8.



**The product is powered by electricity. In order to avoid burns, fire and electric shock and make sure the safe and correct use of the system and maintain the longevity of the overall construction and the built-in electronics, please read the instructions carefully.**

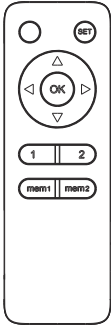
### **Warnings**

- This appliance can be used by children aged from 8 years and above if they have been given supervision or instruction concerning use of the appliance in a safe way and understand the hazards involved. Children shall not play with the appliance. Cleaning and user maintenance shall not be made by children without supervision.
- Persons with reduced physical, sensory or mental capabilities or lack of experience and knowledge must not use the appliance, unless they're under supervision, understand the hazards involved or they have been thoroughly instructed in the use of the apparatus by a person who is responsible for the safety of these persons.
- Don't leave the cords or plug unorganized in order to prevent tripping hazards.
- Any attempts to reconstruct the construction aren't allowed.

### **Electrical Safety Instructions**

- The appliance is only to be used with the power supply unit provided with the appliance. Alterations of the given power unit aren't allowed.
- Never operate the system with a damaged power supply cord or plug. If any parts is damaged, please contact your service agent of purchase for a replacement.
- Never operate the system if it's in moist environment or its electrical components has contact with liquids.
- Don't clean the product while the power is still connected.
- Don't disassemble or replace components while the power is still connected.
- Unplug the appliance when the system isn't in use, and place the power plug out of children reach.

## Remote Control User Guide



### 1. UP/DOWN ARROWS

Press and hold the "△" button to raise the Mount. Press and hold the "▽" button to lower the Mount.  
**Note:** Remove all surrounding items prior to adjusting the Mount height.

### 2. Memory Setting

Long press the "mem1" or "mem2" button for 3 seconds until you hear a beep, indicating that the current position has been saved to memory. The "mem1" or "mem2" buttons can each store a different position.

### 3. Recall Memory

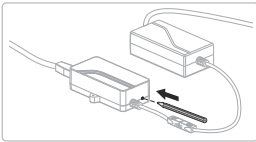
Press the "1" or "2" button and the mount will automatically get to the position saved in the corresponding button "mem1" or "mem2".

### 4. Default Setting

Short press the "OK" button and the mount will automatically retract to the lowest position. To stop it, press the "OK" button again.

### 5. Reset Mode

Long press the "OK" button for 3 seconds until you hear a beep, and the mount starts to move downwards. Then the mount will move upwards a little bit when reaching the lowest position and automatically come to a stop. The system resets successfully when the unit emits two beeps.



### 6. To Unpair a Remote Control

Press the small button on the control box with a paper clip or pencil as shown. With hearing a beep, hold and press the button for 5 seconds until you hear a beep again. The unpairing process is completed.



### Disposal:

The product with this mark indicates that this product shouldn't be disposed with other household wastes throughout the EU. To prevent possible harm to the environment or human health from uncontrolled waste disposal, recycle it responsibly to promote the sustainable reuse of material resources. To return your used device, please use the local recycle service or contact your point of purchase to withdraw the product.

## Troubleshooting Guide

### 1. Can't operate

#### There are 7 possibilities:

- Incorrect operation. Check if the unit beeps once after pressing a button. If so, please follow the instructions found in the manual to properly operate the mount.
- The system of Mount may be error. Check if the unit beeps three times after pressing a button. If so, please reset the system.
- The system may be overheating. Check if the unit beeps four times after pressing a button. If so, allow the unit to cool down (about 30 minutes).
- The AC/DC end of the power cord may be unplugged/disconnect from the outlet/mount. Check the connection to ensure the unit is powered.
- The operating distance may be too far and not in range of the mount. Using the remote control within 30 feet (10m) from the Mounts.
- The batteries in the remote control may be low or dead. Replace the batteries.
- The remote control may be broken. Check to see if the indicator LED found on the remote lights when a button is pressed. If not, contact your place of purchase for a replacement.

### 2. The TV mount stops moving during operation and emits a long beep.

- Remove all surrounding items.
- The weight of TV may exceed the maximum weight limitation of the mounting system.
- The motor wire may be broken. Reset the system. If the problem still exists, contact your place of purchase for replacement.

### 3. The TV mount is making an abnormal noise or sound.

- Check all power connections and reset the system. If the unit continues to make an abnormal noise, please contact your place of purchase for a replacement.