

ACST-200

CURRENT SENSE TRANSFORMER

FEATURES

- Primary Current Range 0.4 to 30 Arms
- Dielectric Strength 4000 Vrms
- Split bobbin design for 5.5 mm or 8.0 mm creepage and clearance
- Low profile (16 mm height)
- UL approved Class B insulation system



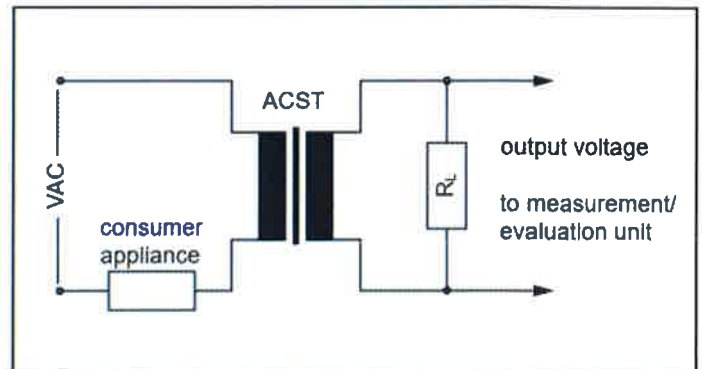
GENERAL DATA

Primary Current Range	0.4 to 30 Arms
Frequency Range	50 to 200 Hz (sinusoidal)
Primary Resistance DC value Impedance at 50 Hz	max. 600 microohms typical < 1 milliohm
Clearance	5.5 or 8.0 mm
Creepage	5.5 or 8.0 mm
Solid Insulation	min. 1.5 mm
Dielectric Strength (at sea level for 1 min.)	4000 Vrms between primary and secondary
Ambient Temperature Operating	Primary Current Range 0.4 to 30 A -40°C (-40°F) to 70°C (158°F) Primary Current Range 0.4 to 20 A -40°C (-40°F) to 85°C (185°F)
Storage	-40°C (-40°F) to 105°C (221°F)
Vibration	0.062" (1.5 mm) DA at 10–55 Hz
Shock	10 g
Bobbin	Nylon 66
Terminals	Tinned copper alloy, P.C.
Max. Solder Temp.	270°C (518°F)
Max. Solder Time	5 seconds
Weight	13 grams
Packing unit in pcs	48 per plastic tray / 576 per carton box

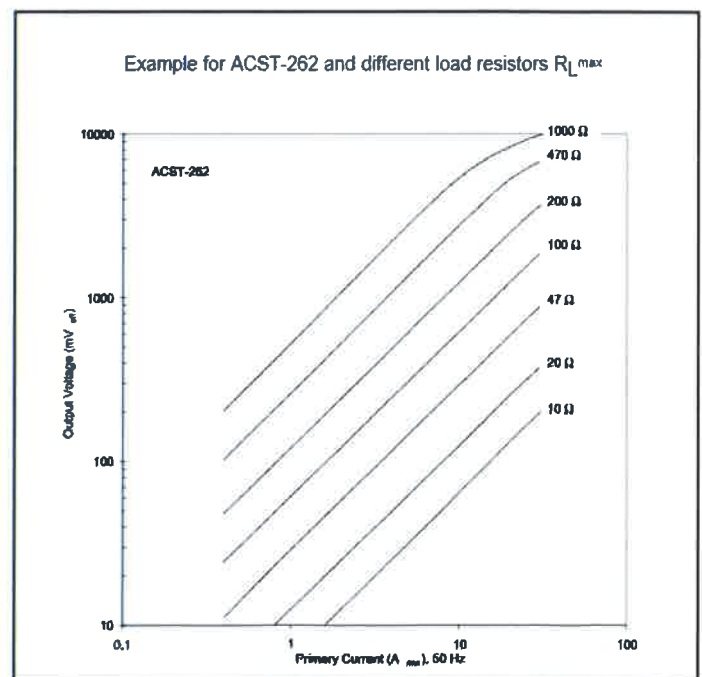
NOTES

1. All values at 20°C (68°F).
2. Additional technical information is available at www.ZETTLERelectronics.com
3. Specifications subject to change without notice.

TYPICAL APPLICATION DIAGRAM



OUTPUT VOLTAGE



ZETTLER electronics GmbH

Junkersstrasse 3, D-82178 Puchheim, Germany

Tel. +49 89 800 97 0
Fax +49 89 800 97 200

office@ZETTLERelectronics.com
www.ZETTLERelectronics.com

2011-07-20

ACST-200

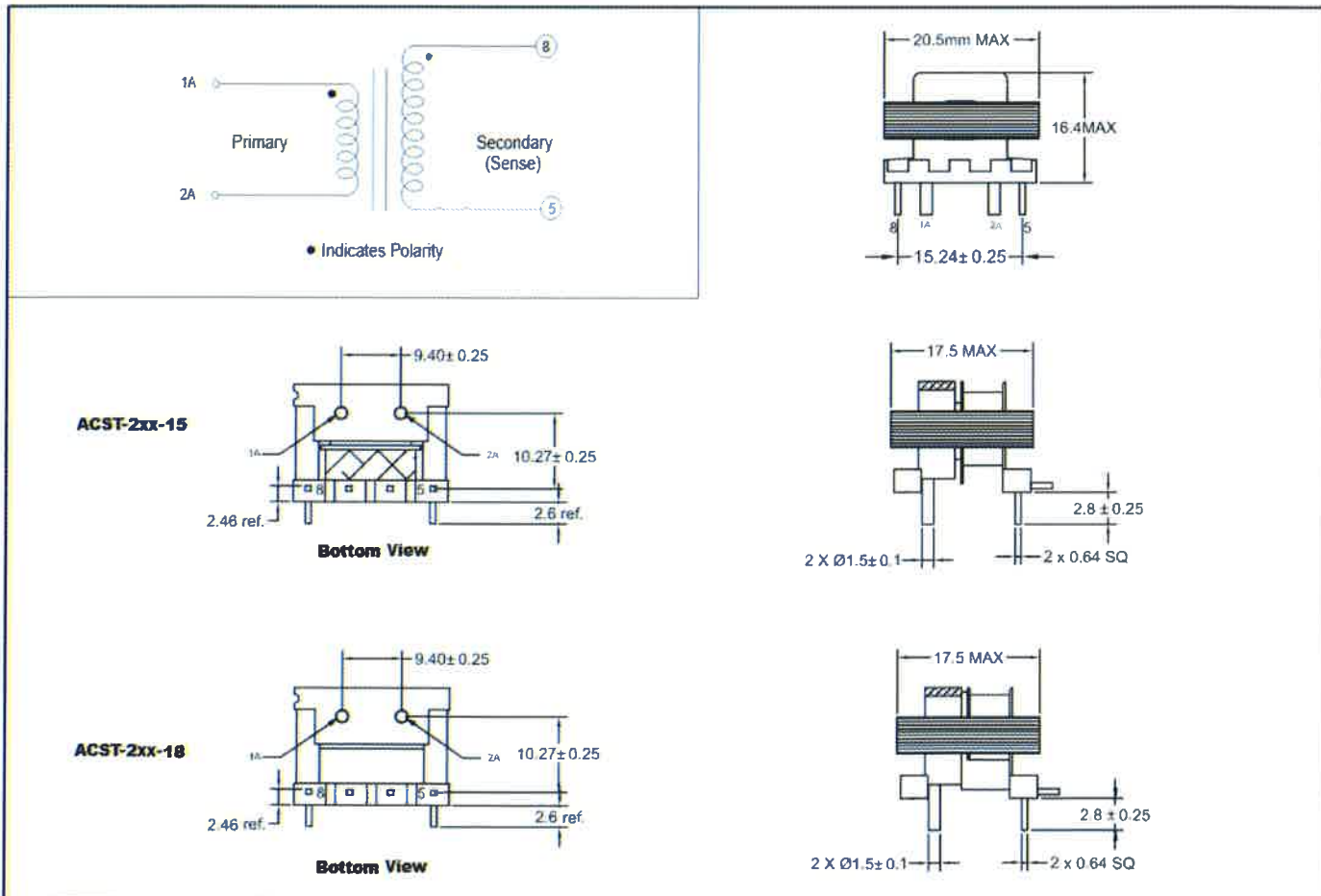
ORDERING DATA

ELECTRICAL DATA					
Part Number 1)	Turns Ratio	R_L^{max} (Ohms) 2)	Output (mV / A) \pm 5% 3)	Secondary Resistance (DC / Ohms) \pm 10%	Secondary Inductance (H) \pm 30% 4)
Preferred Type					
ACST-262-15	1:1500	200	123.3	236	5.2
Other Available Versions					
ACST-255-15	1:50	0.2	3.75	0.198	0.008
ACST-256-15	1:100	1	9.7	0.8	0.025
ACST-257-15	1:150	2	13.9	1.7	0.05
ACST-258-15	1:200	4.7	20.0	3.2	0.12
ACST-259-15	1:300	10	31.7	7.8	0.27
ACST-260-15	1:500	20	37.2	12.1	0.72
ACST-261-15	1:1000	100	91.7	81	2.4

NOTES:

- 1) "-15" indicates 5.5 mm clearance and creepage; substitute it with "-18" for 8.0 mm clearance and creepage.
- 2) The output voltage is linear in the whole range of primary current, if the chosen load resistor is not higher than value R_L^{max} .
- 3) Measured at primary current of 10 Arms, 50 Hz and load resistor value R_L^{max} .
- 4) Measured at 1 V, 100 Hz, serial.

MECHANICAL DATA



Dimensions in mm.

ZETTLER electronics GmbH

Junkersstrasse 3, D-82178 Puchheim, Germany

Tel. +49 89 800 97 0
Fax +49 89 800 97 200

office@ZETTLERelectronics.com
www.ZETTLERelectronics.com

2011-07-20