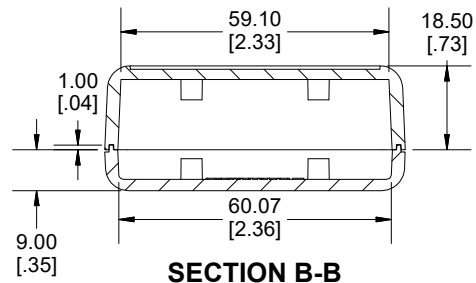
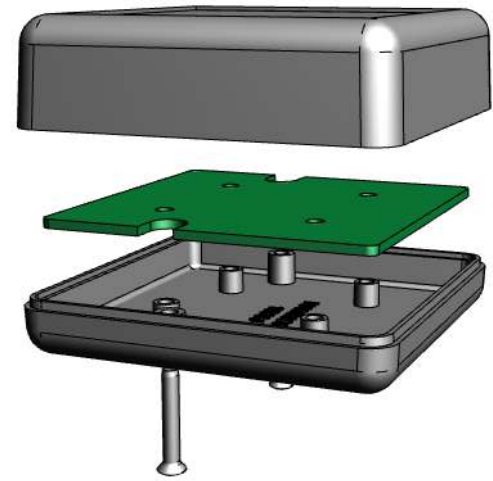
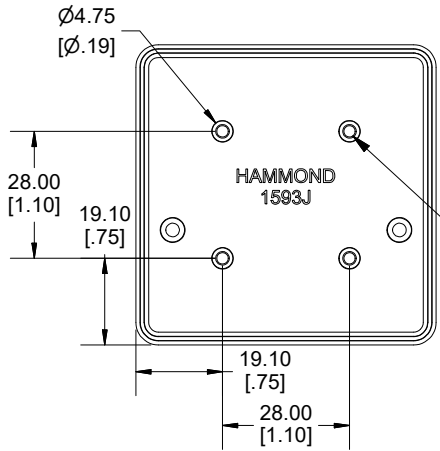
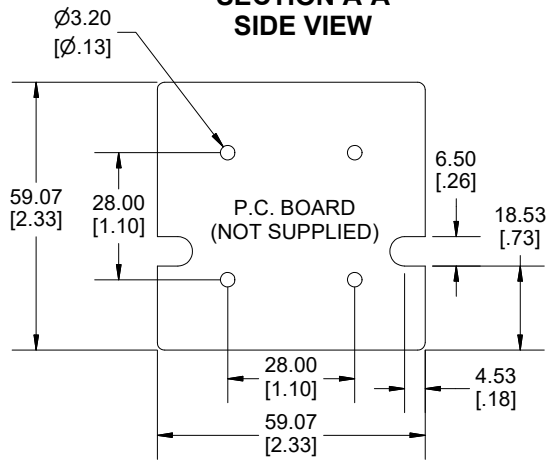


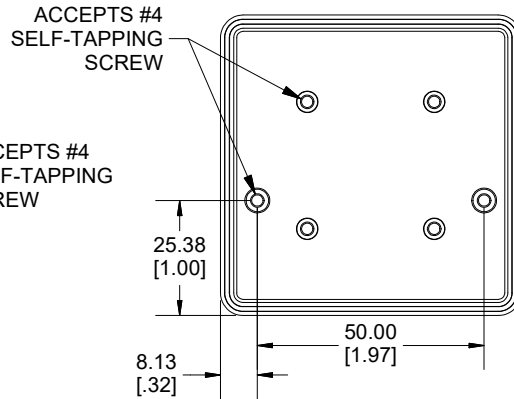
SECTION A-A  
SIDE VIEW



SECTION B-B  
END VIEW



INSIDE BOTTOM



INSIDE TOP

Enclosures can be Factory Modified (Milling, Drilling, Printing etc.)  
Contact Factory ([modshop@hammfg.com](mailto:modshop@hammfg.com)) for quotes  
Solid models of this enclosure available in .stp or .x\_t  
(Part number and text placement/orientation on our products are subject to change, we do not recommend using them as a locating reference for modification purposes)

| NOTE   |                      |
|--|----------------------|
| Enclosure molded from GP ABS (UL94-HB) plastic.<br>Purchased assembly includes top and bottom cover, and 2 cover screws. |                      |
| Recommended Cover Screw Torque - 57lbf-in (40cN-m)   |                      |
| 1593   |                      |
| 1593J Regular Enclosure  |                      |
| Black Enclosure  | 1593JBK              |
| Grey Enclosure   | 1593JGY              |
| Translucent Blue Enclosure   | 1593JTBU             |
| ACCESSORIES  |                      |
| Cover Screws #4 X 3/4" Self-Tapping (100 Pkg)  | 1593QS100 (Silver)   |
|  | 1593QS100BK (Black)  |
| P.C. Board Screws #4 X 1/4" Self-Tapping   | 1593ATS50 (Pkg 50)   |
|  | 1593ATS100 (Pkg 100) |
| Nylon Belt Clip  | 1599CLIP (Black)     |
|  | 1599CLIPGY (Grey)    |

Dimensions:  
mm  
[inches]

**HAMMOND  
MANUFACTURING**  
1593J  
[www.hammondmfg.com](http://www.hammondmfg.com)