



A4

TYPICAL APPLICATIONS Vacuum cleaners, H VAC

- FUNCTIONS**
- SPST, momentary or not
 - DPST, illuminated or not
 - DPCO
 - DPDT, momentary or not

CYCLE No. 50.000

CUT OUT 19x22 mm

AMBIENT TEMPERATURE 125 °C

GWT 850 °C

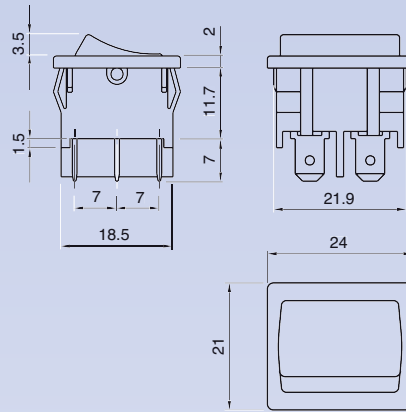
GWT NO FLAME (<2sec) 750 °C on demand



A

4

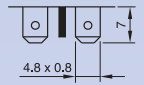
DRAWING



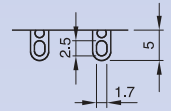
?

TERMINAL

1

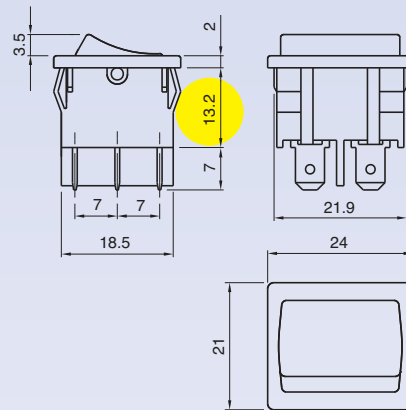


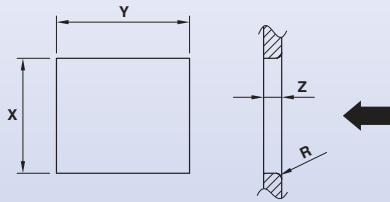
2



WATERPROOF CAP

Function 9





Z	Y	X
0,7 ... 1,25	22,0 ±0,1	19,0 ±0,2
1,25 ... 2,0	22,0 ±0,1	19,3 ±0,2
2,0 ... 3,0	22,0 ±0,1	19,6 ±0,2

TERMINAL	FUNCTION	RATING	BODY COLOUR	ROCKER COLOUR	MARKING COLOUR	MARKING
A	4					0 0 0

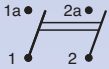
?	?	?	?	?	?	0	0	0
---	---	---	---	---	---	---	---	---

FUNCTION

1



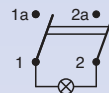
2



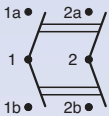
4



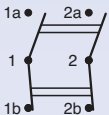
8



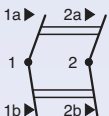
9



L



M



RATING

2

Function 4 - M

6 (2) A / 250 VAC
3 (1) A / 250 VAC - 5E4
T125/55 °C - T125 °C
EN 61058

6 A - 125 / 250 VAC
1/6 HP - 250 VAC
1/10 HP - 125 VAC
T105 °C
UL 1054
CSA C22.2

3

Function 1 - 2 - L - 8

10 (4) A / 250 VAC
6 (4) A / 250 VAC - 5E4
T125/55 °C - T125 °C
EN 61058

10 A - 125 / 250 VAC
1/3 HP - 125 VAC
1/2 HP - 250 VAC
T105 °C
UL 1054
CSA C22.2

6

Function 9

10 (2) A / 250 VAC
6 (1) A / 250 VAC - 5E4
T125/55 °C - T125 °C
μ disconnection
EN 61058

6 A - 125 / 250 VAC
1/8 HP - 125 VAC
1/6 HP - 250 VAC
T105 °C
UL 1054
CSA C22.2

B

Function 2

13 (4) A / 250 VAC
8 (8) A / 250 VAC - 5E4
T125/55 °C - T125 °C
EN 61058

15 A / 125 VAC
10 A / 250 VAC
1/3 HP - 125 VAC
1/2 HP - 250 VAC
T105 °C
UL 1054
CSA C22.2

Function 9

13 (4) A / 250 VAC
6 (4) A / 250 VAC - 5E4
T125/55 °C - T125 °C
μ disconnection
EN 61058

15 A / 125 VAC
10 A / 250 VAC
1/3 HP - 125 VAC
1/2 HP - 250 VAC
T105 °C
UL 1054
CSA C22.2

BODY COLOUR

1

black

2

white

X

?

custom

ROCKER COLOUR

1

black

2

white

ILLUMINATED ✨

G

red

H

orange

E

green

L

white

X

?

custom

MARKING COLOUR

0

none

1

black

2

white

5

grey

7

light blue

8

red

9

orange

X

?

custom

MARKING

0



1



2



3



5



9



C



K



N



Z



X





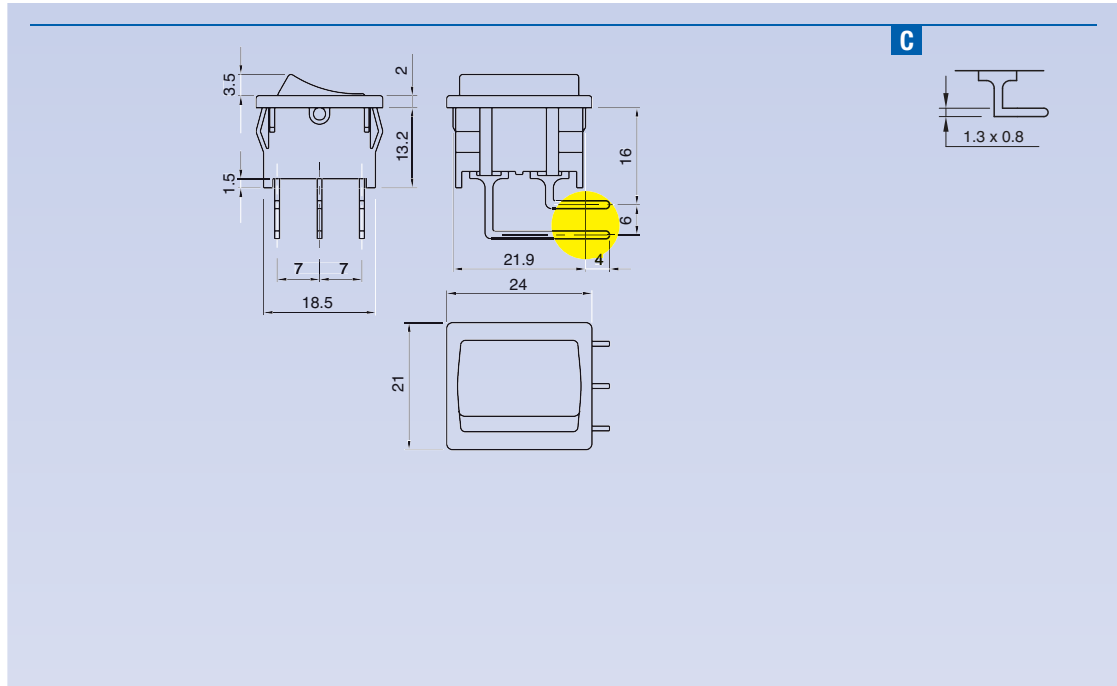
A4

TYPICAL APPLICATIONS	Vacuum cleaners, H VAC
FUNCTIONS	<ul style="list-style-type: none"> ■ DPST, illuminated or not ■ DPDT
CYCLE No.	50.000
CUT OUT	19x22 mm
AMBIENT TEMPERATURE	125 °C
GWT	850 °C
GWT NO FLAME (<2sec)	750 °C on demand



A **4**

DRAWING

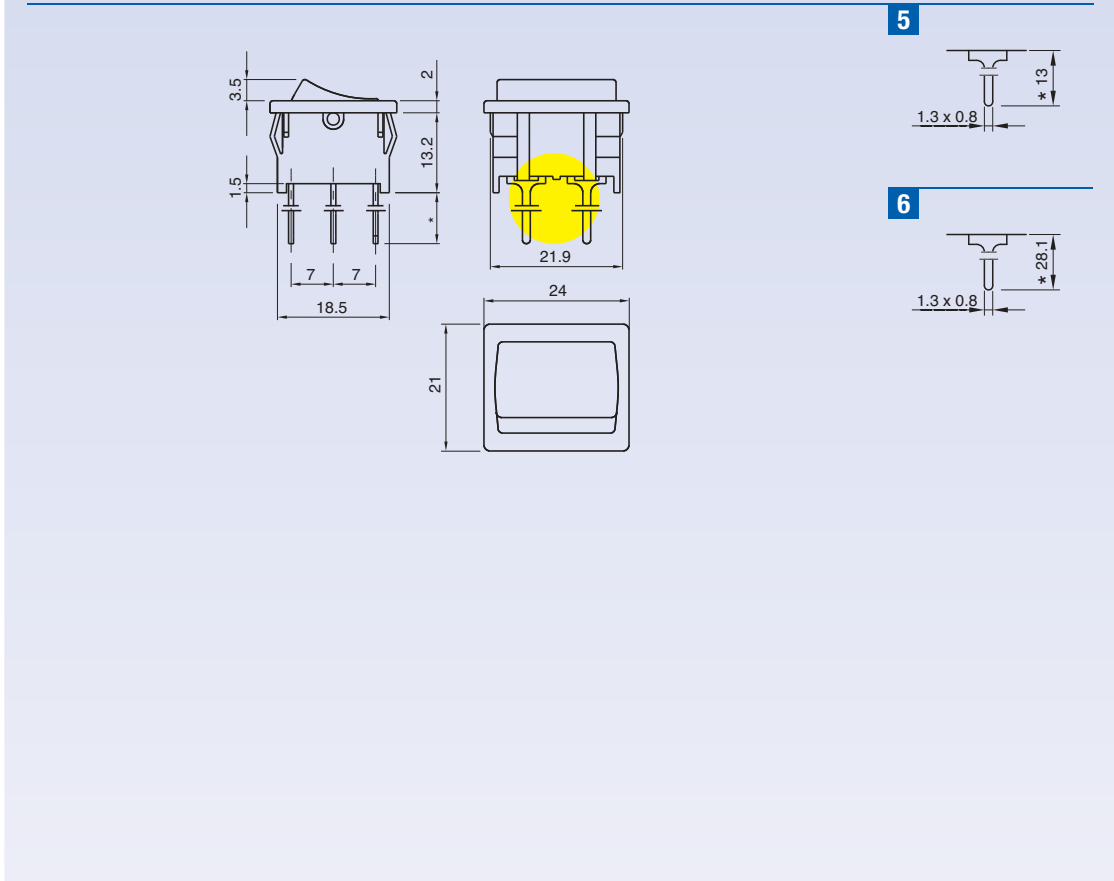


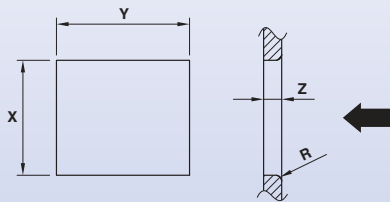
?

TERMINAL



WATERPROOF CAP





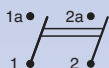
Z	Y	X
0,7 ... 1,25	22,0 ±0,1	19,0 ±0,2
1,25 ... 2,0	22,0 ±0,1	19,3 ±0,2
2,0 ... 3,0	22,0 ±0,1	19,6 ±0,2

TERMINAL	FUNCTION	RATING	BODY COLOUR	ROCKER COLOUR	MARKING COLOUR	MARKING
A	4					0 0 0

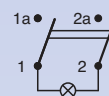
?	?	?	?	?	?	?	0	0	0
---	---	---	---	---	---	---	---	---	---

FUNCTION

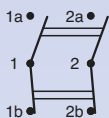
2 Terminal C - 6



8 Terminal C



L Terminal 5



RATING

3

10 (4) A / 250 VAC
6 (4) A / 250 VAC - 5E4
T125/55 °C - T125 °C
EN 61058

10 A - 125 / 250 VAC
1/3 HP - 125 VAC
1/2 HP - 250 VAC
T105 °C
UL 1054
CSA C22.2

BODY COLOUR

1

black

2

white

X

custom

ROCKER COLOUR

1

black

2

white

ILLUMINATED ✨

G

red

H

orange

E

green

L

white

X

custom

MARKING COLOUR

0

none

1

black

2

white

5

grey

7

light blue

8

red

9

orange

X

custom

MARKING

0



1



2



3



5



C



K



Z



X

