

Board-to-Wire Connectors Pitch 2.54 mm Series Floppy

Power Connection 4 poles PCB, angled



SPECIFICATION:

Operating Voltage (Max.):	250 V
Operating Temperature:	-25°C to 85°C
Insulation Resistance (Min.):	1000 MΩ
Contact Resistance (Max.):	20 mΩ
Dielectric Strength:	800 Vac

MATERIAL:

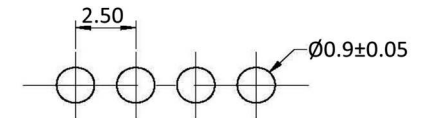
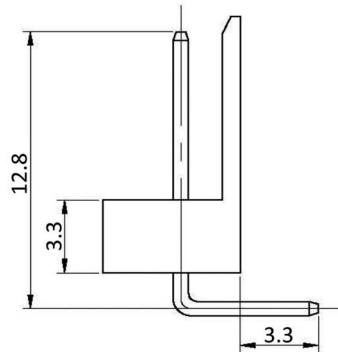
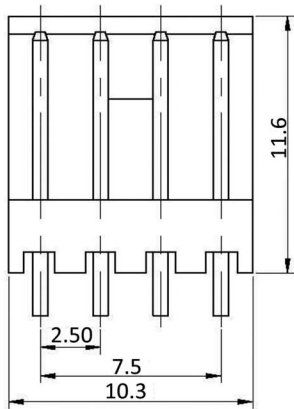
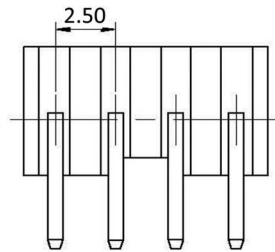
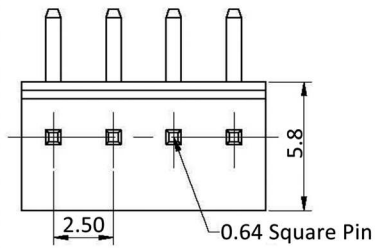
Material (Terminal):	brass, tin plated
Material (Housing):	nylon 66
Flammability Class:	UL 94 V-0
Material (Contact Area):	brass, tin plated

HANDLING:

Packaging:	bulk
------------	------

TOLERANCE:

.X:	± 0.30
.XX:	± 0.20



RECOMMENDED P.C.BOARD HOLE DIMM.

Order Information

Identifier:

FK03PWN

Wafer 4 poles pitch 2.5 mm angled