

# W Docking Board with TFT LCD

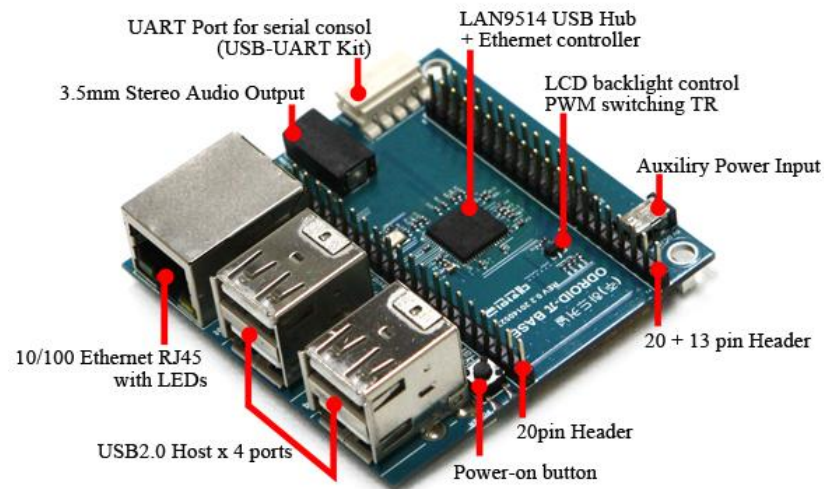
## Docking board for ODROID-W

- 4 x USB host ports
- 10/100 Ethernet port
- 2.2inch 320x240 QVGA color TFT LCD assembled
- Audio stereo jack (3.5mm)
- UART port for serial console
- Board size : 60 x 60 x 21mm including LCD module

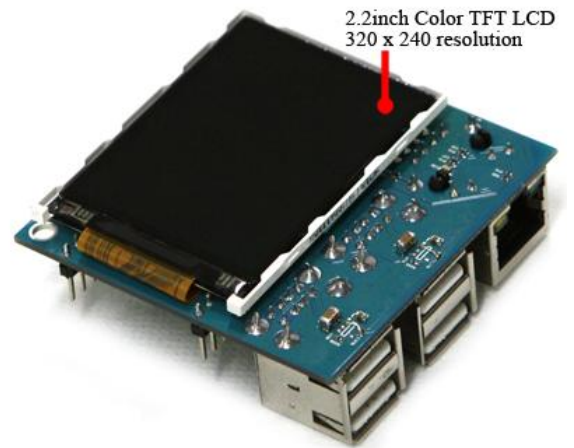
\* You need a W Connector Pack to stack the ODROID-W on the Docking board.



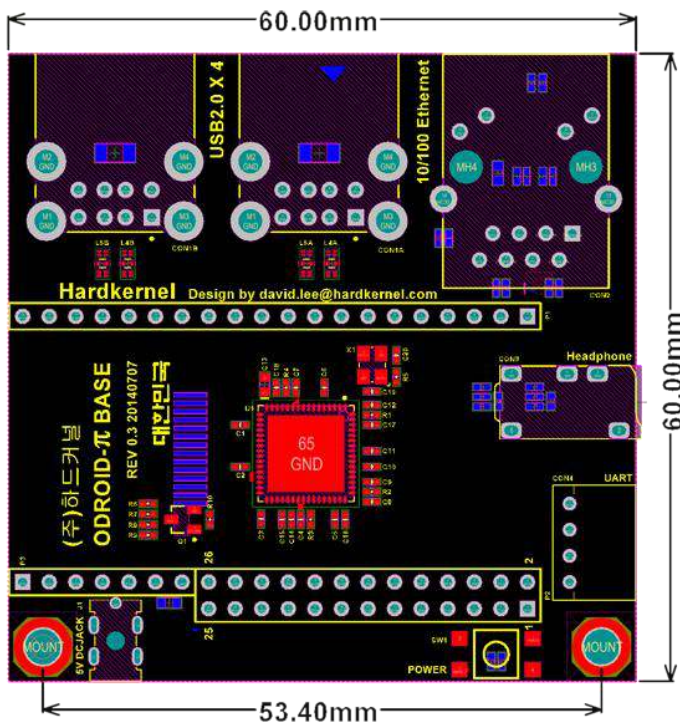
## BOARD DETAIL



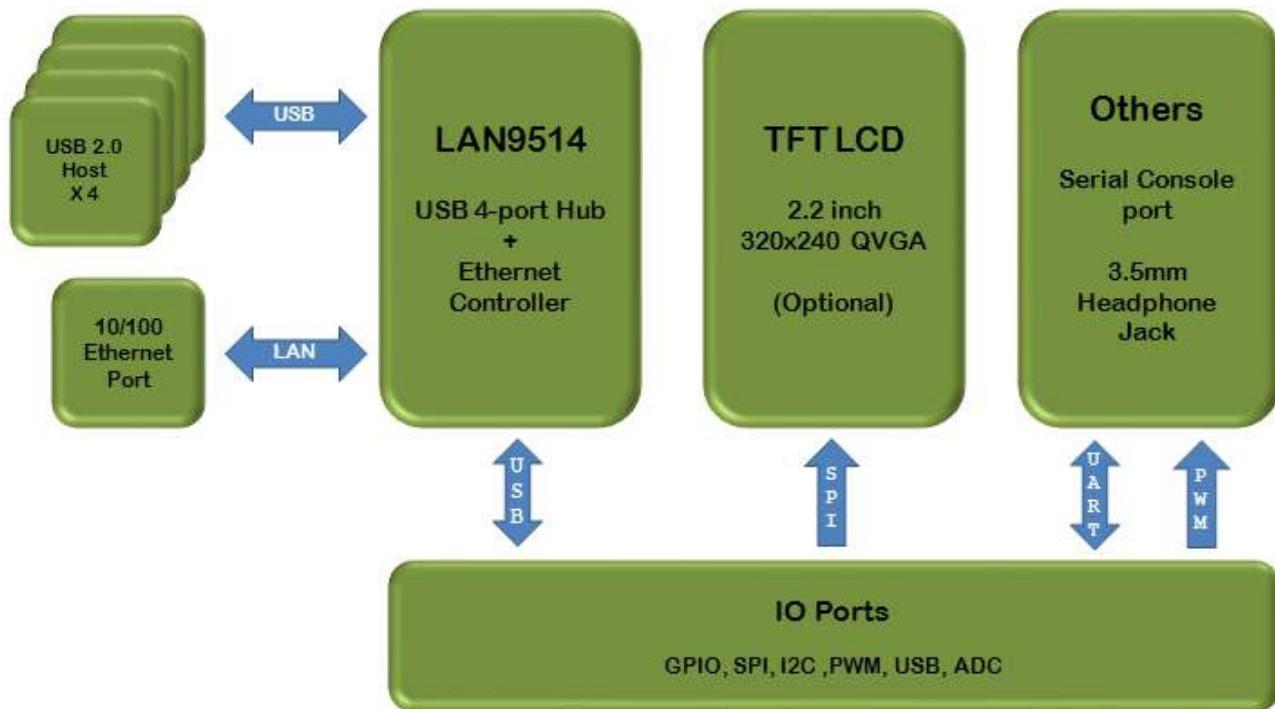
W Docking Board with LCD  
Size : 60 x 60 x 21mm(Approx)



## PCB SIZE



## BLOCK DIAGRAM



Full schematics : [Docking\\_Board\\_for\\_W\\_rev0.3.pdf](#)

PCB Design file for Altium : [Docking\\_Board\\_for\\_W\\_rev0.3.zip](#)

PCB Gerber file : [DockingBoardForw\\_rev0.3\\_gerber.zip](#)