

# Datenblatt

## DC Power Jack

### Vertical Panel Mount

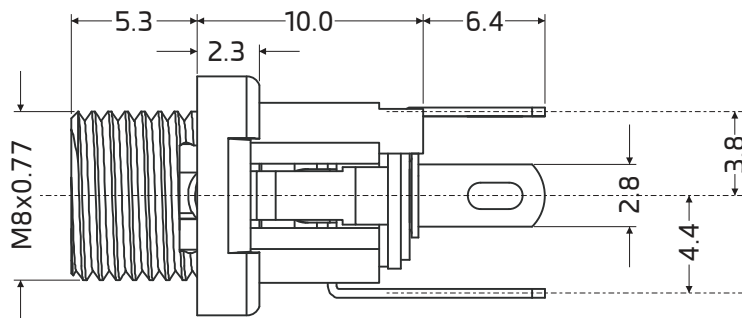
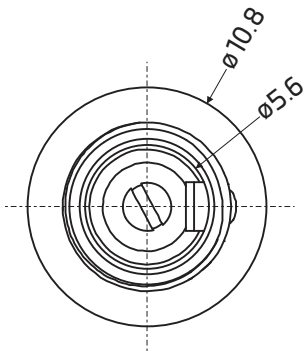
## DC Power Jack for plug 5.5/2.5mm, Vertical Panel Mount, Solder Lugs



### Specification

Material  
 Housing: PBT  
 Contact Pin: Brass, Nickel plated  
 Terminals: Phosphor Bronze, Tin plated  
 Current rating: 3A  
 Voltage rating: 24 Vdc  
 Withstand voltage: 500 Vac/60sec.  
 Connector resistance: 30 mΩ max.  
 Insulation resistance: 100 MΩ min.  
 Operation temperature: -20°C ~ 70°C

Connection type: Solder Lugs  
 Installation panel Thickness:  
 recommended 1.0 ~ 2.0 mm



Dimension: mm±0.2

