

A-A (1:1)

68,1

16,1

24,1

65

71,1

69,1

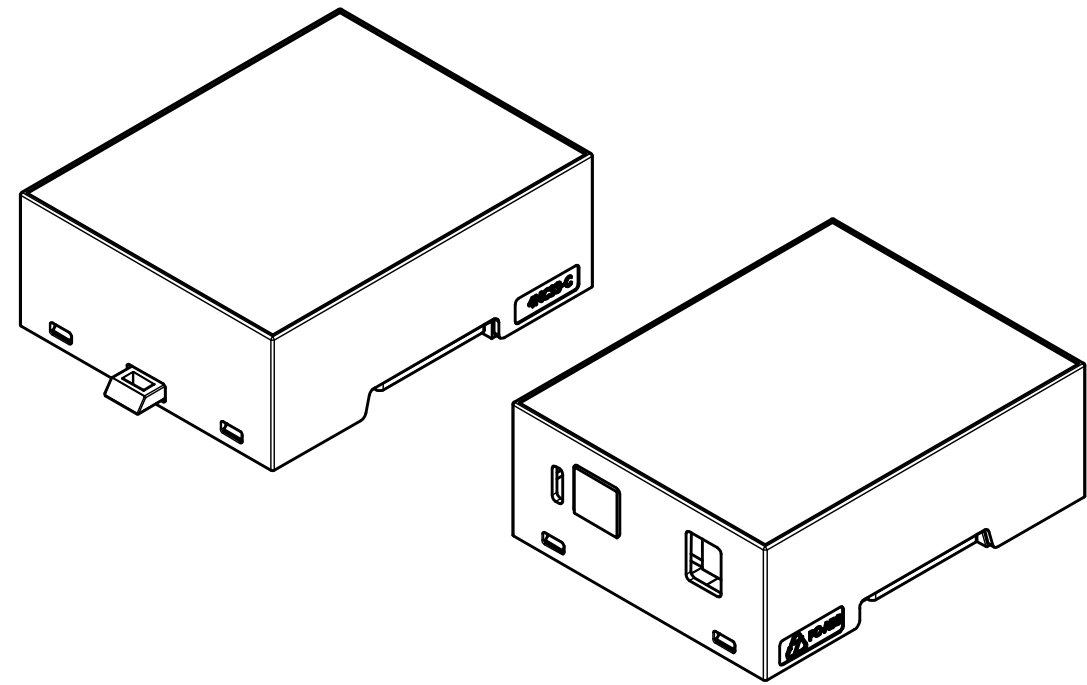
88

90

A

A

32,2



RIF.	Q.TY	DESCRIPTION	CODE
1	1	BASE 4M XT ARDUINO	M-05215
2	1	BODY 4MC33-C XTS FOR ARDUINO UNO AND 101	M-06457
3	1	HOOK MODULBOX LONG	M-01900
4	3	SCREW 2.9X6.5 d TRUNC	PM10012021

RESERVED PROPERTY: The present drawing cannot be reproduced or communicated to 3d parties, even partially, without the authorization of ITALTRONIC Srl. Italtronic reserves to protect its own rights according to the law.					5	4	3	2	1
GENERAL TOLERANCE		UNI EN 22768/1 Media (m)		Drawn:	Checked:	Revision description			
SHEET NR.	Dimension in mm	DRAWING BY	Date:	Rigato N.	Fanin F.	Scale: 1 : 1			
1 / 1			07/12/2016	Manual modification are not allowed	Replace nr.	Part number:			
				Denomination: KIT 4M XTS COMPACT ARDUINO UNO E 101					
				Drawing nr.		M-06458-00			
VIA AUSTRIA 25/D 35127 PADOVA - ITALY www.italtronic.com									