

REVISION RECORD			
REV	ECN	DESCRIPTION	DRFT DATE

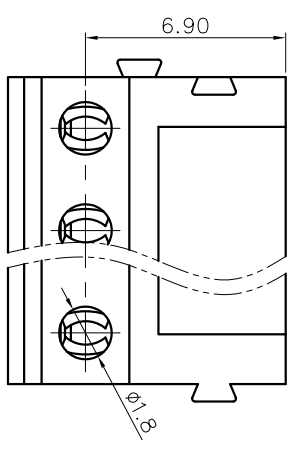
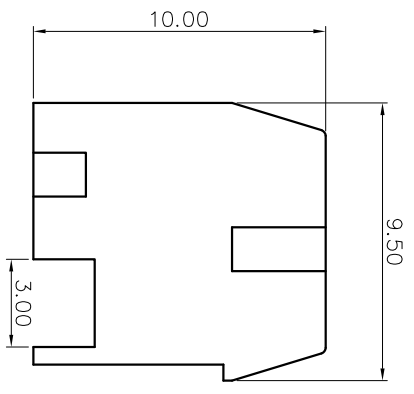
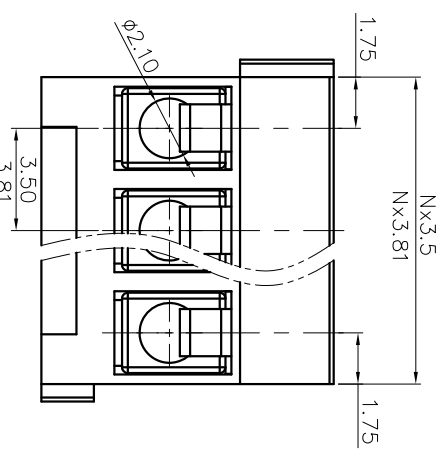
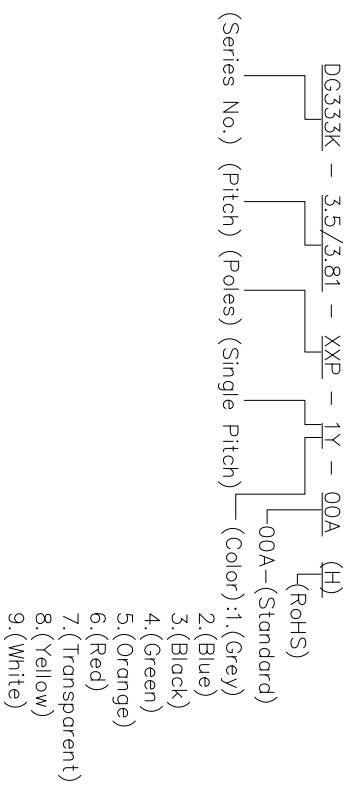
NOTES1:
 UL Standard
 1. Rated voltage/current : 300V / 8A
 2. Torque value : M2 , 1.77Lb.in
 3. Wire range : 28~16AWG

IEC Standard
 1. Rated voltage/current : 250V / 10A
 2. Torque value : M2 , 0.20N·m
 3. Wire range : 0.2~1.0mm²

NOTES2:
 1. Dimension shall be interpreted per ASME Y14.5-2009
 2. Pitch : 3.5/3.81mm, Poles : N=02~24P
 3. Stripping length : 4~5mm
 4. Withstanding voltage : AC2000V/1Min
 5. Operating temperature : -30°C~+120°C
 6. Undimensioned tolerances:

Pitch range in mm	Nominal dimension range in mm	Over	Over	Over	Over	Over	Over
TO	TO	TO	TO	TO	TO	TO	TO
6	10	10	30	60	100	150	0.1/10
±0.15	±0.20	±0.30	±0.50	±0.70	±1.00	±1.30	±2°

7. RoHS Compliance



DETACHED LISTS			
PART NO.:	/	NAME:	DEGSON NINGBO DEGSON ELECTRICAL CO., LTD 宁波高松电子有限公司
APPD:	2	TITLE:	CUSTOMER DRAWING
CHKD:	3	DRAWING NO.:	/
DRFT:	4	REV	DO
		SHEET	1/1
		SCALE	1:1

