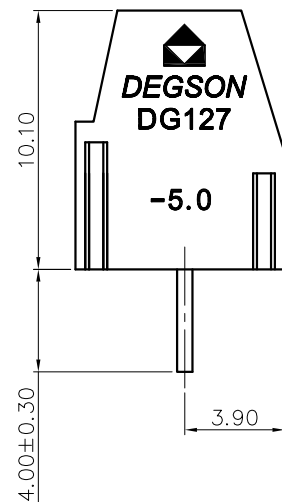
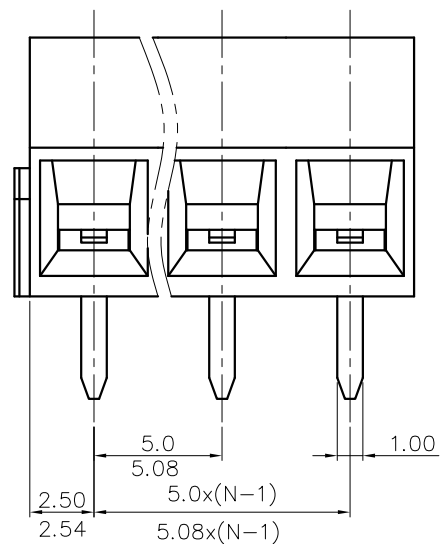
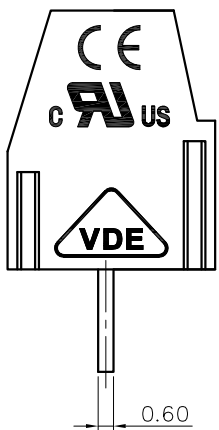
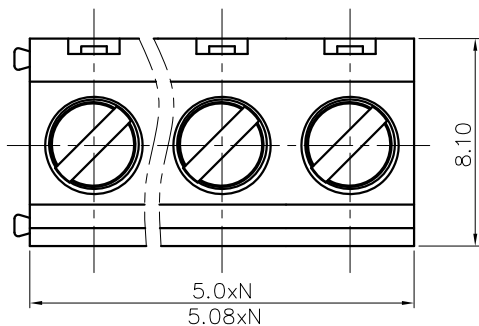


REVISION RECORD				
REV	ECN	DESCRIPTION	DRFT	DATE



NOTES1:

UL Standard

- 1.Rated Voltage/Current : 300V / 12A
- 2.Torque Value : M2.5 , 3.54Lb.in
- 3.Wire Range : 26~14AWG

IEC Standard

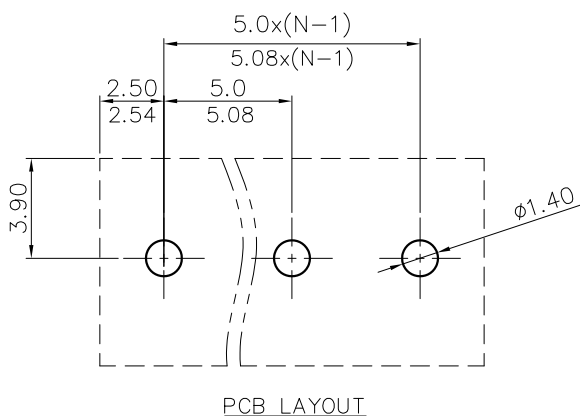
- 1.Rated Voltage/Current : 250V / 15A
- 2.Torque Value : M2.5 , 0.4N.m
- 3.Wire Range : 1.5mm²

NOTES2:

- 1.Dimension shall be interpreted per ASME Y14.5-2009
- 2.Pitch : 5.0/5.08mm, Poles : N=02~24P
- 3.Stripping length : 5mm
- 4.Withstanding Voltage : AC2000V/1Min.
- 5.Operating temperature : -40°C~+105°C
- 6.Undimensioned Tolerances:

Pitch range in mm		Nominal dimension range in mm					0.1/10
To	Over	To	Over	To	Over		
6	10	6	10	30	60	100	150
±0.15	±0.20	±0.30	±0.30	±0.50	±0.70	±1.00	±1.30
							±2'

7.RoHS Compliance



DG127 - 5.0/5.08 - XXP - 1Y - 00A (H)
 (Series No.) (Pitch) (Poles) (Single Pitch) (RoHS) 00A-(Standard)
 (Color):1.(Grey)2.(Blue)3.(Black)4.(Green)5.(Orange)6.(Red)7.(Transparent)8.(Yellow)9.(White)

DETACHED LISTS	PART NO.:	/			
	APPD:	/			
	CHKD:	/			
	DRFT:	/			
	NAME:	NINGBO DEGSON ELECTRICAL CO., LTD			
		DG127-5.0/5.08-XXP-1Y-00A(H)			
	TITLE:	CUSTOMER DRAWING	REV	D0	
	DRAWING NO.:	/	SHEET	1/1	
	THIRD ANGLE PROJECTION	MM (INCH)	DO NOT SCALE DRAWING	SCALE	1:1