



## PACK accent 3

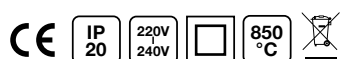
This miniaturized downlight range features the latest TOSHIBA PAR16 lamps and offers great flexibility for an attractive accent lighting in various application fields. Where in the past halogen lamps up to 50 W have been widely used, now this simple but highly efficient 5.4 W LED solution makes an appropriate alternative - convincing through brilliance, precise beam angles, excellent light quality and a very long lifetime of 40,000 h. The lighting head can be swiveled by 30°, allowing to target the light where it is needed, different beam angles and housing colours round off the portfolio.

### Application:

- + Attractive and precise accent lighting in various application fields
- + Very efficient replacement of 50 W halogen types
- + Optimized flexibility through small dimensions, adjustability and exchangeable light source

## Product details

- + Miniaturized downlight with Toshiba E-CORE PAR16 GU10 lamp
  - + Beam angles 25° and 40°
  - + Lighting head swivelling ± 30°
- + Very efficient, up to 65 lm/W
  - + Replacement of 1 x 50 W halogen lamps
  - + For 82 mm ceiling cut-outs
  - + Phase control dimming



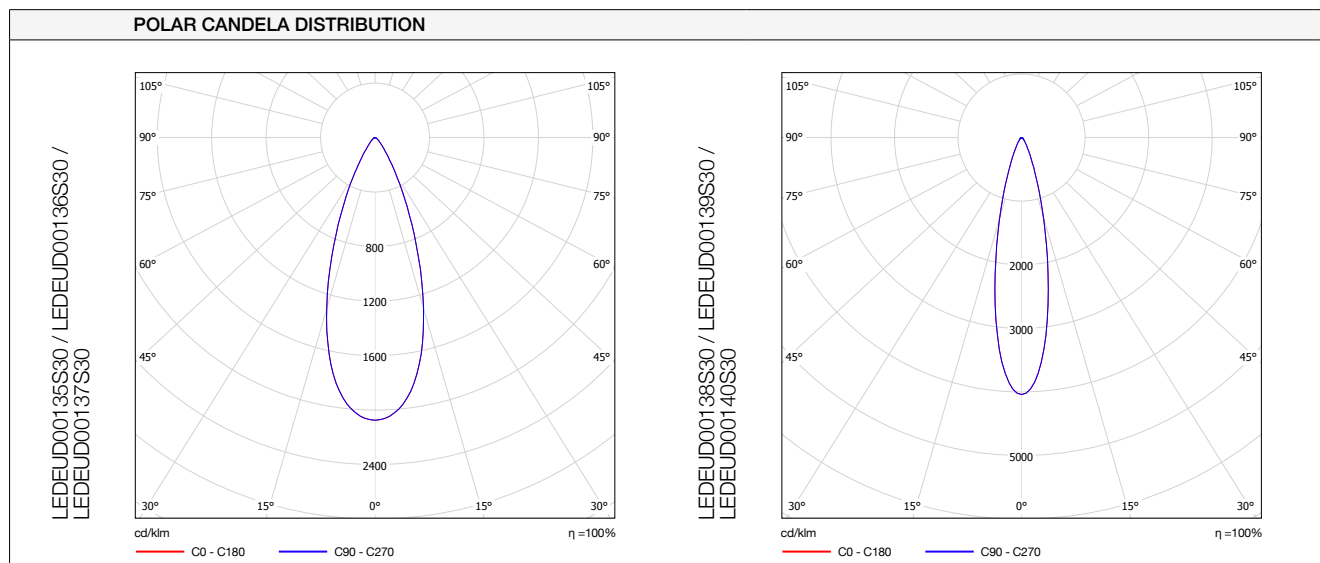
## Optical parameters

MODEL NAME	PACK accent 3		
Product code	LEDEUD00135S30	LEDEUD00136S30	LEDEUD00137S30
Finishing (trim colour)	White	Silver	Black
Beam angle	40°	40°	40°
Colour description	Warm white	Warm white	Warm white
Colour temperature	<b>3000 K</b>	<b>3000 K</b>	<b>3000 K</b>
Luminous flux (nominal)	355 lm	355 lm	355 lm
System efficacy	65 lm/W	65 lm/W	65 lm/W
Colour rendering index	Ra 80	Ra 80	Ra 80
Adjustable	Yes (±30°)	Yes (±30°)	Yes (±30°)

MODEL NAME	PACK accent 3		
Product code	LEDEUD00138S30	LEDEUD00139S30	LEDEUD00140S30
Finishing (trim colour)	White	Silver	Black
Beam angle	25°	25°	25°
Colour description	Warm white	Warm white	Warm white
Colour temperature	<b>3000 K</b>	<b>3000 K</b>	<b>3000 K</b>
Luminous flux (nominal)	355 lm	355 lm	355 lm
System efficacy	65 lm/W	65 lm/W	65 lm/W
Colour rendering index (Ra)	Ra 80	Ra 80	Ra 80
Adjustable	Yes (±30°)	Yes (±30°)	Yes (±30°)

Luminaires and LED lamps are also available separately for individual lamping (for more information please see logistic data).

## Optical parameters



## Electrical parameters

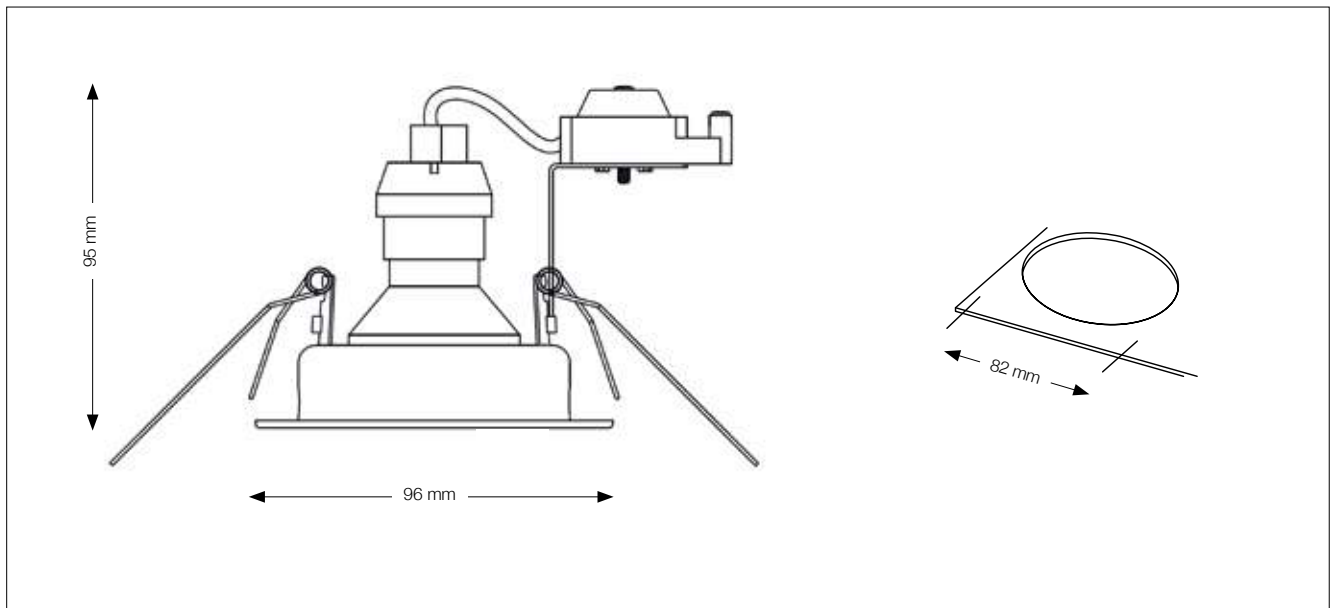
MODEL NAME	PACK accent 3
Rated wattage	5.4 W
System efficacy	65 lm/W
Rated voltage	220-240 V
Frequency	50/60 Hz
Power factor	0.64
Rated lifetime	40,000 h
Lumen maintenance	70 % at the rated lifetime
Connection	2 x (0.75 – 1.5) mm <sup>2</sup>
Cap	GU10
Dimmable*	Yes, phase control
Dimming level	10 – 100%

## Mechanical parameters

MODEL NAME	PACK accent 3
Material	Metal sheet
Colour	White / Silver / Black
Type of installation	Ceiling recessed
Swiveling angle (adjustable versions)	± 30°
Electrical class	II
IP rating	IP20
LED module	replaceable
Glow wire temperature	850 °C
Approval mark	CE
Operation temperature	5 °C - 35 °C
Dimension (D x H)	96 x 95 mm
Ceiling cut-out	82 mm
Recession depth	100 mm
Ceiling thickness	10 – 28 mm
Net weight	185 g

\* Dimmable on suitable dimmers

## Drawings



## Logistic data

PRODUCT CODE	EAN CODE	DESCRIPTION	SIZE OF PACKAGING (mm) L x H x W	GROSS WEIGHT (g)
LEDEUD00135S30	4974550467766	PACK accent 3 5.4W / 3000 K / 40° / WHITE	156 x 54 x 100	230
LEDEUD00136S30	4974550467773	PACK accent 3 5.4W / 3000 K / 40° / SILVER	156 x 54 x 100	230
LEDEUD00137S30	4974550467780	PACK accent 3 5.4W / 3000 K / 40° / BLACK	156 x 54 x 100	230
LEDEUD00138S30	4974550467797	PACK accent 3 5.4W / 3000 K / 25° / WHITE	156 x 54 x 100	230
LEDEUD00139S30	4974550467803	PACK accent 3 5.4W / 3000 K / 25° / SILVER	156 x 54 x 100	230
LEDEUD00140S30	4974550467810	PACK accent 3 5.4W / 3000 K / 25° / BLACK	156 x 54 x 100	230

## Fixtures w/o LED lamp

PRODUCT CODE	EAN CODE	DESCRIPTION	SIZE OF PACKAGING (mm) L x H x W	GROSS WEIGHT (g)
LEDEUD00132C	4974550467735	PACK accent 3 GU10 / WHITE	100 x 54 x 100	160
LEDEUD00133C	4974550467742	PACK accent 3 GU10 / SILVER	100 x 54 x 100	160
LEDEUD00134C	4974550467759	PACK accent 3 GU10 / BLACK	100 x 54 x 100	160

## Logistic data

### Suitable LED lamps

PRODUCT CODE	EAN CODE	DESCRIPTION	SIZE OF PACKAGING (mm) L x H x W	GROSS WEIGHT (g)
LDRC0527MU1EUD	4974550462945	E-CORE PAR16 GU10 5.4W / 2700K 25° / equiv. 50W	58 x 86 x 55	83
LDRC0527WU1EUD	4974550462952	E-CORE PAR16 GU10 5.4W / 2700K 40° / equiv. 50W	58 x 86 x 55	83
LDRC0530MU1EUD	4974550462969	E-CORE PAR16 GU10 5.4W / 3000K 25° / equiv. 50W	58 x 86 x 55	83
LDRC0530WU1EUD	4974550462976	E-CORE PAR16 GU10 5.4W / 3000K 40° / equiv. 50W	58 x 86 x 55	83
LDRC0540MU1EUD	4974550462983	E-CORE PAR16 GU10 5.4W / 4000K 25° / equiv. 50W	58 x 86 x 55	83
LDRC0540WU1EUD	4974550462990	E-CORE PAR16 GU10 5.4W / 4000K 40° / equiv. 50W	58 x 86 x 55	83
LDRC0427MU1EU2	4974550463003	E-CORE PAR16 GU10 3.5W / 2700K 25° / equiv. 35W	58 x 86 x 55	78
LDRC0427WU1EU2	4974550463010	E-CORE PAR16 GU10 3.5W / 2700K 40° / equiv. 35W	58 x 86 x 55	78
LDRC0430MU1EU2	4974550463027	E-CORE PAR16 GU10 3.5W / 3000K 25° / equiv. 35W	58 x 86 x 55	78
LDRC0430WU1EU2	4974550463034	E-CORE PAR16 GU10 3.5W / 3000K 40° / equiv. 35W	58 x 86 x 55	78
LDRC0440MU1EU2	4974550463041	E-CORE PAR16 GU10 3.5W / 4000K 25° / equiv. 35W	58 x 86 x 55	78
LDRC0440WU1EU2	4974550463058	E-CORE PAR16 GU10 3.5W / 4000K 40° / equiv. 35W	58 x 86 x 55	78

## Handling and safety information

- + Do not cover the lamp with paper, cloth or other easily flammable materials
- + Do not expose the lamp to water or high humidity
- + Avoid additional mechanical stress on the lamp
- + Do not touch the lamp during or shortly after usage. Risk of burn!
- + Use only with recommended dimmers
- + Ambient temperature range: +5 °C to +35 °C
- + Do not look directly into the lamp
- + Do not spray pesticide on this lamp
- + Please ensure the mains power is disconnected before undertaking any work on the luminaire or lamp

[www.toshiba.eu/lighting](http://www.toshiba.eu/lighting)