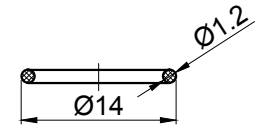
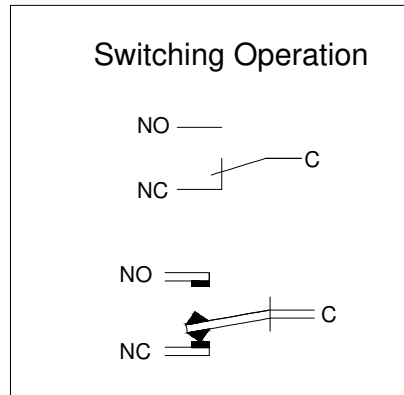


PANEL CUTOUT
MAX.PANEL THICKNESS
10 mm



Seal Ring



Part Number: LAS2GQF-□■/◎/☆

"□"	Contact structure
11	1NO1NC
22	2NO2NC

"■"	Operation mode
No Letter	Momentary
Z	Latching

"◎"	Crust material
S	Stainless steel
A	Al alloy (black)
N	Nickel Plated Brass

"☆"	IP Class
No Letter	IP40
P	IP65
FP	IP67

SPECIFICATIONS:

1. Switch Rating: AC250V/0.5A, DC110V/0.1A.
2. Mechanical Life: ≥1,000,000 cycles.
3. Electrical Life: ≥50,000 cycles.
4. Contact Resistance: ≤50mΩ.
5. Insulation Resistance: ≥1,000MΩ.
6. Dielectric Strength: 1,500V, RMS 50Hz, 1min.
7. Operating Temperature: -25°C ~ +55°C (No Freezing).
8. Operating Force: About 1.2~1.8N (1NO1NC), About 1.4~2N (2NO2NC).
9. Operating Travel: About 2.3mm.
10. Torque: About 0.6Nm max. applied to nut.
11. Protection degree: IP40/IP65/IP67; IK09.
12. Terminal Type: Pin Terminal (1.8 x 0.4mm).

MATERIALS:

1. Contact: Silver alloy.
2. Button: ◎.
3. Body: ◎.
4. Base: PA.

BRAND 品牌 ONPOW		红波按钮制造有限公司 ONPOW PUSH BUTTON MANUFACTURE CO.,LTD.	
THESE DRAWINGS AND SPECIFICATIONS ARE THE PROPERTY OF ONPOW PUSH BUTTON MANUFACTURE CO.,LTD. AND SHALL NOT BE REPRODUCED COPIED OR USED IN ANY MANNER WITHOUT THE PRIOR WRITTEN CONSENT OF ONPOW PUSH BUTTON MANUFACTURE CO.,LTD.		USED 用途	APPD 审核 CH 2020/04/23
FINISH 处理		SCALE 比例 1.4 / 1	UNIT 单位 mm
TITLE 名称 GQ Series Anti-vandal push button		DR. 制图 ZPD 2020/04/23	CHKD 校对 NCH 2020/04/23
DIMENSIONS	TOLERANCE	DWG NO. 图号 LAS2GQF	SIZE 图纸 A4
0.00 TO 18.00mm	±0.43mm	FILE NAME 档案名称 LAS2GQ不带灯.DWG	SHEET 张 1 / 1
18.01 TO 30.00mm	±0.52mm		REV. 更改 1
30.01 TO 50.00mm	±0.62mm		
50.01 TO 80.00mm	±0.74mm		