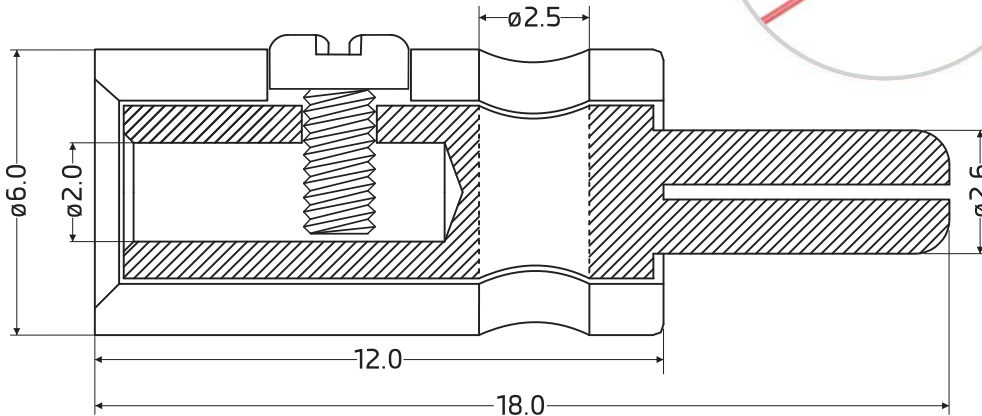


Best. Nr. 451 439

**Miniature Connector, 2.6mm
Male Plug, Black color
10pcs pack**



Wire cross section: 0.5-1.5 mm²

Specification

Insulator material: ABS
 Contact material: Copper
 Plating: Nickel
 Voltage rating: 30 V/DC
 Current rating: 2A
 Contact resistance: 5mΩ max.
 Insulation resistance: 100MΩ min.
 Operating temperature: -10°C to 85°C

