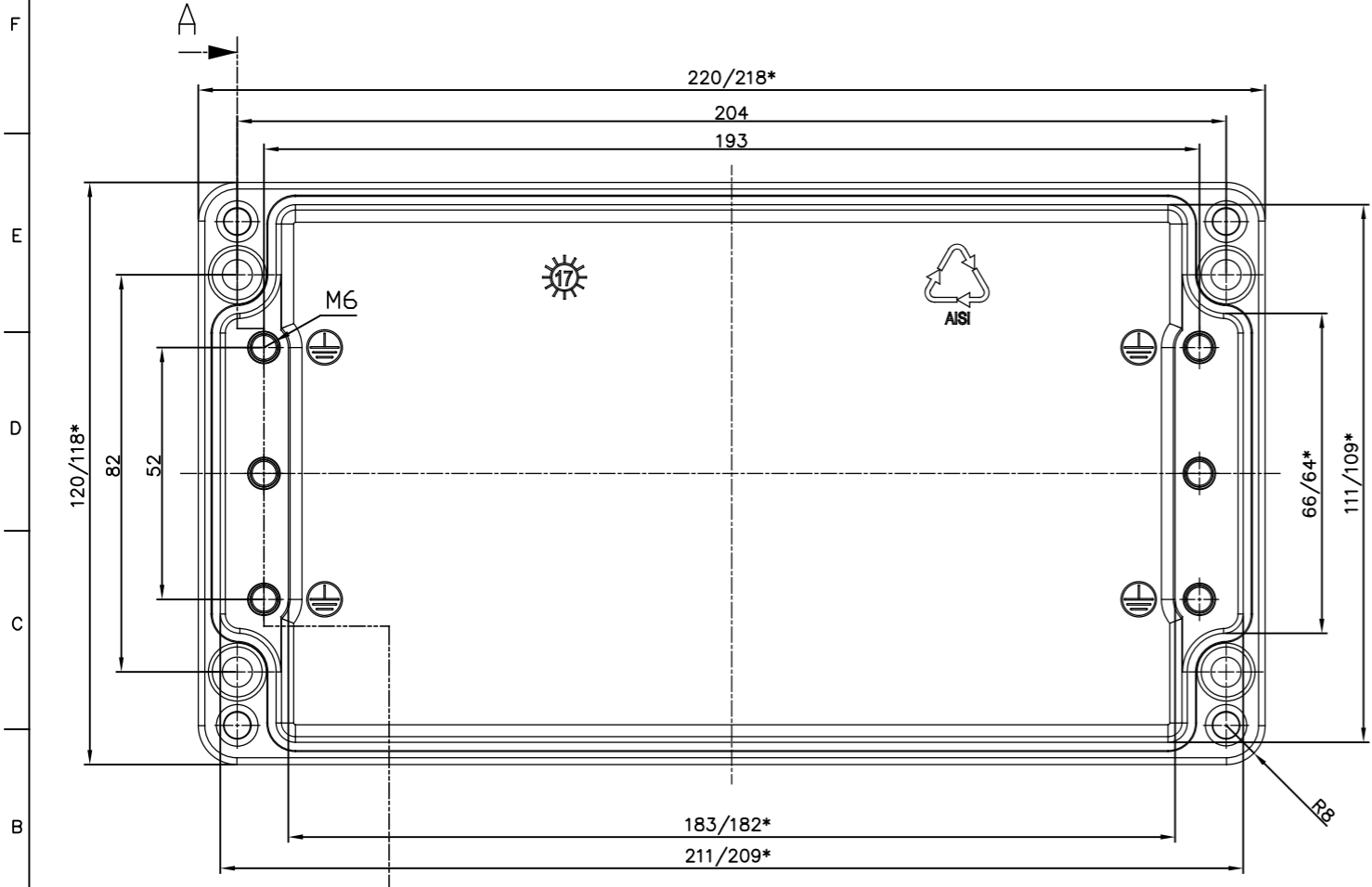
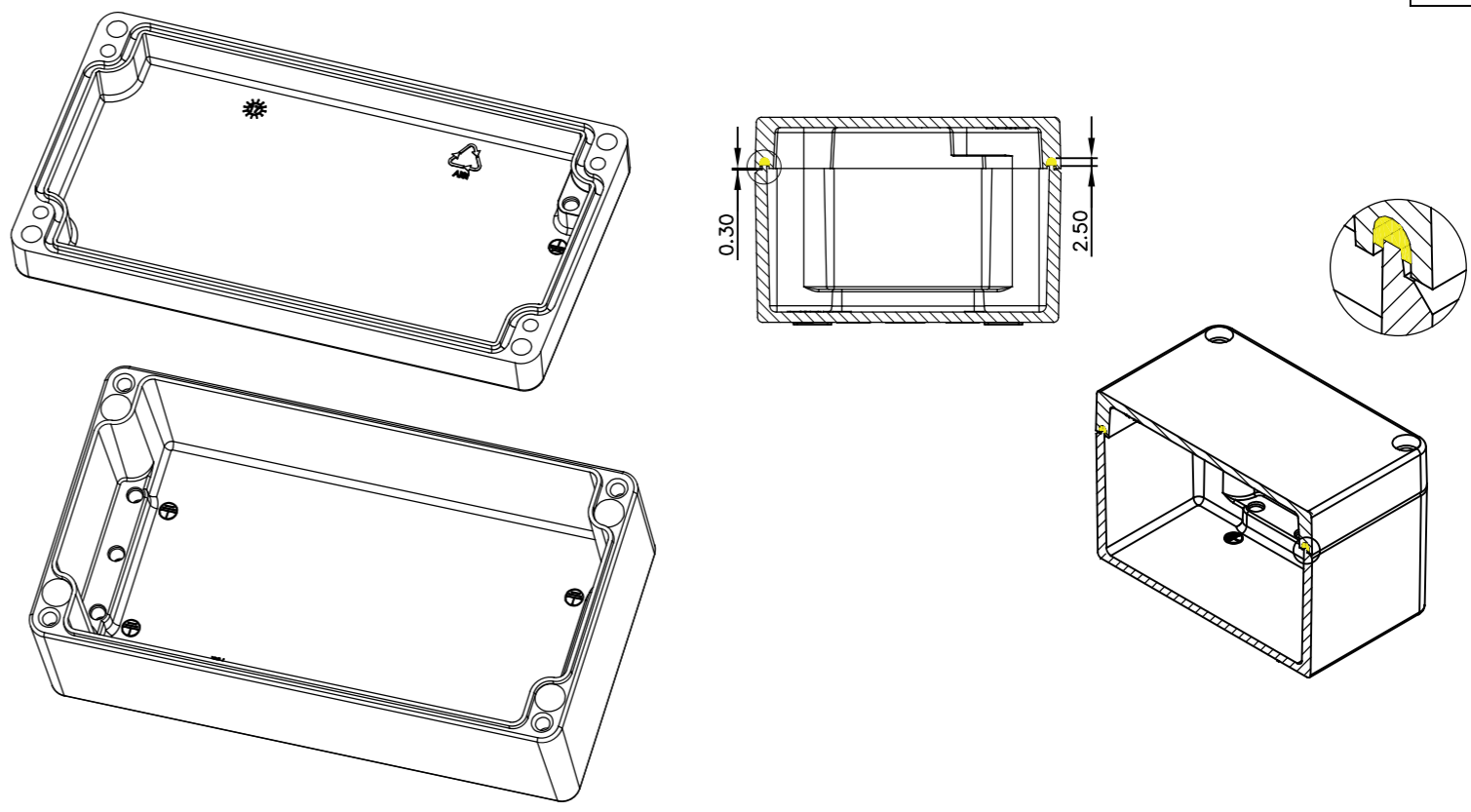
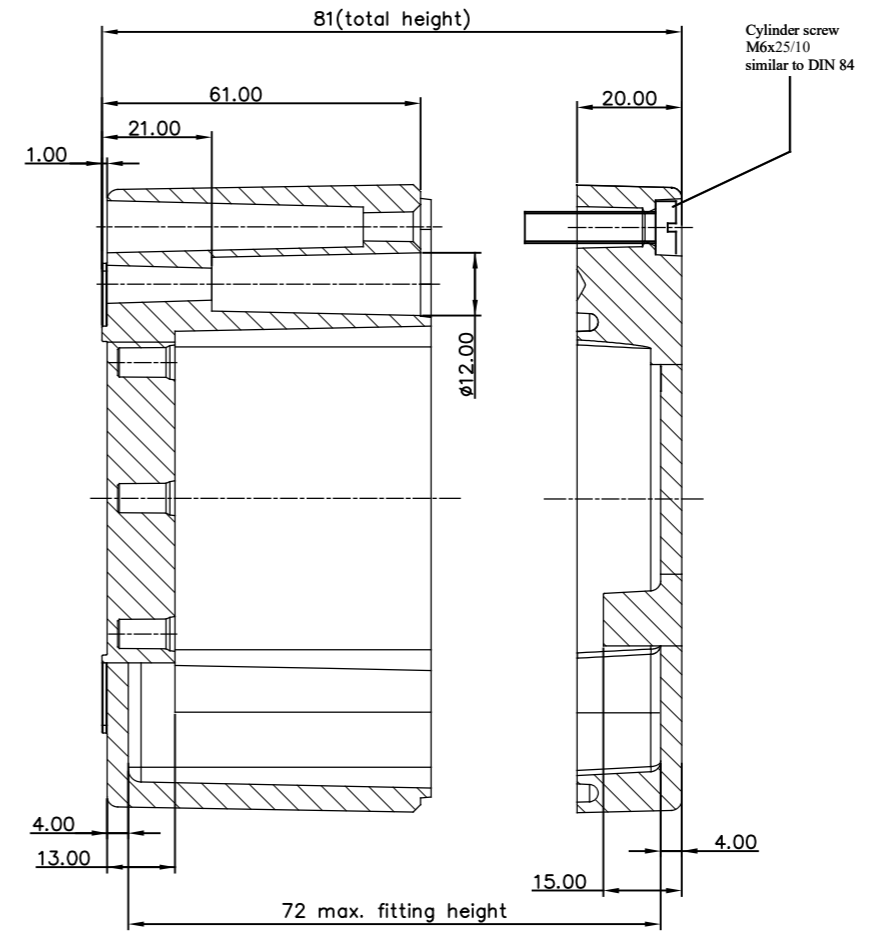


LID



BASE



* = Conical form tapering downwards
Free dimensions-tolerance to GTA 13/5 DIN 1688

ENCLOSURE/BOX MEETS THE REQUIREMENTS OF
IS/IEC 60529:2001
OR
EN 60529
FOR IP 68 SEVERITY

| | | | | | | | |
|-----------|-----------|----------------|------------|--------------------------------|------------|--|--|
| COMPANY | | | | DEMO CASTER'S PVT LTD., MUMBAI | | | |
| TOLERANCE | TOOL | LID 220X120X81 | | DRAWN BY | DATE | | |
| | | | | POOJA | 19-02-17 | | |
| SCALE | ROUGHNESS | SHEET SIZE | DC MACHINE | CHECKED BY | DATE | | |
| 1:1 | | | | SIDDHANT | 29-03-17 | | |
| | MATERIAL | SHRINKAGE | DRG.NO. | | VDC-000-00 | | |
| | ALUMINIUM | | SH.ND. | | 00 | | |