

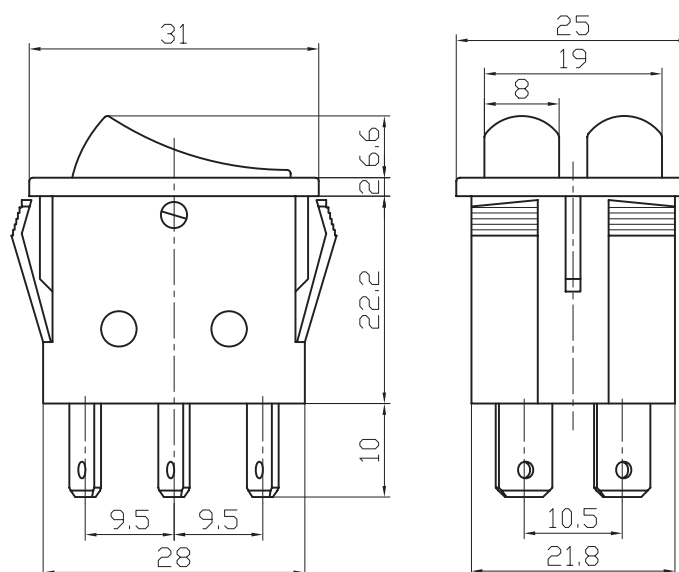
Double-poles Illuminated Rocker Switch

<TYPE>: IRS-2101-3C

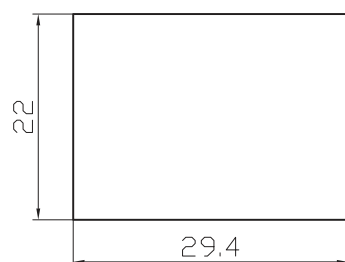
(Specification)

1. (Rating): 20A 125V AC; 15A 250V AC; 35A 12V DC
2. (Contact R): 35mΩ max
3. (Insulation R): 500V DC 100MΩ min
4. (Dielectric Strength): 1 Minute 1500V AC
5. (Operating Temperature): -25°C ~ +120°C
6. (Electrical Life): 10, 000 Cycles

(Outline Drawing)



(Mounting)



(Circuitry)

