



E-CORE AR111 50W E-CORE AR111 75W

The new AR111 pin-base lamps are in a class of their own in the low-voltage sector: pure luminosity for downlights, gimbal and track lights. Their potential for savings is also as eye catching as it is impressive.

Application:

- + Architectural lighting
- + Shop and retail lighting
- + Hospitality lighting



Product details

- + G53 base
- + Mercury free
- + Instant light
- + Low UV radiation
- + Low heat radiation
- + Very safe by operating at 12 V AC
- + Life time 40,000 hours
- + Reduction of energy consumption of up to 80 %
- + Good illumination thanks to precisely focussed light

Optical parameters

MODEL NAME	E-CORE AR111 50W EQUIV.		
Product code	LDREU001A27MA0	LDREU001A30MA0	LDREU001A40MA0
Luminous flux	600 lm	640 lm	690 lm
Colour description	Warm white	Warm white	Neutral white
Colour temperature	2700 K	3000 K	4000 K
Colour rendering index	80 Ra	80 Ra	80 Ra
Beam angle	24°	24°	24°
Luminous intensity	3,400 cd	3,600 cd	3,800 cd
Lamp efficacy	57.1 lm/W	61.0 lm/W	65.7 lm/W
Energy class	A	A	A
Weighted energy consumption	12 kWh / 1000 h	12 kWh / 1000 h	12 kWh / 1000 h

MODEL NAME	E-CORE AR111 50W EQUIV.		
Product code	LDREU001A27WA0	LDREU001A30WA0	LDREU001A40WA0
Luminous flux	600 lm	640 lm	690 lm
Colour description	Warm white	Warm white	Neutral white
Colour temperature	2700 K	3000 K	4000 K
Colour rendering index	80 Ra	80 Ra	80 Ra
Beam angle	40°	40°	40°
Luminous intensity	1,200 cd	1,300 cd	1,300 cd
Lamp efficacy	57.1 lm/W	61.0 lm/W	65.7 lm/W
Energy class	A	A	A
Weighted energy consumption	12 kWh / 1000 h	12 kWh / 1000 h	12 kWh / 1000 h

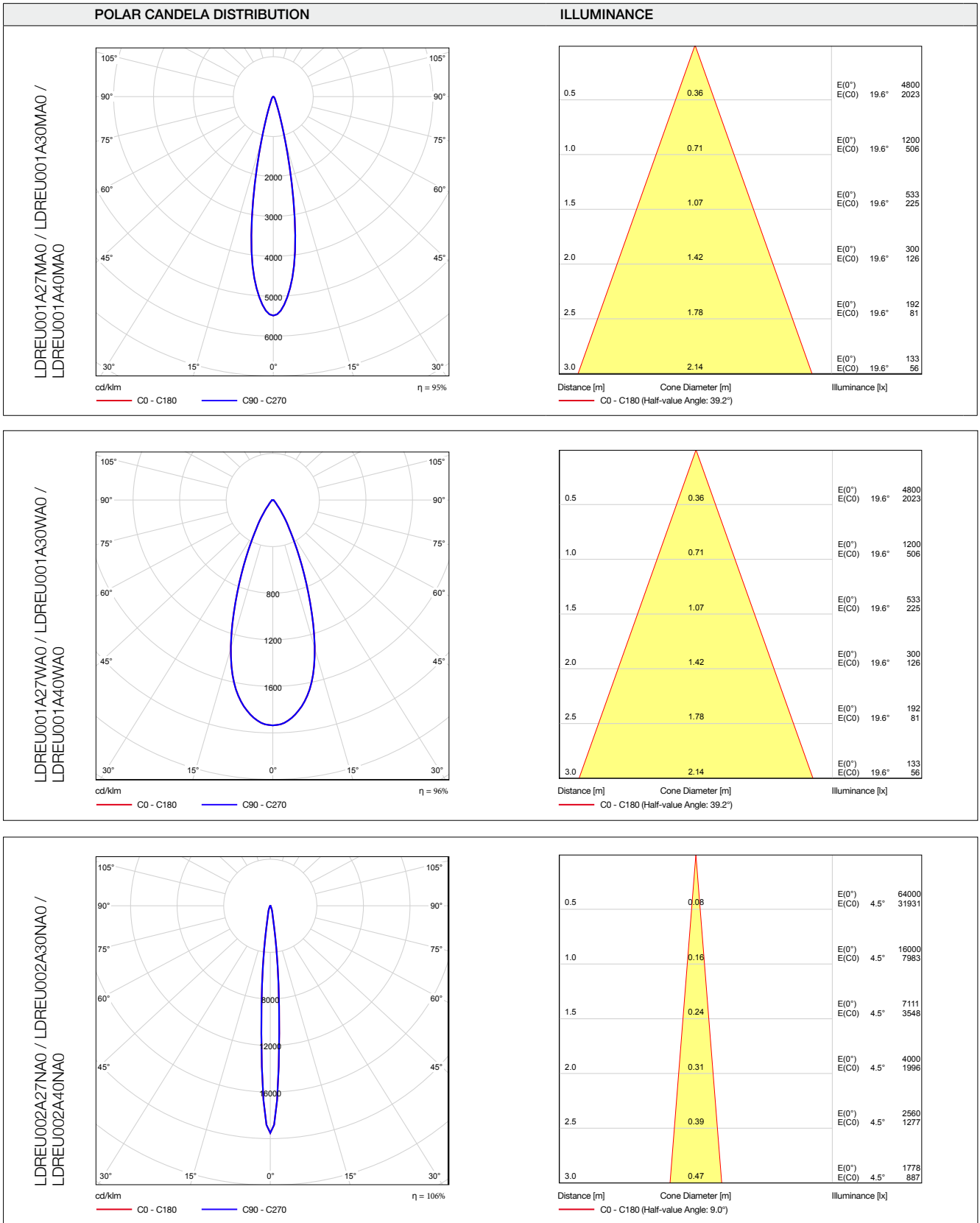
Optical parameters

MODEL NAME	E-CORE AR111 75W EQUIV.		
Product code	LDREU002A27NA0	LDREU002A30NA0	LDREU002A40NA0
Luminous flux	810 lm	860 lm	920 lm
Colour description	Warm white	Warm white	Neutral white
Colour temperature	2700 K	3000 K	4000 K
Colour rendering index	80 Ra	80 Ra	80 Ra
Beam angle	8°	8°	8°
Luminous intensity	16,000 cd	16,700 cd	17,900 cd
Lamp efficacy	55.9 lm/W	59.3 lm/W	63.4 lm/W
Energy class	A	A	A
Weighted energy consumption	16 kWh / 1000 h	16 kWh / 1000 h	16 kWh / 1000 h

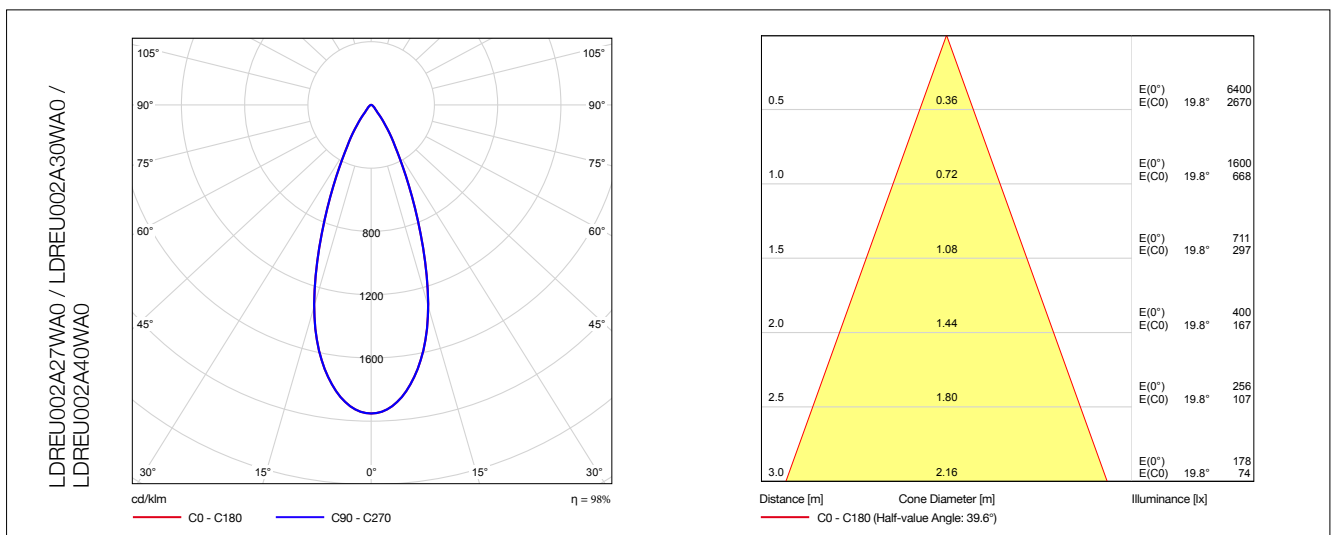
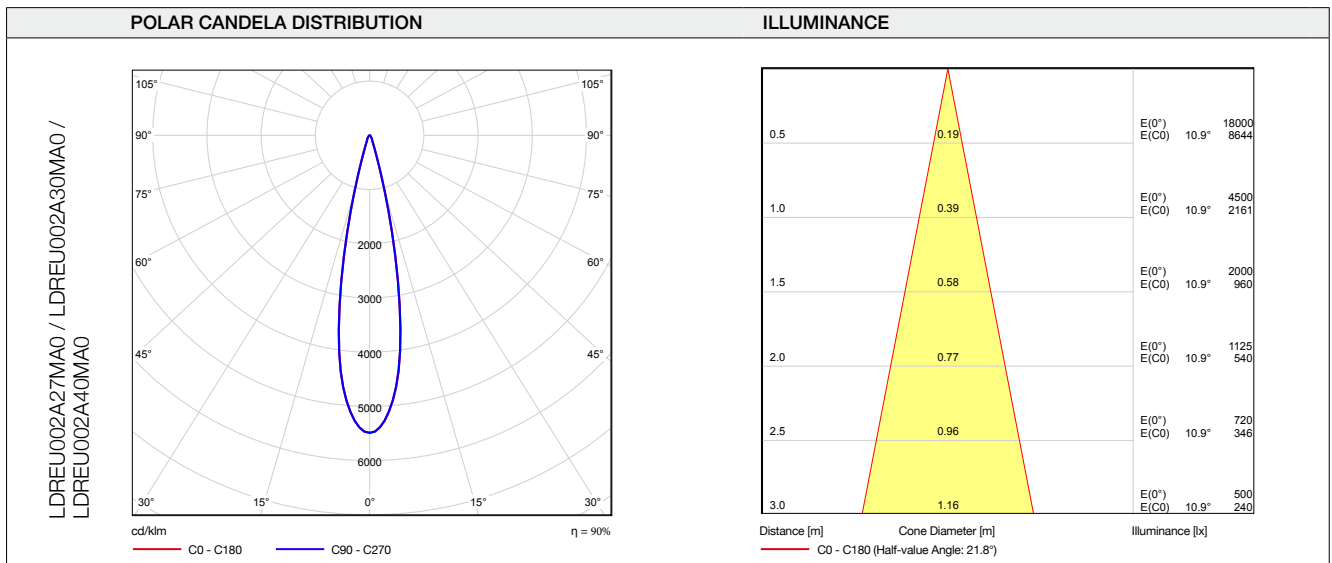
MODEL NAME	E-CORE AR111 75W EQUIV.		
Product code	LDREU002A27MA0	LDREU002A30MA0	LDREU002A40MA0
Luminous flux	810 lm	860 lm	920 lm
Colour description	Warm white	Warm white	Neutral white
Colour temperature	2700 K	3000 K	4000 K
Colour rendering index	80 Ra	80 Ra	80 Ra
Beam angle	24°	24°	24°
Luminous intensity	4,500 cd	4,700 cd	5,000 cd
Lamp efficacy	55.9 lm/W	59.3 lm/W	63.4 lm/W
Energy class	A	A	A
Weighted energy consumption	16 kWh / 1000 h	16 kWh / 1000 h	16 kWh / 1000 h

MODEL NAME	E-CORE AR111 75W EQUIV.		
Product code	LDREU002A27WA0	LDREU002A30WA0	LDREU002A40WA0
Luminous flux	810 lm	860 lm	920 lm
Colour description	Warm white	Warm white	Neutral white
Colour temperature	2700 K	2700 K	4000 K
Colour rendering index	80 Ra	80 Ra	80 Ra
Beam angle	40°	40°	40°
Luminous intensity	1,600 cd	1,700 cd	1,800 cd
Lamp efficacy	55.9 lm/W	59.3 lm/W	63.4 lm/W
Energy class	A	A	A
Weighted energy consumption	16 kWh / 1000 h	16 kWh / 1000 h	16 kWh / 1000 h

Optical parameters



Optical parameters



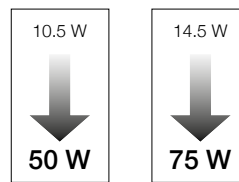
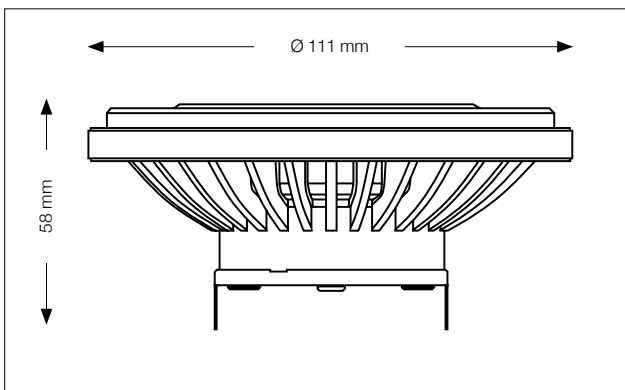
Electrical parameters

MODEL NAME	E-CORE AR111 50W	E-CORE AR111 75W
Rated voltage	12 V	12 V
Rated wattage	10.5 W	14.5 W
Frequency	50 / 60 Hz	50 / 60 Hz
Rated input current	1,1 A	1,75 A
Power factor	0.79	0.69
Operating temperature	+ 5 °C / + 40 °C	+ 5 °C / + 40 °C
Switching cycles	>15,000	>15,000
Rated lifetime	40,000 h	40,000 h
Lumen maintenance	70% at the rated lamp lifetime	70% at the rated lamp lifetime
Dimming	No	No

Mechanical parameters

MODEL NAME	E-CORE AR111 50W	E-CORE AR111 75W
Overall length	58 mm	58 mm
Diameter	111 mm	111 mm
Net weight	250 g	260 g
Cap	G53	G53

Drawings



According to
ErP 1194/2012

12V AC Drivers

For driving the E-CORE lamps a 12 V AC driver is necessary. Not every market offered driver is compatible with these lamps. A list of recommended drivers and conditions of use can be found on our website www.toshiba.eu/lighting.

RECOMMENDED DRIVERS FOR USE WITH MAX. 5 LAMPS:		
ABI SET60T-EL 10-60W	ABI SET150-2 5-150W	Aurora AU-LED16T
Aurora AU E60	DELUCE DLT70 10-70W	DELUCE DLT60 10-160W
HEP Group TL210S 50-210W	Philips Primaline 105 30-105W	Enlight-SC60
EREA LASSO 150K 35-150W	FN LIGHT TL210S 50-210W	FN LIGHT TL150S 50-210W
VS TopLine EST 105/12.644 20-105W		

Logistic data

PRODUCT CODE	DESCRIPTION	EAN/ITF CODE	PACKAGING TYPE	SIZE OF PACKAGING (LxHxW)	GROSS WEIGHT
LDREU001A27MA0	E-CORE AR111 50W 2700 K / 24°	4974550474030	Gift box (1 pce)	122 x 69 x 123 mm	295 g
		24974550474034	Carton (10 pcs) /MOQ*	352 x 250 x 133 mm	3,175 g
		14974550474037	Carton (20 pcs)	363 x 261 x 285 mm	6,795 g
LDREU001A27WA0	E-CORE AR111 50W 2700 K / 40°	4974550474047	Gift box (1 pce)	122 x 69 x 123 mm	295 g
		24974550474041	Carton (10 pcs) /MOQ*	352 x 250 x 133 mm	3,175 g
		14974550474044	Carton (20 pcs)	363 x 261 x 285 mm	6,795 g
LDREU001A30MA0	E-CORE AR111 50W 3000 K / 24°	4974550474054	Gift box (1 pce)	122 x 69 x 123 mm	295 g
		24974550474058	Carton (10 pcs) /MOQ*	352 x 250 x 133 mm	3,175 g
		14974550474051	Carton (20 pcs)	363 x 261 x 285 mm	6,795 g
LDREU001A30WA0	E-CORE AR111 50W 3000 K / 40°	4974550474061	Gift box (1 pce)	122 x 69 x 123 mm	295 g
		24974550474065	Carton (10 pcs) /MOQ*	352 x 250 x 133 mm	3,175 g
		14974550474068	Carton (20 pcs)	363 x 261 x 285 mm	6,795 g
LDREU001A40MA0	E-CORE AR111 50W 4000 K / 24°	4974550474078	Gift box (1 pce)	122 x 69 x 123 mm	295 g
		24974550474072	Carton (10 pcs) /MOQ*	352 x 250 x 133 mm	3,175 g
		14974550474075	Carton (20 pcs)	363 x 261 x 285 mm	6,795 g
LDREU001A40WA0	E-CORE AR111 50W 4000 K / 40°	4974550474085	Gift box (1 pce)	122 x 69 x 123 mm	295 g
		24974550474089	Carton (10 pcs) /MOQ*	352 x 250 x 133 mm	3,175 g
		14974550474082	Carton (20 pcs)	363 x 261 x 285 mm	6,795 g
LDREU002A27NA0	E-CORE AR111 75W 2700 K / 8°	4974550474092	Gift box (1 pce)	122 x 69 x 123 mm	305 g
		24974550474096	Carton (10 pcs) /MOQ*	352 x 250 x 133 mm	3,279 g
		14974550474099	Carton (20 pcs)	363 x 261 x 285 mm	7,003 g
LDREU002A27MA0	E-CORE AR111 75W 2700 K / 24°	4974550474108	Gift box (1 pce)	122 x 69 x 123 mm	305 g
		24974550474102	Carton (10 pcs) /MOQ*	352 x 250 x 133 mm	3,279 g
		14974550474105	Carton (20 pcs)	363 x 261 x 285 mm	7,003 g
LDREU002A27WA0	E-CORE AR111 75W 2700 K / 40°	4974550474115	Gift box (1 pce)	122 x 69 x 123 mm	305 g
		24974550474119	Carton (10 pcs) /MOQ*	352 x 250 x 133 mm	3,279 g
		14974550474112	Carton (20 pcs)	363 x 261 x 285 mm	7,003 g
LDREU002A30NA0	E-CORE AR111 75W 3000 K / 8°	4974550474146	Gift box (1 pce)	122 x 69 x 123 mm	305 g
		24974550474140	Carton (10 pcs) /MOQ*	352 x 250 x 133 mm	3,279 g
		14974550474143	Carton (20 pcs)	363 x 261 x 285 mm	7,003 g
LDREU002A30MA0	E-CORE AR111 75W 3000 K / 24°	4974550474122	Gift box (1 pce)	122 x 69 x 123 mm	305 g
		24974550474126	Carton (10 pcs) /MOQ*	352 x 250 x 133 mm	3,279 g
		14974550474129	Carton (20 pcs)	363 x 261 x 285 mm	7,003 g
LDREU002A30WA0	E-CORE AR111 75W 3000 K / 40°	4974550474139	Gift box (1 pce)	122 x 69 x 123 mm	305 g
		24974550474133	Carton (10 pcs) /MOQ*	352 x 250 x 133 mm	3,279 g
		14974550474136	Carton (20 pcs)	363 x 261 x 285 mm	7,003 g
LDREU002A40NA0	E-CORE AR111 75W 4000 K / 8°	4974550474153	Gift box (1 pce)	122 x 69 x 123 mm	305 g
		24974550474157	Carton (10 pcs) /MOQ*	352 x 250 x 133 mm	3,279 g
		14974550474150	Carton (20 pcs)	363 x 261 x 285 mm	7,003 g
LDREU002A40MA0	E-CORE AR111 75W 4000 K / 24°	4974550474160	Gift box (1 pce)	122 x 69 x 123 mm	305 g
		24974550474164	Carton (10 pcs) /MOQ*	352 x 250 x 133 mm	3,279 g
		14974550474167	Carton (20 pcs)	363 x 261 x 285 mm	7,003 g
LDREU002A40WA0	E-CORE AR111 75W 4000 K / 40°	4974550474177	Gift box (1 pce)	122 x 69 x 123 mm	305 g
		24974550474171	Carton (10 pcs) /MOQ*	352 x 250 x 133 mm	3,279 g
		14974550474174	Carton (20 pcs)	363 x 261 x 285 mm	7,003 g

* MOQ = minimum order quantity

Handling and safety information

- + Do not cover the lamp with paper, cloth or other easily flammable materials
- + Do not expose the lamp to water or high humidity
- + Avoid additional mechanical stress on the lamp
- + Do not touch the lamp during or shortly after usage. Risk of burn!
- + Use only with recommended drivers
- + Ambient temperature range: +5 °C to +40 °C
- + Do not look directly into the lamp
- + Do not spray pesticide on this lamp
- + Please ensure the mains power is disconnected before undertaking any work on the luminaire or lamp

www.toshiba.eu/lighting