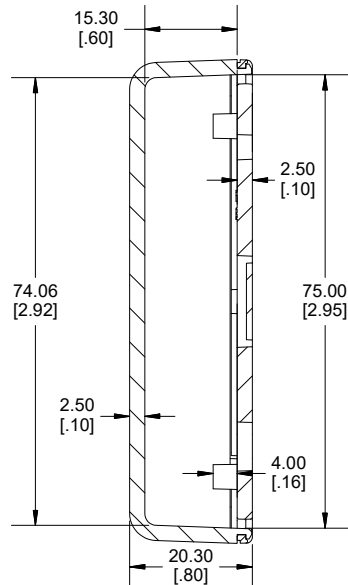
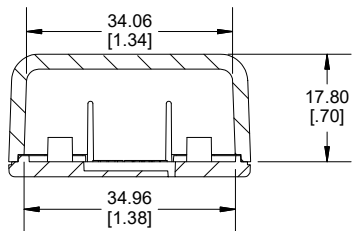


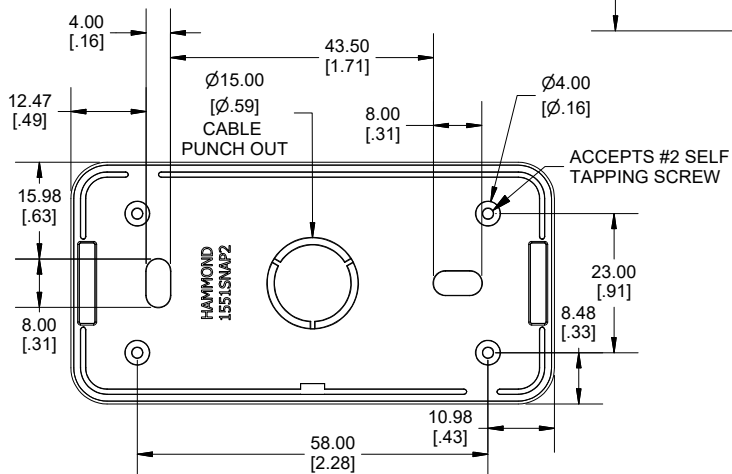
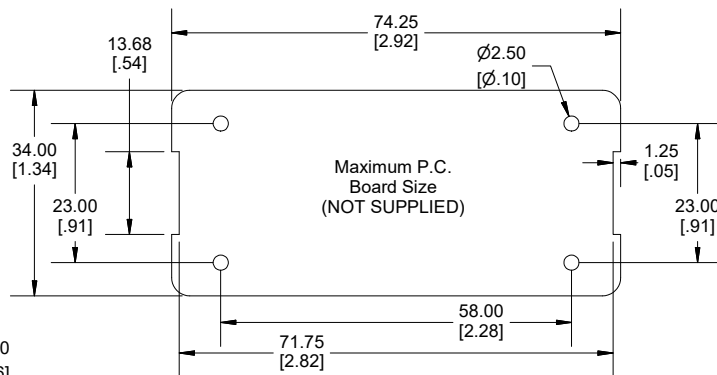
TOP VIEW



SECTION A-A  
SIDE VIEW



SECTION B-B  
END VIEW



INSIDE BASE



Enclosures can be Factory Modified (Milling, Drilling, Printing etc.)  
 Contact Factory ([modshop@hammfg.com](mailto:modshop@hammfg.com)) for quotes  
 Solid models of this enclosure available in .stp or .x\_t  
 (Part number and text placement/orientation on our products are subject to change,  
 we do not recommend using them as a locating reference for modification purposes)

**NOTE**

Purchased assembly includes snap together base and cover. Enclosure molded from general purpose ABS Plastic. Other materials / colours available consult factory.

**Recommended Torque : (21-28) Ozf.in / (15-20) cN.m**

**PART NUMBERS**

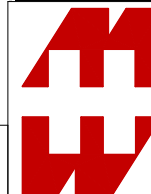
1551SNAP2 Enclosure

Black Enclosure - UL94 - HB	1551SNAP2BK
Gray Enclosure - UL94 - HB	1551SNAP2GY
White Enclosure - UL94 - HB	1551SNAP2WH

**ACCESSORIES**

P.C. Board Plastite Self Tapping Screw [#2 x 3/16" self-tapping (4.8mm)]	1553WTS100 (Pkg 100)
---	----------------------

Dimensions:  
mm  
[inches]



**HAMMOND  
MANUFACTURING.**

**1551SNAP2**

[www.hammondmfg.com](http://www.hammondmfg.com)