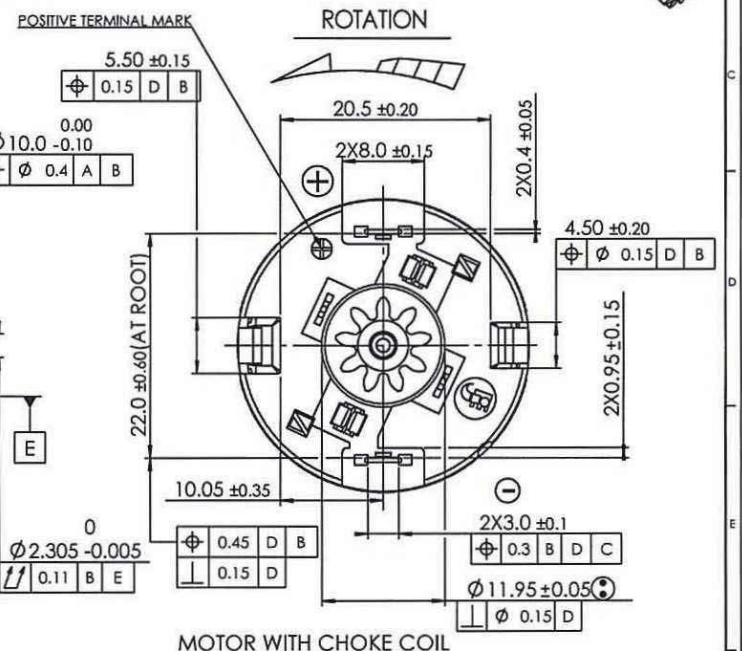
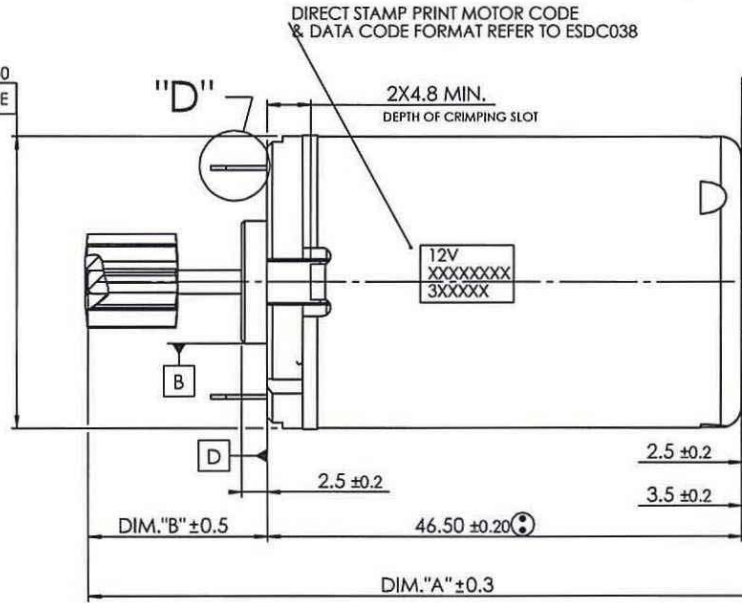
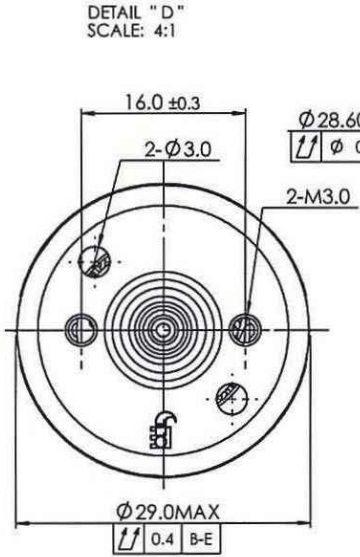
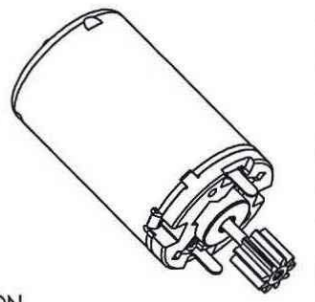
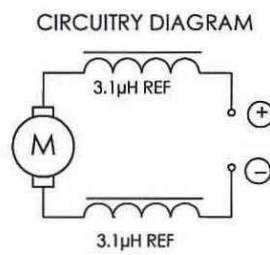
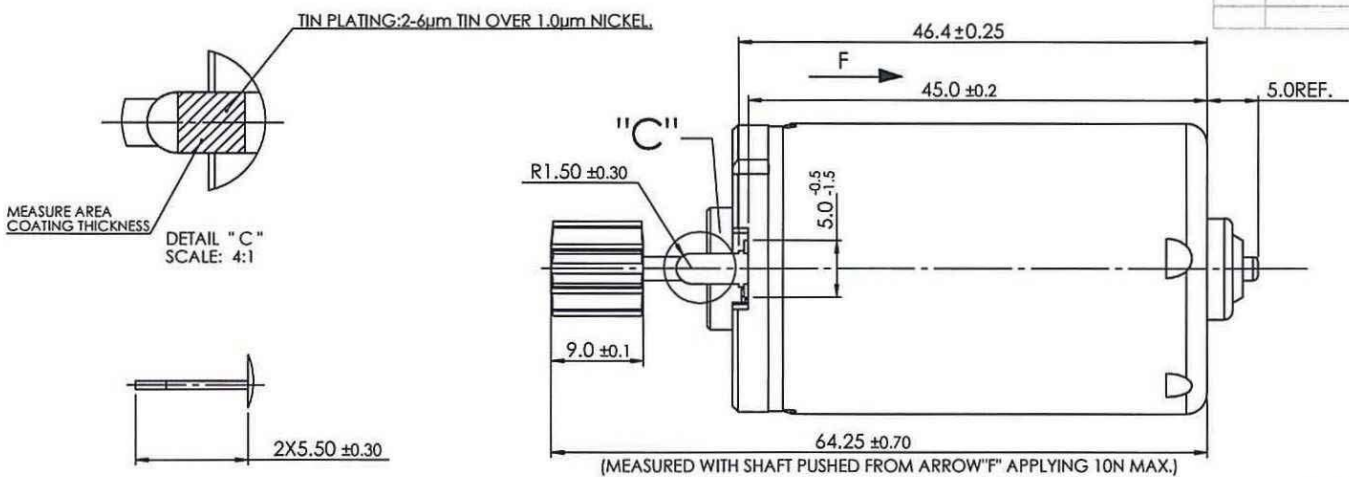


ALT.	REF.	DESCRIPTION	DATE	BY
A	SRF#27027	Initial release	2010/01/27	YF JIANG



- NOTES:
1. LENGTH OF SHAFT DIM."A" 69.0 mm.
 2. SHAFT REAR EXTENSION DIM."B" 17.5 mm, MEASURED WITH SHAFT PUSHED AGAINST REAR HOUSING.
 3. DIRECTION OF ROTATION: ANTI-CLOCKWISE WHEN VIEWING MOTOR OUTPUT END WITH POSITIVE VOLTAGE APPLIED TO POSITIVE TERMINAL.
 4. SHAFT AXIAL PLAY: 0.10 TO 0.40 mm.
 5. MAX. MALE SCREW LENGTH ENGAGED INTO HSG. TO BE 3.0mm.
 6. PINION PULL OFF FORCE TO BE GREATER THAN 90 kgf.
 7. PINION TO WITH STAND A TWISTING TORQUE OF 0.8 Nm.

DWN. BY	YINFELJIANG	CHK. BY		APP. BY	
Date (yyyymmdd)	2010/01/27	Date (yyyymmdd)		Date (yyyymmdd)	

Cpk	Characteristics	Key Product	Customer Significant
> 1.47	⊙	⊙	⊙
> 1.33	⊙	⊙	⊙
> 1.00	⊙	⊙	⊙
Not Required	⊙	⊙	⊙

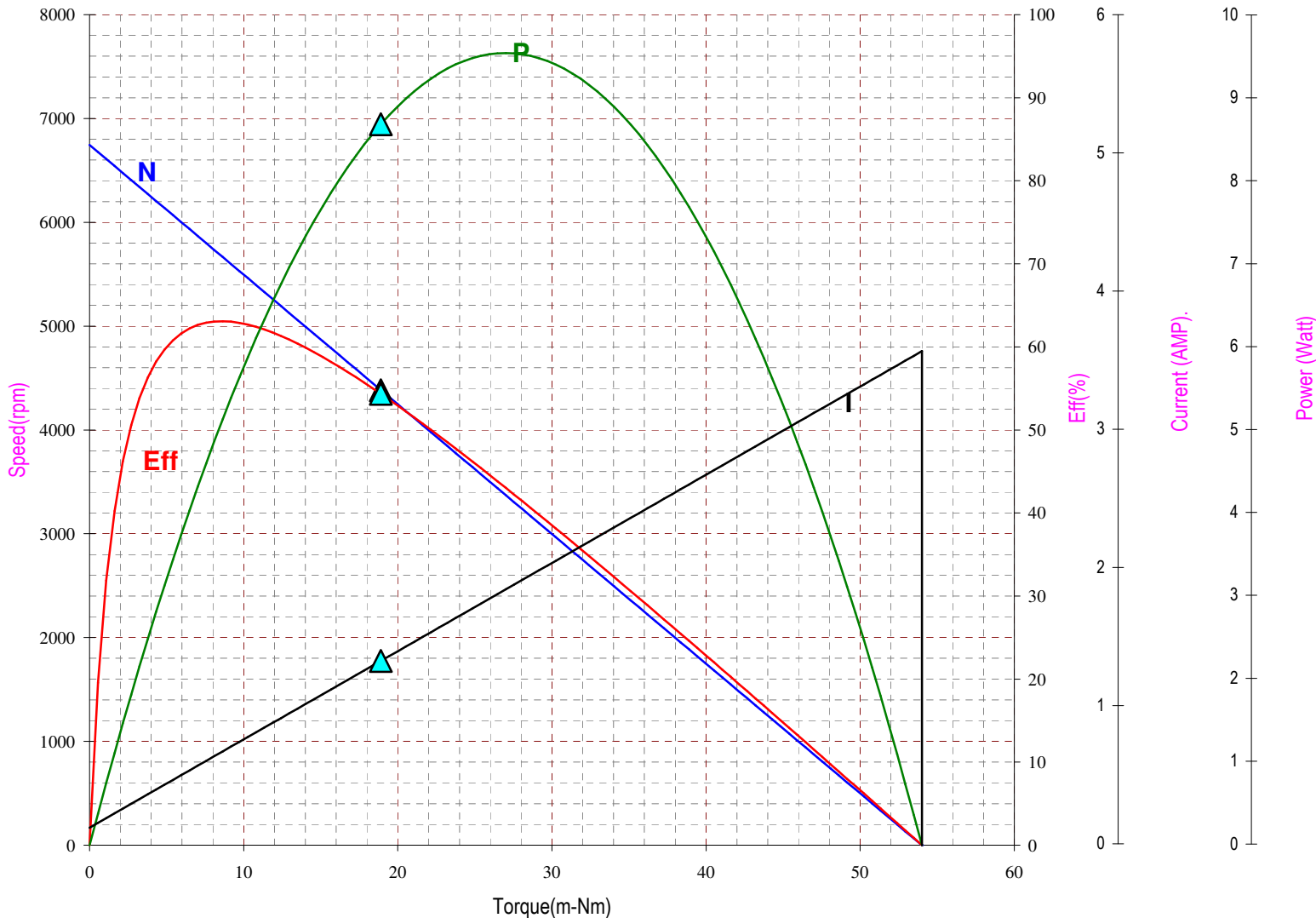
FINISH:		MATERIAL:	
General Tolerance: ISO 2768-1 Class m (Unless specified)			
JOHNSON ELECTRIC		JOHNSON ELECTRIC GROUP OF COMPANIES ("JOHNSON ELECTRIC")	
TITLE: MOTOR OUTLINE			
DWG No. 1999-1030695		SCALE: 2:1	
SHEET 1 OF 1			

This document is the Property of Johnson Electric and the information therein contained is confidential. Unauthorised reproduction or other use thereof, whether directly or indirectly, in whole or in part, is strictly prohibited. All products made or otherwise derived directly or indirectly from this document are proprietary to Johnson Electric. © Copyright Johnson Electric S. A. 2007. All rights reserved.

Excellence in *Micromotors* Since 1959

Date : 2010/01/27

Project No.: 09DB002
Winding : 0.21 - 71.0



FORM : PIB-930701-1

Simulation at 25 C
Motor tested rapidly to prevent significant temperature rise.

At a constant voltage of **12.00** Volts
With a circuit resistance **0.000** Ohms

At No Load
Speed : 6745 Rpm
Current: 0.127 Amp

At stall (Extrapolated)
Torque : 54.015 m-Nm
Current: 3.570 Amp

At maximum efficiency
Efficiency : 63.09 %
Torque : 8.562 m-Nm
Speed : 5675 Rpm
Current : 0.672 Amp
Output : 5.091 Watts

At maximum power
Torque : 27.008 m-Nm
Speed : 3371 Rpm
Current : 1.848 Amp
Output : 9.538 Watts

Characteristics
Torque Constant : 15.688 m-Nm/Amp
E.M.F Constant : 15.688 mV/rad/sec
Dy. Resistance : 3.362 Ohms
Motor Regulation: 124.918 Rpm/m-Nm

At Torque Level: At Fan: H81

Torque:	20.000 m-Nm	Torque:	18.190
Speed:	4246 Rpm	Speed:	4472
Current:	1.401 Amp	Current:	1.286
Efficiency:	52.92 %	Efficiency:	55.23
Output:	8.897 Watts	Output:	8.523

COMPUTER PRINT-OUT NOMINAL MOTOR CURVES.
Performance and characteristics are measured based on limited motor samples only.

Ref: 117501

Issued by CATD Simulation