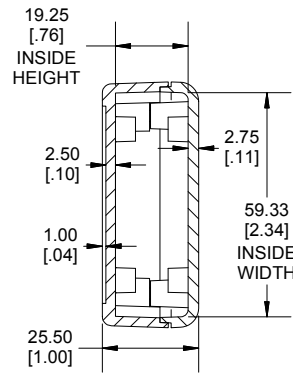
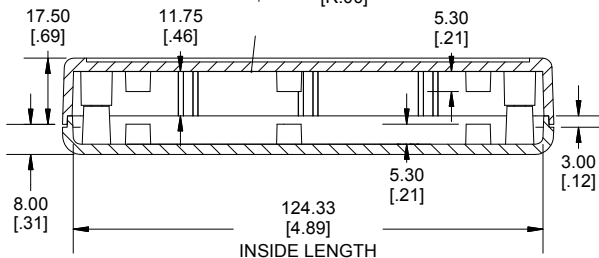
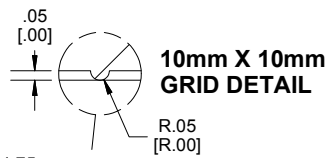
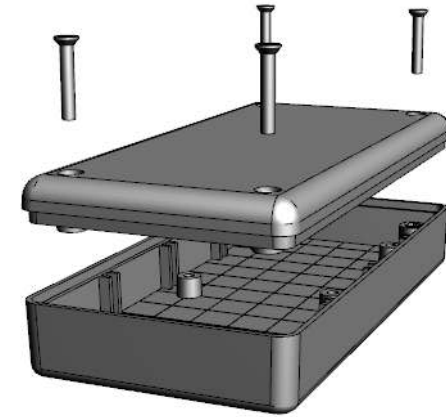


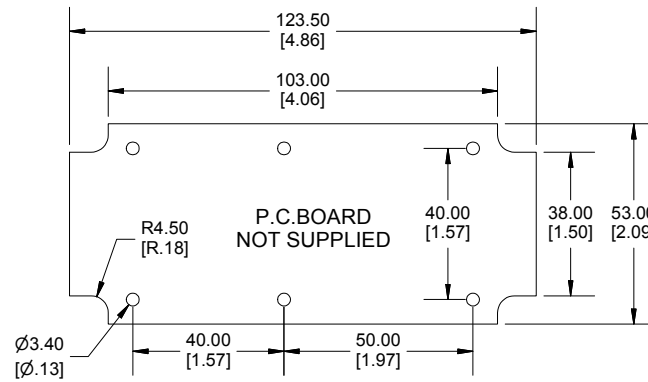
TOP VIEW



END VIEW SECTION A-A

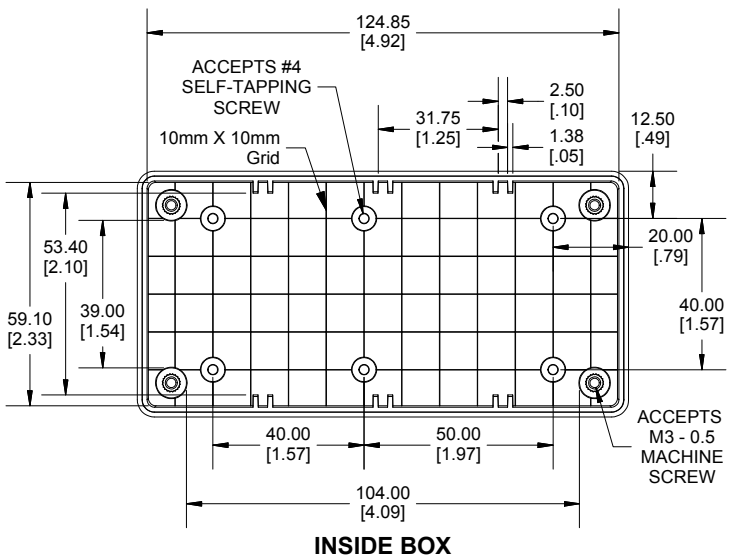


SIDE VIEW SECTION B-B

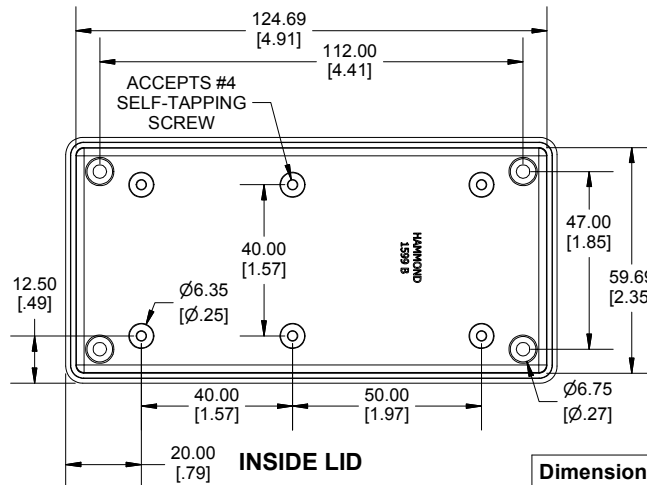


MAXIMUM P.C. BOARD

Enclosures can be Factory Modified ( Milling, Drilling, Printing etc.)  
 Contact Factory [mjm@hammondmfg.com](mailto:mjm@hammondmfg.com) for quotes  
 Solid models of this enclosure available in STEP or IGES.  
 (Part number and text placement/orientation on our products are subject to change,  
 we do not recommend using them as a locating reference for modification purposes)



INSIDE BOX



INSIDE LID

Dimensions:  
 mm  
 [inches]

**NOTE**

Purchased assembly includes box, lid and 4 cover screws. Box and Lid are made from Flame retardant ABS with a UL flammability rating of 94 V-0

**Recommended Torque: 42-57 ozf.in (30-40 cN.m)**

**PART NUMBERS**

**1599B Fire Retardant ABS**

Black FR-ABS	1599BBK
Grey FR-ABS	1599BGY

**ACCESSORIES**

Cover Screws (Pkg 100)	1594MS100 (Grey)
[M3 - 0.5 x 18mm Machine Screws]	1594MS100BK (Black)
P.C Board Screws (Pkg of 50 or 100)	1593ATS50
[#4 x 1/4" Pan Head Self Tapping Screws]	1593ATS100
Nylon Belt Clip	1599CLIP (Black)
	1599CLIPGY (Grey)
ABS Divider Panel Grey	1599BD

**HAMMOND MANUFACTURING**  
**1599B**  
[www.hammondmfg.com](http://www.hammondmfg.com)