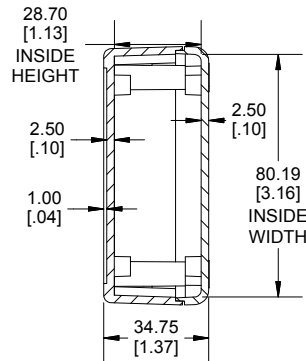
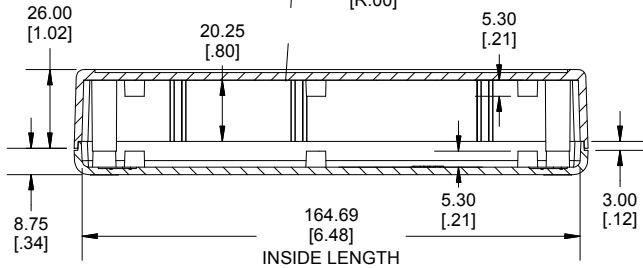
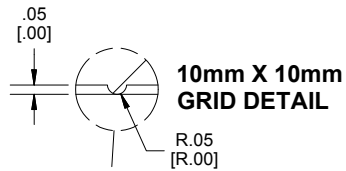


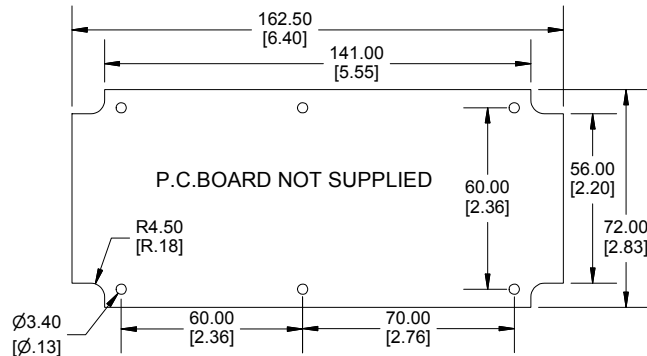
**TOP VIEW**



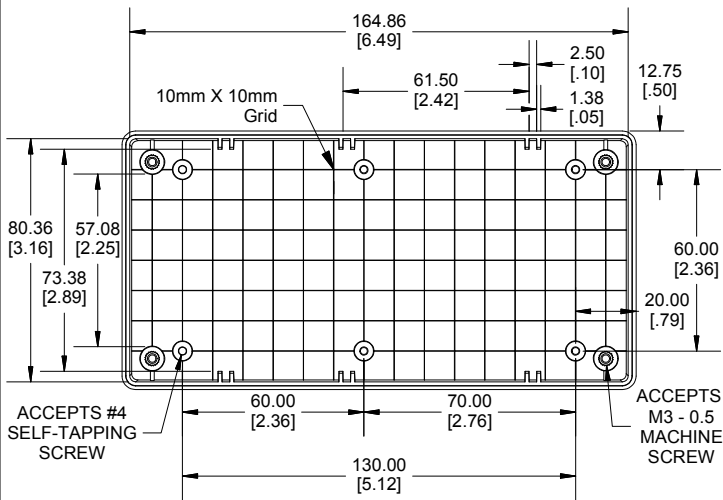
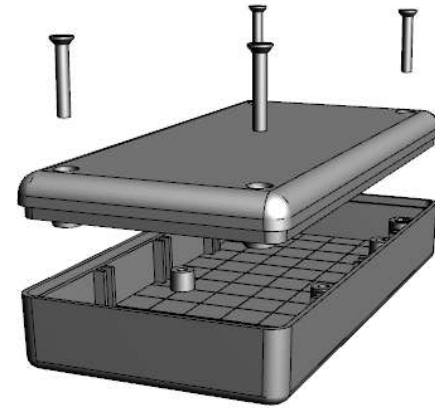
**END VIEW SECTION A-A**



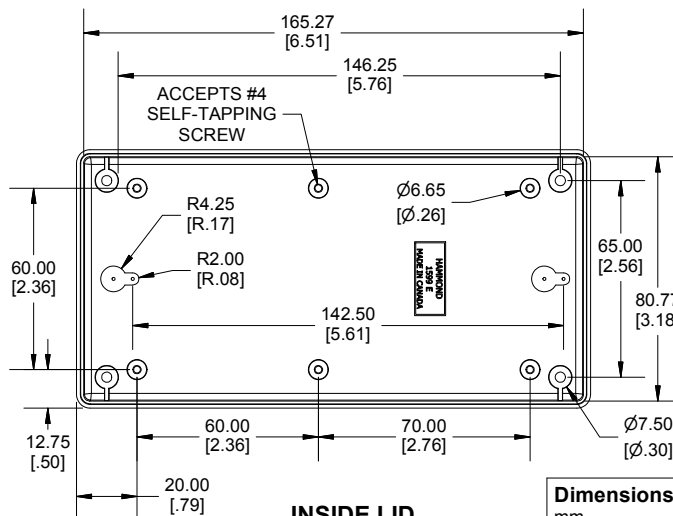
**SIDE VIEW SECTION B-B**



**MAXIMUM P.C. BOARD**



**INSIDE BOX**



**INSIDE LID**

Enclosures can be Factory Modified ( Milling, Drilling, Printing etc.)  
 Contact Factory [mjm@hammondmfg.com](mailto:mjm@hammondmfg.com) for quotes  
 Solid models of this enclosure available in STEP or IGES.  
 (Part number and text placement/orientation on our products are subject to change,  
 we do not recommend using them as a locating reference for modification purposes)

**NOTE**

Purchased assembly includes box, lid and 4 cover screws. Box and Lid are made from Flame retardant ABS with a UL flammability rating of 94 V-0

**Recommended Torque: 42-57 ozf.in (30-40 cN.m)**

PART NUMBERS	
<b>1599E Fire Retardant ABS</b>	
Black FR-ABS	1599EBK
Grey FR-ABS	1599EGY
ACCESSORIES	
Cover Screws (Pkg 100)	1599HMS100 (Grey)
[M3 - 0.5 x 12mm Machine Screws]	1599HMS100BK (Black)
P.C Board Screws (Pkg of 50 or 100)	1593ATS50
[#4 x 1/4" Pan Head Self Tapping Screws]	1593ATS100
Nylon Belt Clip	1599CLIP (Black)
ABS Divider Panel Grey	1599CLIPGY (Grey)
	1599ED

**HAMMOND MANUFACTURING**  
**1599E**  
 www.hammondmfg.com

**Dimensions:**  
 mm  
 [inches]