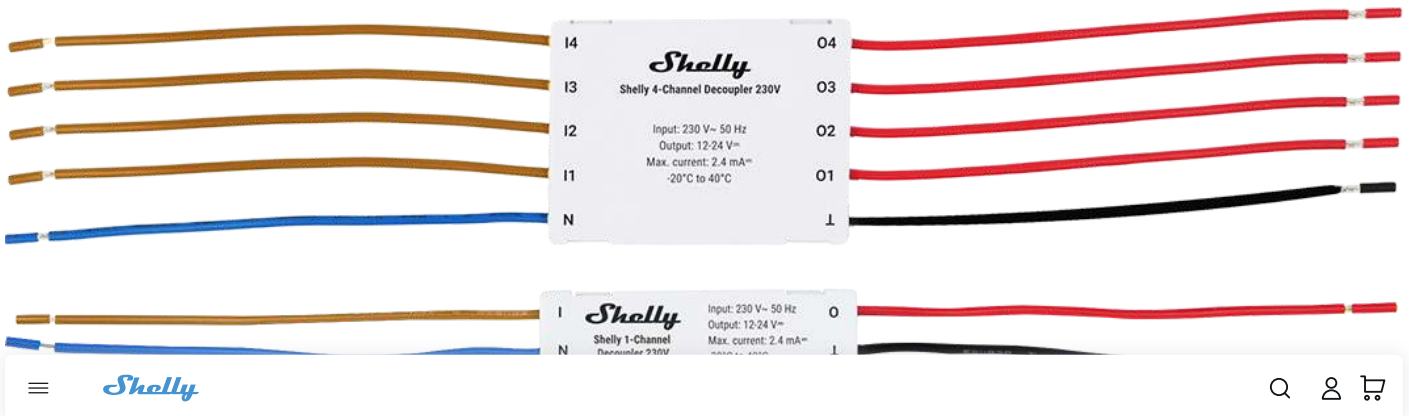


# Shelly 1 Channel Decoupler 230v Shelly 4 Channel D

## Device image



## Device identification

- Device name: Shelly 1-Channel Decoupler 230V
- Device model: N/A
- Device SSID: N/A
- Device name: Shelly 4-Channel Decoupler 230V
- Device model: N/A
- Device SSID: N/A

## Short description

Shelly 1-Channel Decoupler 230V / Shelly 4-Channel Decoupler 230V is an electronic component that interconnects two separate electrical circuits (AC to DC) by means of a light sensitive optical interface (an octocoupler). It is designed for use with Shelly Plus Uni, Plus Add-on, Plus RGBW PM and Pro RGBW PM devices and different controllers, such as switches and buttons. It allows for switching DC inputs using AC supply.

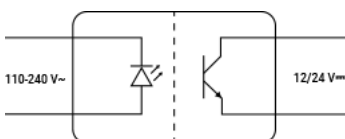
## Main features

- **Isolate and control DC loads:** Use existing AC for triggering inputs on DC devices. Suitable for retrofits, external/specialized switches.

## Use cases

- **Third-party sensor connectivity:** Connect third-party sensors that require/work on/with AC to DC Inputs, for example - PIR, Microwave, Light control, Infrared motion, Hand wave sensors.

## Simplified internal schematics



## Device electrical interfaces

### Shelly 1-Channel Decoupler 230V

#### Inputs

- 2 line inputs on cables: 1 L and 1 N

#### Outputs

- 2 line outputs on cables: 4 L and 4 +

### Shelly 4-Channel Decoupler 230V

#### Inputs

- 2 line inputs on cables: 1 L and 1 N

#### Outputs

- 4 line outputs on cables: 4 L and 4 +

## Supported Shelly devices

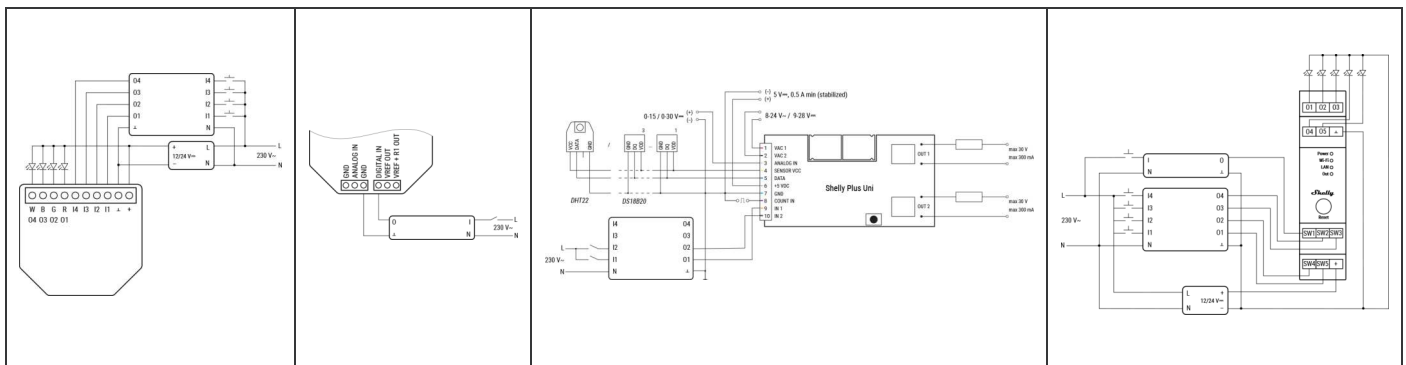
- Shelly Plus RGBW PM
- Shelly Plus Add-On
- Shelly Plus Uni
- Shelly Pro RGBWW PM

## Specifications

Physical	
Size (HxWxD):	<ul style="list-style-type: none"><li>• 48x13x7 mm / 1.89x0.51x0.27 inch (Shelly 1-Channel Decouplers)</li><li>• 44x34x7 mm / 1.73x1.34x0.27 inch (Shelly 4-Channel Decouplers)</li></ul>
Weight:	<ul style="list-style-type: none"><li>• 14 g / 0.49 oz (Shelly 1-Channel Decouplers)</li><li>• 25 g / 0.88 oz (Shelly 4-Channel Decouplers)</li></ul>
Shell color:	<ul style="list-style-type: none"><li>• White (Shelly 1-Channel Decoupler 230V, Shelly 4-Channel Decoupler 230V)</li><li>• Black (Shelly 1-Channel Decoupler 120V, Shelly 4-Channel Decoupler 120V)</li></ul>
Cable length:	80 mm
Stripped length:	5 mm
Wire colors:	<ul style="list-style-type: none"><li>• Brown (I), Blue (N), Red (O), Black (L) (Shelly 1-Channel Decouplers)</li><li>• Brown (I1-I4), Blue (N), Red (O1-O4), Black (L) (Shelly 4-Channel Decouplers)</li></ul>

<b>Environmental</b>	
Ambient working temperature:	0 to 40 °C / 32 to 104°F
Storage temperature:	-20°C to 40°C / -5°F to 105°F
Humidity:	30 % to 70 % RH
Max. altitude:	2000 m / 6562 ft
<b>Electrical</b>	
Power consumption:	< 0.6 W
Input:	<ul style="list-style-type: none"> <li>• 120V~ 60 Hz (Shelly 1-Channel Decoupler 120V, Shelly 4-Channel Decoupler 120V)</li> <li>• 230V~ 50 Hz (Shelly 1-Channel Decoupler 230V, Shelly 4-Channel Decoupler 230V)</li> </ul>
Max. output current:	2.4 mA <sub>DC</sub>

## Basic wiring diagrams



Terminals		Wires	
<i>Shelly Plus RGBW PM terminals</i>		<i>Shelly 1-Channel Decoupler 230V / 4-Channel Decoupler 230V wires</i>	
I1, I2, I3, I4:	Input terminals	I:	AC input wire (Shelly 1-Channel Decoupler 230V)
L:	12/24 = ground terminal	I1, I2, I3, I4:	AC input wires (Shelly 4-Channel Decoupler 230V)
<i>Shelly Plus Add-on terminals</i>		O:	DC output wire (Shelly 1-Channel Decoupler 230V)
DIGITAL IN:	Digital input terminal	O1, O2, O3, O4:	DC output wires (Shelly 4-Channel Decoupler 230V)
GND:	12/24 = ground terminal	N:	Neutral wire

<i>Shelly Plus Uni terminals</i>		<b>J:</b>	12/24 – ground wire
<b>IN1, IN2:</b>	Digital input terminals	<i>Power grid wires</i>	
<b>GND:</b>	12/24 – ground terminal	<b>L:</b>	Live wire (230 V~)
<i>Shelly Pro RGBWW PM terminals</i>		<b>N:</b>	Neutral wire
<b>SW1, SW2, SW3, SW4, SW5:</b>	Input terminals		
<b>⊥:</b>	12/24 – ground terminal		

## Compliance and certification

[Shelly Decoupler multilingual EU declaration of conformity.pdf](#)

## Printed user guide

[Shelly 1-Channel and 4-Channel Decouplers 230V multilingual printed user and safety guide.pdf](#)

Sign up for our newsletter

Enter your email address

„By checking this box, I consent to receive newsletters and marketing information about Shelly products, services and joint campaigns with Shelly's partners via email in accordance with the Privacy policy. I am aware that I can unsubscribe at any time.“






---

Unternehmen

---

Hilfe

---

Mehr erfahren

---

Information

---