

LogiLink®



USB Table Charger 4 Port, 22W

Art. No.: PA0138

PA0138 provides multiple charging solution for households and office. It will solve the need to charge multiple electronics simultaneously, bringing the convenience to your life.

Features:

- » Input: 100-240V AC
- » Output: 5V4.4A (22W) max
- » Supports: OCP, OVP, short circuit protection
- » Built in intelligent IC, compatible with iPhone/iPad/mobile devices/Tablet PC/power banks and other 5V devices
- » LED indication
- » Able to charge 4 devices at the same time
- » Suitable for family gatherings, office meetings and school's classrooms



Specification:

| | |
|-----------------------------|----------------------|
| Input | 100-240VAC 50/60Hz |
| Output | 5V2.4A x4 (4.4A max) |
| Ripple & Noise | ≤200mV |
| USB Port | 4 ports |
| Efficiency | 79.28% |
| Turn On Delay Time | 3s max |
| Operating Temperature Range | 0~40°C |
| Storage Temperature Range | -20°C ~ 80°C |
| Operating Relative Humidity | 5% ~ 90% RH |
| Color | Black |
| Dimension | 92.4 x 57.4 x 29.4mm |
| Weight | 185g |



RoHS
compliant



* The specifications and pictures are subject to change without notice.
* All trade names referenced are the registered namework of their respective owners.



PA0138



Made in China

Best Connectivity

LogiLink®

USB Table Charger 4 Port, 22W

Art. No.: PA0138

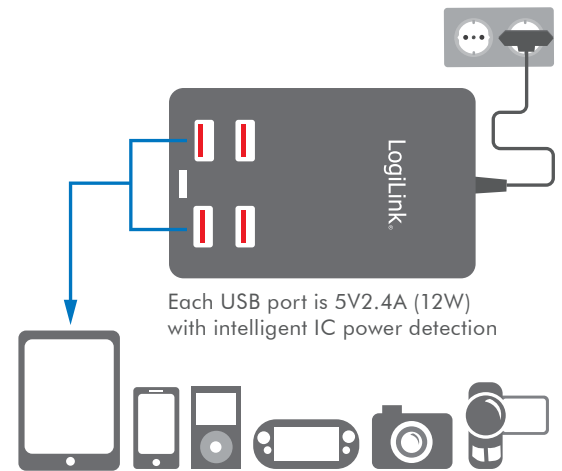


Package Contents:

- » 1 x USB Table Charger
- » 1 x Power Cable
- » 1 x User Manual

Package Informations:

- » Packing Dimension: 170 x 150 x 50mm
- » Packing Weight: kg
- » Carton Dimension: mm
- » Carton Q'ty: pcs
- » Carton Weight: kg



Each USB port is 5V2.4A (12W)
with intelligent IC power detection

Best Connectivity



RoHS
compliant



* The specifications and pictures are subject to change without notice.
* All trade names referenced are the registered trademark of their respective owners.



PA0138



Made in China