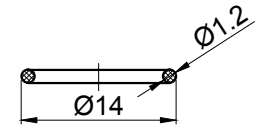
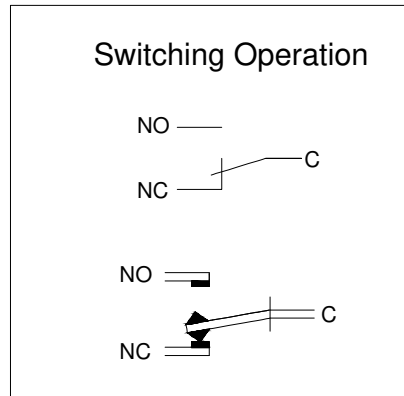


PANEL CUTOUT  
MAX.PANEL THICKNESS  
10 mm



Seal Ring



Part Number: LAS2GQF-□■/◎/☆

"□"	Contact structure
11	1NO1NC
22	2NO2NC

"■"	Operation mode
No Letter	Momentary
Z	Latching

"◎"	Crust material
S	Stainless steel
A	Al alloy (black)
N	Nickel Plated Brass

"☆"	IP Class
No Letter	IP40
P	IP65
FP	IP67

**SPECIFICATIONS:**

1. Switch Rating: AC250V/0.5A, DC110V/0.1A.
2. Mechanical Life: ≥1,000,000 cycles.
3. Electrical Life: ≥50,000 cycles.
4. Contact Resistance: ≤50mΩ.
5. Insulation Resistance: ≥1,000MΩ.
6. Dielectric Strength: 1,500V, RMS 50Hz, 1min.
7. Operating Temperature: -25°C ~ +55°C (No Freezing).
8. Operating Force: About 1.2~1.8N (1NO1NC), About 1.4~2N (2NO2NC).
9. Operating Travel: About 2.3mm.
10. Torque: About 0.6Nm max. applied to nut.
11. Protection degree: IP40/IP65/IP67; IK09.
12. Terminal Type: Pin Terminal (1.8 x 0.4mm).

**MATERIALS:**

1. Contact: Silver alloy.
2. Button: ◎.
3. Body: ◎.
4. Base: PA.

<b>BRAND</b> <b>品牌</b> <b>ONPOW</b>		<b>红波按钮制造有限公司</b> <b>ONPOW PUSH BUTTON MANUFACTURE CO.,LTD.</b>	
THESE DRAWINGS AND SPECIFICATIONS ARE THE PROPERTY OF ONPOW PUSH BUTTON MANUFACTURE CO.,LTD. AND SHALL NOT BE REPRODUCED COPIED OR USED IN ANY MANNER WITHOUT THE PRIOR WRITTEN CONSENT OF ONPOW PUSH BUTTON MANUFACTURE CO.,LTD.		<b>USED</b> <b>用途</b>	APPD 审核 CH 2020/04/23
		<b>FINISH</b> <b>处理</b>	CHKD 校对 NCH 2020/04/23
		<b>SCALE</b> <b>比例</b> 1.4 / 1	<b>UNIT</b> <b>单位</b> mm
		<b>DR.</b> <b>制图</b> ZPD 2020/04/23	
<b>DIMENSIONS</b> <b>TOLERANCE</b>		<b>TITLE</b> <b>名称</b> GQ Series Anti-vandal push button	
0.00 TO 18.00mm    ±0.43mm		DWG NO. <b>图号</b> LAS2GQF	
18.01 TO 30.00mm    ±0.52mm		<b>SIZE</b> <b>图纸</b> A4	
30.01 TO 50.00mm    ±0.62mm			
50.01 TO 80.00mm    ±0.74mm			
<b>FILE NAME</b> <b>档案名称</b> LAS2GQ不带灯.DWG		<b>SHEET</b> <b>张</b> 1 / 1	<b>REV.</b> <b>更改</b> 1