

Datenblatt

DC Power Jack

Vertical Panel Mount

Best. Nr. 450 599

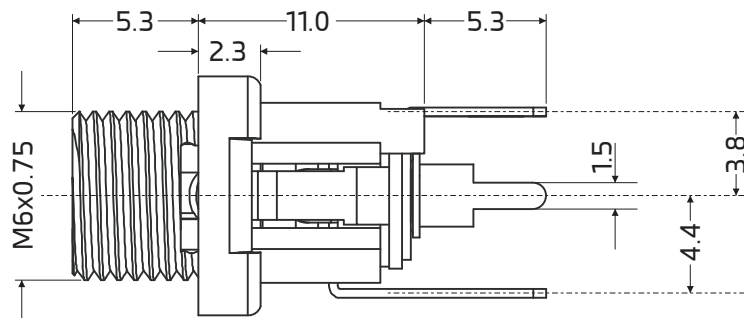
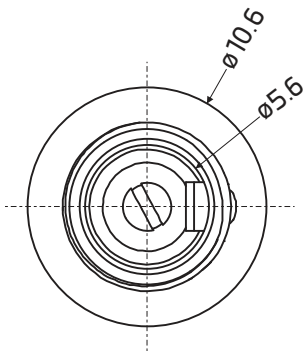
DC Power Jack for plug 5.5/2.5mm, Vertical Panel Mount, P.C.B Terminals



Specification

Material
 Housing: PBT
 Contact Pin: Brass, Nickel plated
 Terminals: Phosphor Bronze, Tin plated
 Current rating: 3A
 Voltage rating: 24 Vdc
 Withstand voltage: 500 Vac/60sec.
 Connector resistance: 30 mΩ max.
 Insulation resistance: 100 MΩ min.
 Operation temperature: -20°C ~ 70°C

Connection type: P.C.B Terminals
 Installation panel Thickness:
 recommended 1.0 ~ 2.0 mm



Dimension: mm±0.2

