



## Ethernet Cable Flat for Window or Door

Part no.: NP0099

### Technical Features

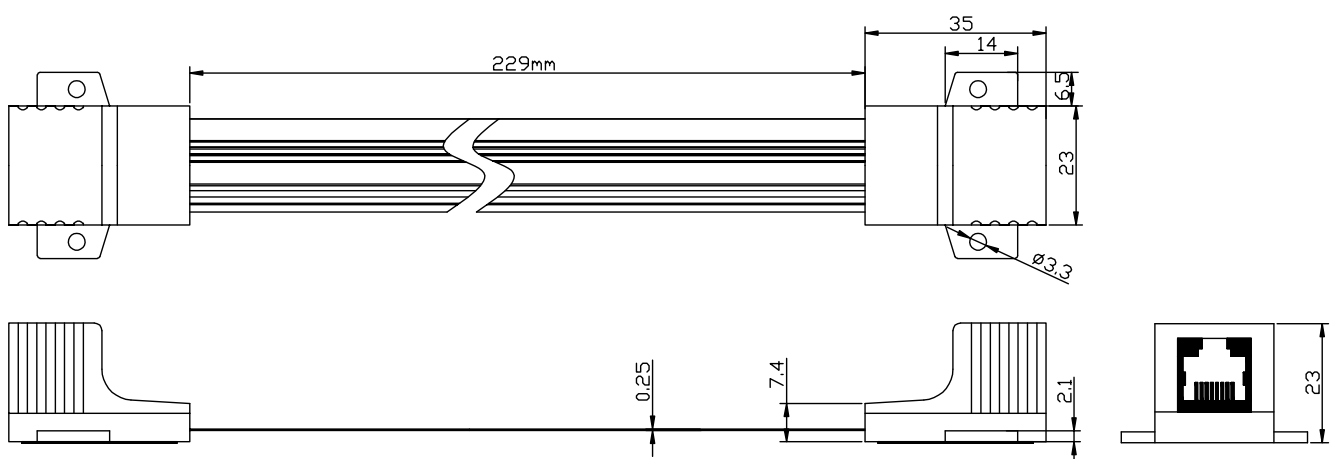
Ultra Slim RJ45 window feed-through

Extremely flat cable, 0,3mm thickness

2 x RJ45 F/F sockets

Screw or adhesive fastening

### Technical Drawings



NP0099



4 052792 045017

Made in China

[www.logilink.com](http://www.logilink.com)



RoHS  
compliant



\* The specifications and pictures are subject to change without notice.  
\*All trade names referenced are the registered trademark of their respective owners.

## Package Contents

Ethernet Cable Flat for Window or Door x 1

## Packaging Informations

Packing Dimension	340 x 60 x 20mm
Packing Weight	0.05kg
Carton Dimension	400 x 400 x 300mm
Carton Q'ty	200pcs
Carton Weight	11.5kg



NP0099



4 052792 045017

Made in China

[www.logilink.com](http://www.logilink.com)



RoHS  
compliant



\* The specifications and pictures are subject to change without notice.  
\*All trade names referenced are the registered namework of their respective owners.