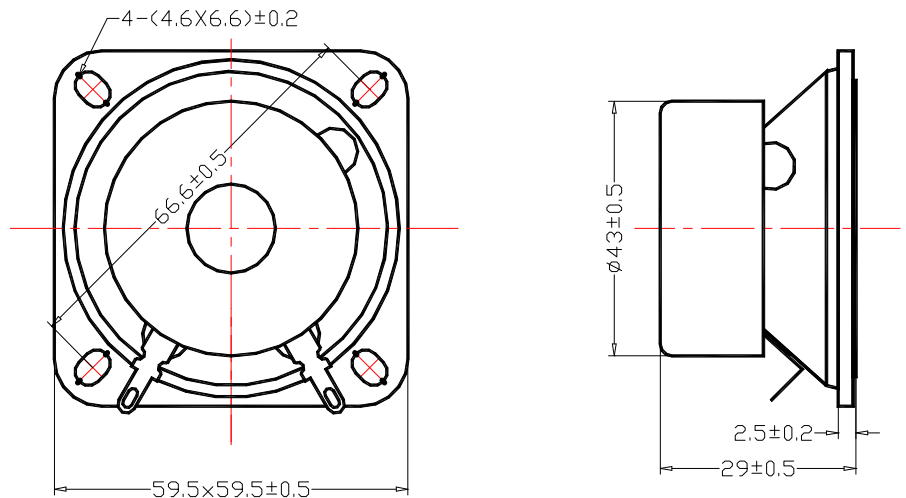
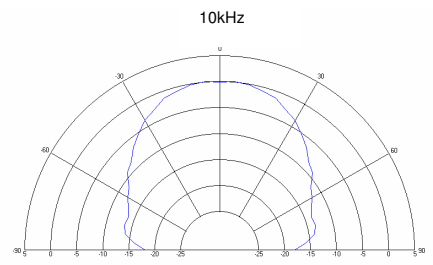
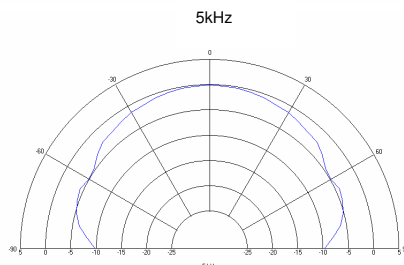
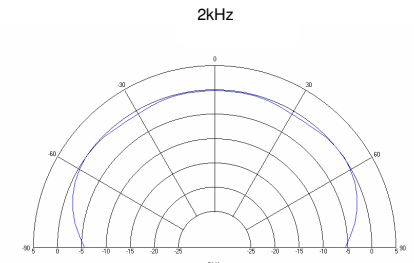
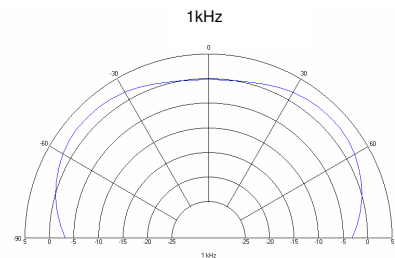


Notes:
57 mm TV – tweeter,
paper cone,
paper dustcap,
paper edge,
paper gasket,
terminals:
“+” 2.8 x 0.5 mm
“-” 2.8 x 0.5 mm



impedance	8 Ω
nom. power:	80 watts*
SPL 1W/1m:	88 dB
fs:	1000 Hz
Re:	6.8 Ω
Le:	0.2 mH
Qms:	4.6
Qes:	6.4
Qts:	2.6
VAS :	-- l
Mms :	-- g
Rms :	-- kg/s
Cms:	-- mm/N
B*I:	-- Tm
Sd:	16.6 cm ²
Xmax:	-- mm
weight:	0.100 kg
magnet:	1 oz
voice coil Ø:	13 mm



* crossover highpass 6000 Hz

TECHNICAL DATA ARE MEASURED WITH ATB – EQUIPMENT ACCORDING EN – 60268 –5.

FOR PRODUCT IMPROVEMENT HKM RESERVES ALTERATIONS IN SPECIFICATIONS AND DESIGN WITHOUT FURTHER ANNOUNCEMENT

FOR TOLERANCES OF TECHNICAL DATA REFER TO HKM 'S MANUAL OF TECHNICAL DATA

FOR INFORMATION CONTACT: TEL.: +49 9073 / 9585 0, FAX.: +49 9073 / 9585 55, E-MAIL: INFO@HKM-GROUP.DE