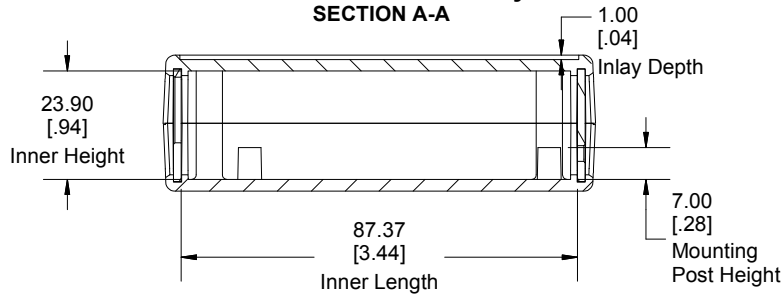
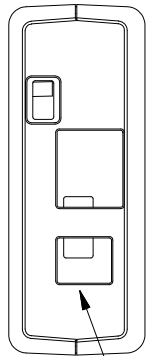


**Side View of Assembly
SECTION A-A**

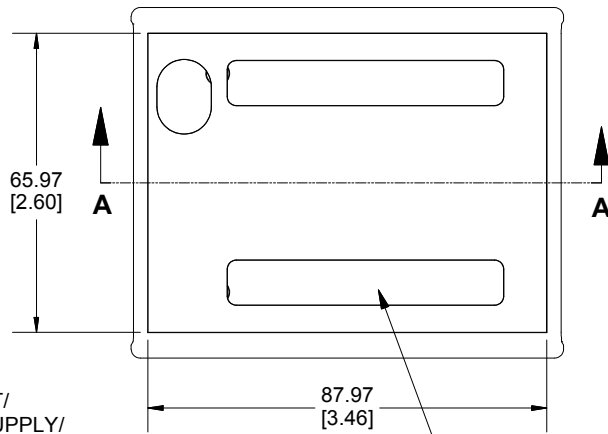


End View of Assembly



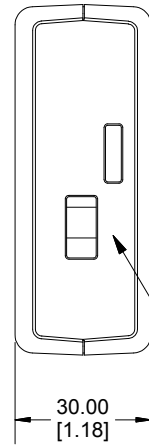
ETHERNET/
POWER SUPPLY/
MINI USB

Top View of Assembly

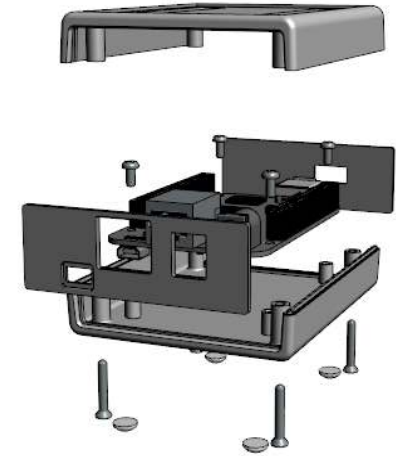


TOP ACCESS CUT-OUTS

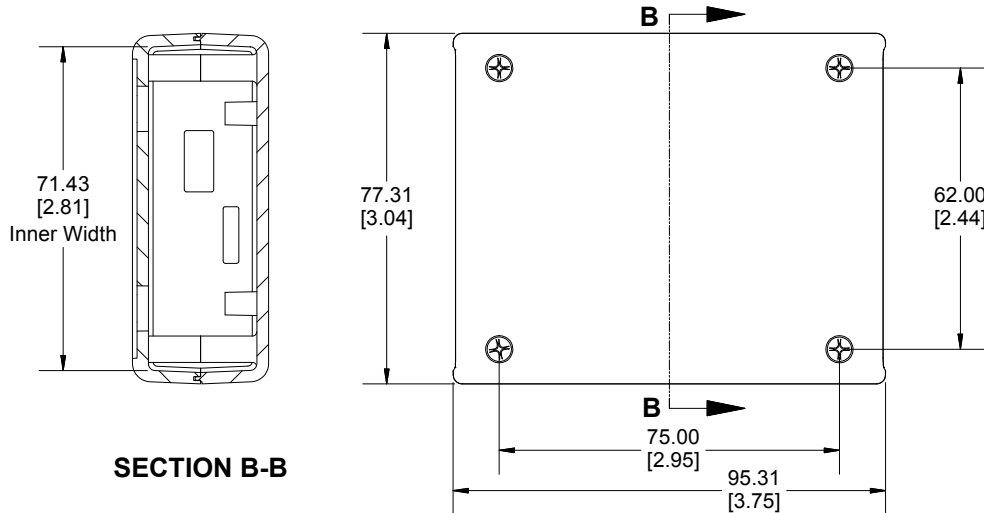
End View of Assembly



USB/
MICRO SD



Bottom View of Assembly



SECTION B-B

NOTE
Purchased assembly includes top and bottom cover, front and rear end panels, 4 cover screws, 4 PCB screws and 4 clear rubber feet. (P.C. Board not included)
Enclosure molded from ABS Plastic.

| PART NUMBERS | |
|----------------------------|---------------|
| 1593HAMDOG Enclosure | |
| Black Enclosure | 1593HAMDOGBK |
| Grey Enclosure | 1593HAMDOGGY |
| Translucent Blue Enclosure | 1593HAMDOGTBU |

**HAMMOND
MANUFACTURING™**

1593HAMDOG

www.hammondmfg.com

Dimensions:
mm
[inches]