

**397** **0%**  
MERCURY

SR726SW (SR59)  
Watch Battery OEM  
Swiss Made

## Technical Data Sheet

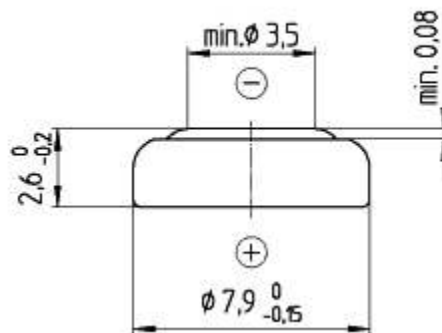
### Specifications

Chemical system	Zinc / Monovalent Silver Oxide, low drain
Nominal Voltage	1,55 V
Capacity	32 mAh, Discharge over 25,5 k $\Omega$ at 20°C to 1,2 V
Operating Temperature*	-10°C – 60°C
Self Discharge	Less than 5% per year at 20°C
Weight	~0,48 g

### Dimensions

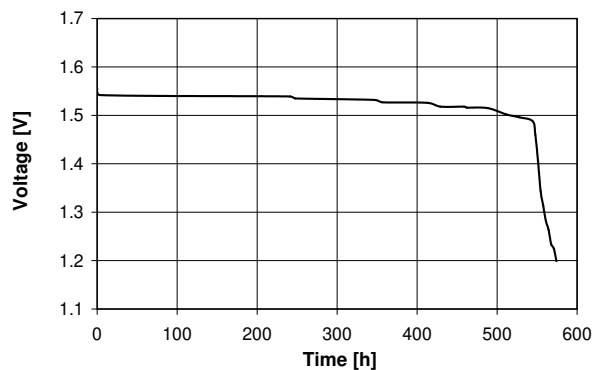
(according IEC 60086-3)

Diameter	7,90 mm (0,457")
Height	2,60 mm (0.102")



### Discharge Curve

Constant Load	25,5 k $\Omega$
Starting Drain	60,7 $\mu$ A
Temperature	20°C



\*Condensing humidity not allowed

Information and contents in this data sheet are for reference purpose only. They do not constitute any warranty or representation and are subject to change without notice. For most current information and further details, please contact your Renata representative. For safety related information please consult the PSDS document related to that product or product family. The Products of Renata SA are neither designed nor authorized for use in certain areas of application of environment. For further details we refer to our webpage [www.renata.com/downloads/restriction\\_of\\_use](http://www.renata.com/downloads/restriction_of_use)

Rev. 397MF\_OEM.07 2019/08