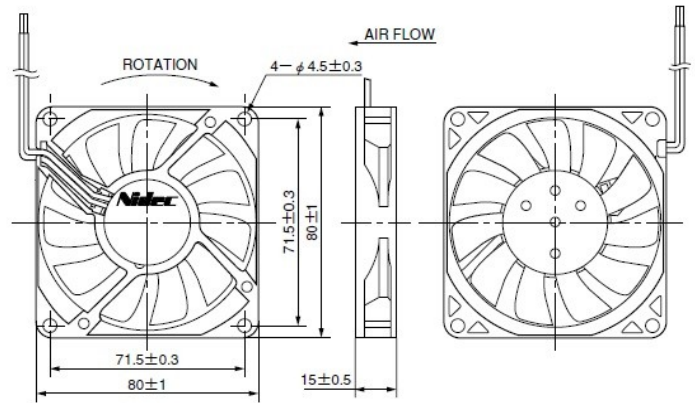


● External Dimensions



HOUSING : Plastic (UL : V-0)
 IMPELLER : Plastic (UL : V-0)
 BEARING : NBR Type
 PROTECTION : Current limit
 OPERATING TEMP : $-10^{\circ}\text{C} \sim 70^{\circ}\text{C}$
 MASS : 55g

* In case of models with sensors, UL 1007 AWG 26 leads should be used for fans.

■ Major Characteristic Parameters

Model	Rated Voltage (V)	Rated Current (A)	Maximum Air Flow (m^3/min)	Maximum Static Pressure (Pa)	Rated Input Power (W)	Sound Level (dBA) *	Rated Speed (min^{-1})
D08R-12TL (UX)	12	0.08	0.62	15	0.96	24	2100
D08R-24TL (UX)	24	0.06	0.62	15	1.44	24	2100
D08R-12TM (UX)	12	0.12	0.77	22	1.44	29	2550
D08R-24TM (UX)	24	0.08	0.77	22	1.92	29	2550
D08R-12TH (UX)	12	0.17	0.97	32	2.04	34	3100
D08R-24TH (UX)	24	0.10	0.97	32	2.40	34	3100

* Sound level is measured at the distance of one (1) meter from the axis of fan intake.

● Performance Curves

