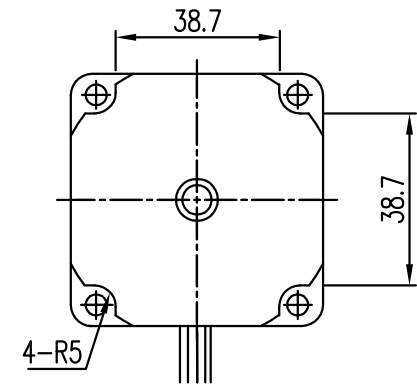
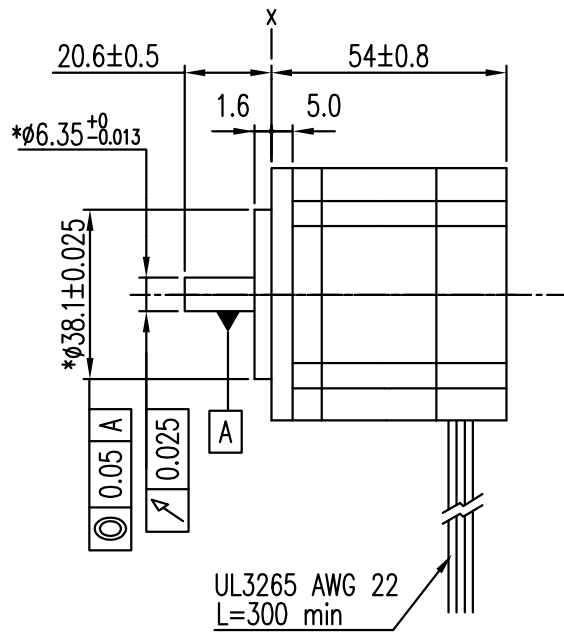
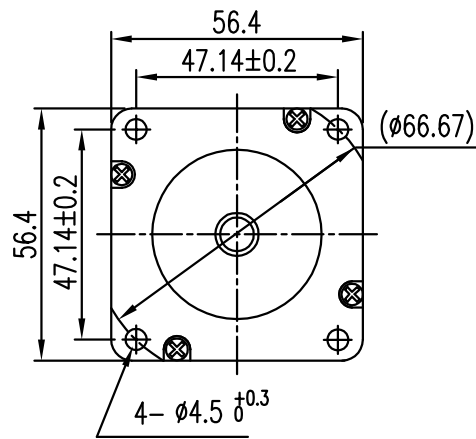


DIMENSION (UNIT : mm)



SPECIFICATION

RATED VOLTAGE (VM)DC	3.4
AMPS/PHASE	2.0
RESISTANCE /PHASE Rm (Ohms)@25°C	1.7±15%
INDUCTANCE/PHASE.mH @1KHz	3.6±20% *
STEP ANGLE (DEG)	1.8 *
STEP ACCURACY (NON-ACCUM)	±5%
HOLDING TORQUE (Kg-cm)	7.4
ROTOR INERTIA (g-cm ²)	290 *
WEIGHT (g)	710
MAXIMUM STARTING PULSE RATE/pps	1080
TEMPERATURE RISE	MAX.80°C
INSULATION RESISTANCE	100M ohm
DIELECTRIC STRENGTH	500VAC FOR ONE MINUTE
AMBIENT TEMPERATURE	0°C ~ 50°C

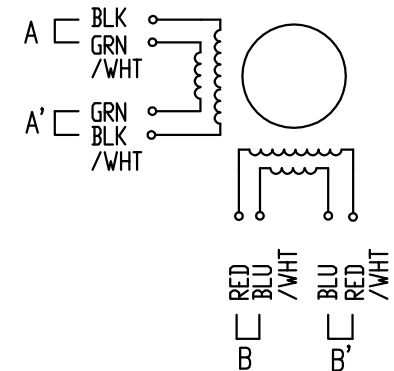
NOTES:

1. SHAFT RADIAL PLAY 0.02mm MAX.@450g LOAD.
2. SHAFT AXIAL PLAY 0.075mm MAX.@1Kg LOAD.
3. END CAPS TO BE PAINTED BLACK.
4. * MEANS IMPORTANT ITEM.

FULL STEP 2 PHASE-Ex.,
WHEN FACING MOUNTING END (X)

STEP	A	B	A'	B'	CCW
1	+	+	-	-	↑
2	-	+	+	-	
3	-	-	+	+	↓
4	+	-	-	+	

*WIRING DIAGRAM



ST5818M2008-A

SCALE FREE	APVD	
X ±0.5	CHKD	
1PL ±0.2	DRN	04.11.04
2PL ±0.1	SIGNATURE	DATE
ANGLE ±30'		

STEPPING MOTOR

DWG.NO
ST5818M2008-A_Z01

REV	DESCRIPTION	DATE	APVD